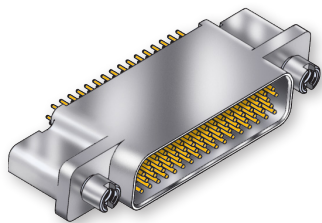




790-043P
Straight PCB Terminated
Free-Standing Receptacle, Pin Contacts
How To Order

790-043P Straight PCB Free-Standing Receptacles
PIN CONTACTS WITH STRAIGHT PCB TERMINATION



790-043P connectors feature thru-hole termination to rigid or flexible circuits. These free-standing vertical mount headers mate with 790-025S cable connectors. 29 contact arrangements include size #16 and #12 power contacts for maximum design flexibility. Contacts are epoxy encapsulated and are non-removable. Fluorosilicone face seal provides watertight sealing when mated. One-piece machined aluminum shell has threaded holes for board attachment.

HOW TO ORDER

Sample Part Number

790-043P

K-9P9

M

P

A

Part Number

**Shell Size -
Insert
Arrangements**

Shell Finish

Hardware Option

PC Tail Length

790-043P

Receptacle with Straight
PC Tail Pin Contacts for
Termination to Backplanes
or Flexible Circuits

See Table 1 for
Available Insert
Arrangements

M

Electroless Nickel
general purpose applications

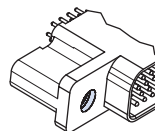
MT

Nickel-PTFE
1000 Hour Grey™
*maximum corrosion protection
and durability
(non-reflective grey)*

ZNU

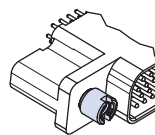
Zinc-Nickel with Black
Chromate
*tactical applications
(non-reflective black)*

Additional shell finishes are
listed on page C-9.



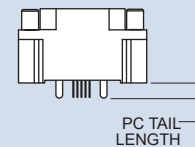
N

No Hardware



P

Female Jackpost



SPECIFICATIONS

Current Rating	#23 5 AMPS, #16 13 A., #12 23 A.
Dielectric Withstanding Voltage	#23 500 VAC RMS, #12 and #16 1800 VAC RMS
Insulation Resistance	5000 megohms minimum
Operating Temperature	-65° C. to +150° C.
Shock	300 g.
Vibration	37 g.

MATERIALS AND FINISHES

Shell	Aluminum alloy
Contacts	Copper alloy, 50 microinches gold plated
Insulators	Liquid crystal polymer (LCP)
Interfacial Seal	Flourosilicone rubber
Jackpost	300 series stainless steel
Encapsulant	Epoxy

Dimensions in Inches (millimeters) are subject to change without notice.

790-043P
Straight PCB Terminated
Free-Standing Receptacle, Pin Contacts
How To Order



Table Contact Arrangements

Layout	Contact Quantity			Face View
	#23	#16	#12	
A-5	5			
B-2P2		2		
B-9	9			
C-13	13			
D-15	15			
D-3P3		3		
D-7P2	5	2		
E-11P2	9	2		
E-19	19			
E-7P3	4	3		
F-15P2	13	2		
F-23	23			
F-5P5		5		
G-33	33			
H-10P4	6	4		
H-29P7	22	7		
H-36P2	34	2		
H-54P2	52	2		
H-5P5			5	
H-66	66			
J-17P4	13	4		
J-25P2	23	2		
J-33	33			
J-7P7		7		
K-27P4	23	4		
K-35P2	33	2		
K-43	43			
K-9P9		9		
L-6P6			6	
L-78	78			
M-102	102			

CROSS-SECTIONAL VIEW OF 790-043P

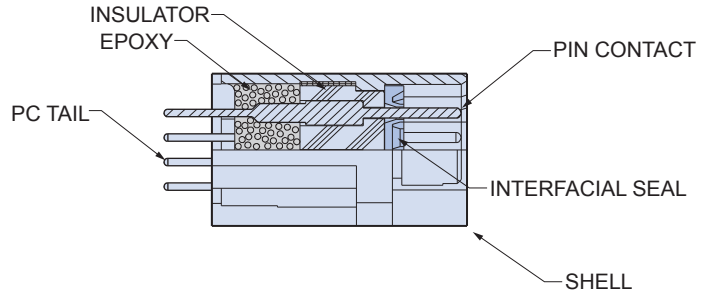
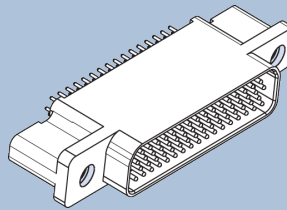


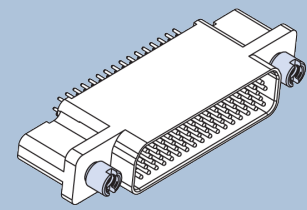
TABLE 2 HARDWARE OPTION



N

No Mating Hardware

Connector is supplied with threaded holes. Shell size M has #8-32 threads, shell sizes H and L have #6-32 threads, other sizes have #4-40 threads. Thread depth is .150" (3.8).



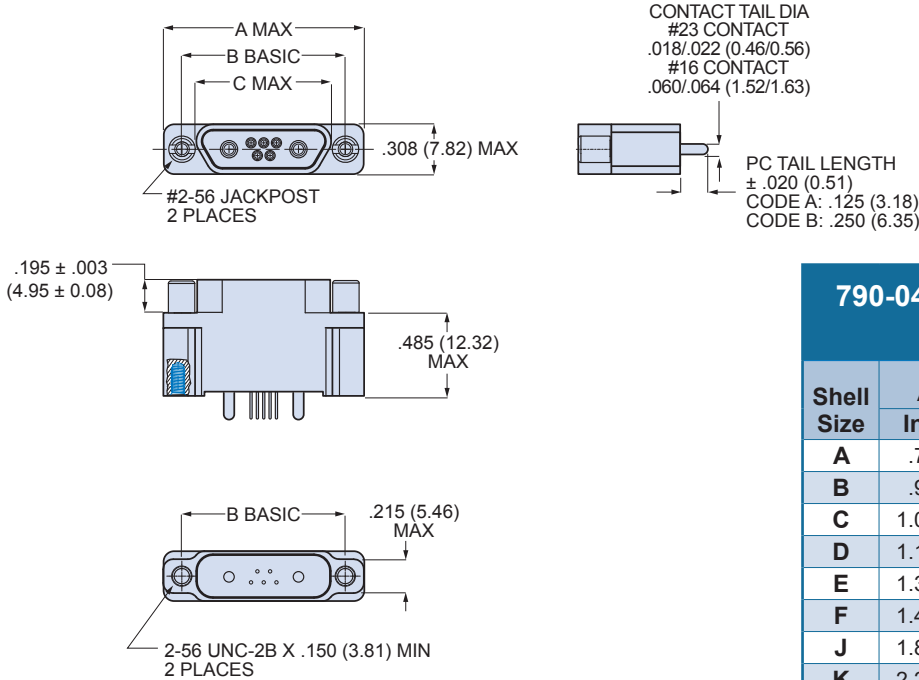
P

Jackposts

Connector is supplied with non-removable stainless steel jackposts. Shell size M has #6-32 threads, shell sizes H and L have #4-40 UNC thread, other sizes have #2-56 thread.

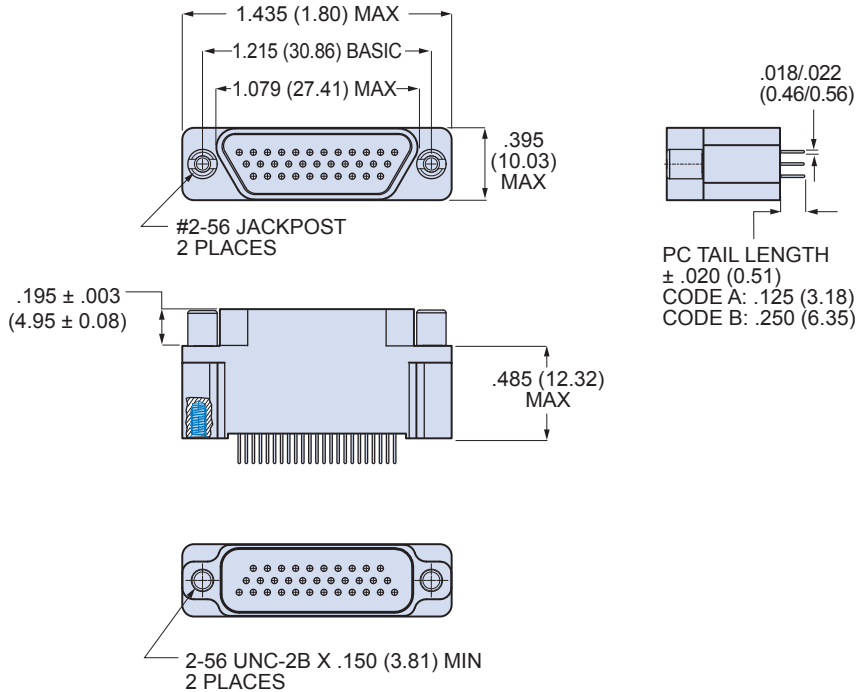
Dimensions in Inches (millimeters) are subject to change without notice.

790-043P Shell Size A-G, J and K Dimensions



790-043P SHELL SIZE A-K, J & K DIMENSIONS						
Shell Size	A Max.		B Basic		C Max.	
	In.	mm.	In.	mm.	In.	mm.
A	.785	19.94	.565	14.35	.400	10.16
B	.935	23.75	.715	18.16	.551	14.00
C	1.085	27.56	.865	21.97	.701	17.81
D	1.185	30.10	.965	24.51	.801	20.35
E	1.335	33.91	1.115	28.32	.951	24.16
F	1.485	37.72	1.265	32.13	1.101	27.96
J	1.845	46.86	1.615	41.02	1.460	37.08
K	2.240	56.90	2.015	51.18	1.860	47.24

790-043P Shell Size G Dimensions

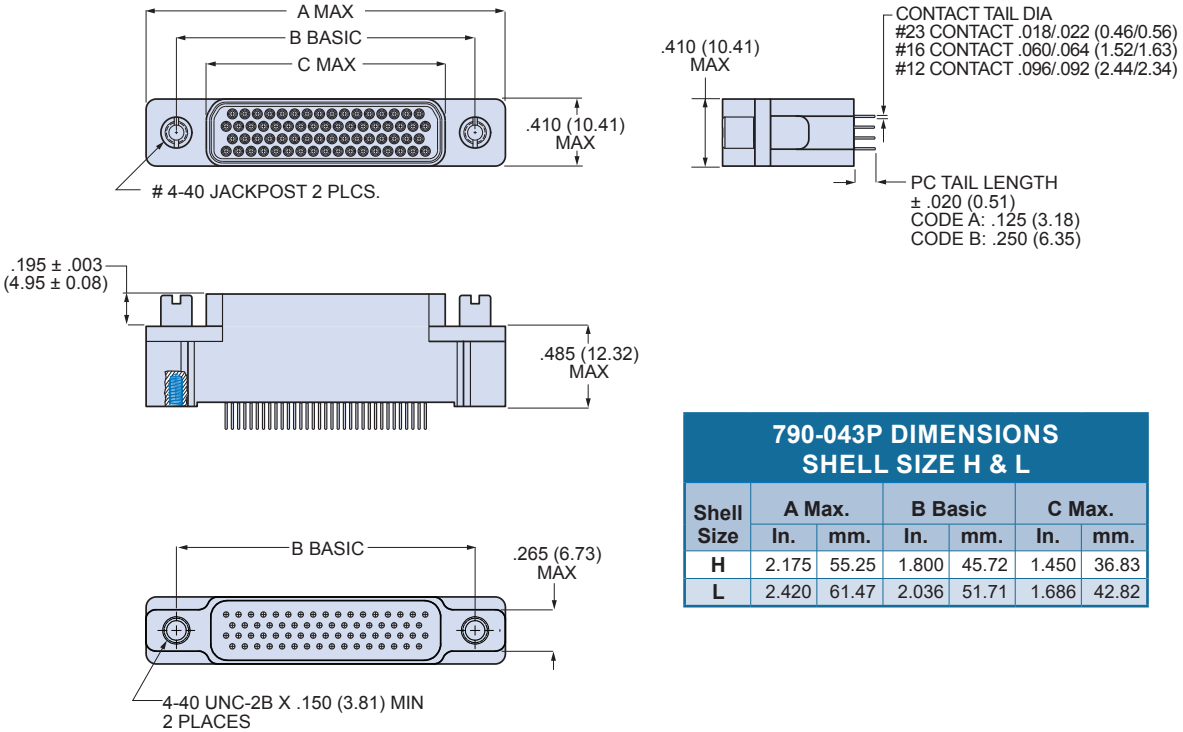


Dimensions in Inches (millimeters) are subject to change without notice.

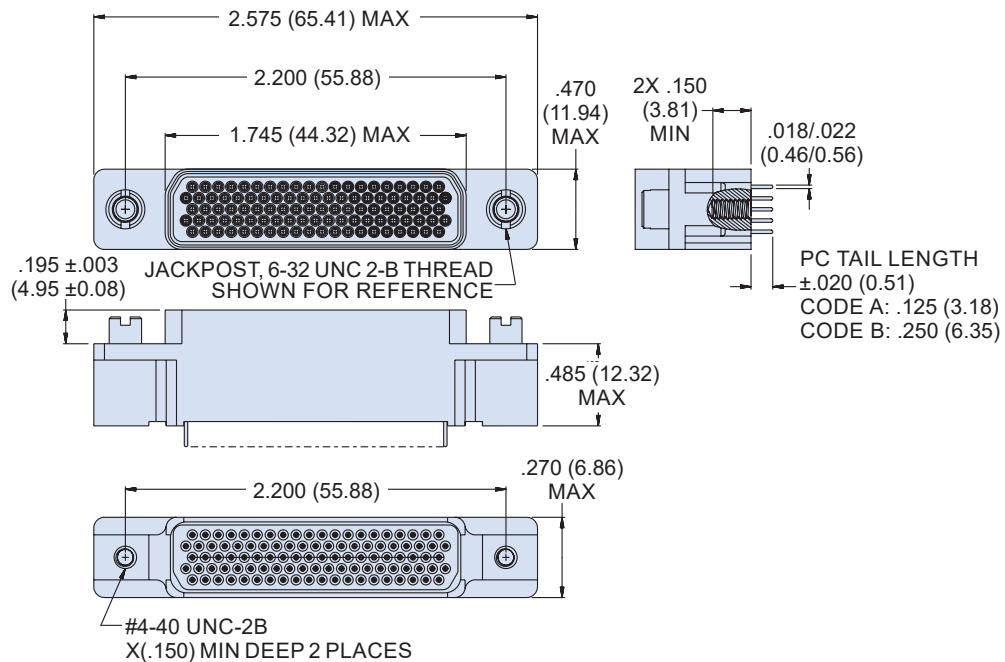
790-043P
Straight PCB Terminated
Free-Standing Receptacle, Pin Contacts
Dimensions



790-043P Shell Size H and L Dimensions



790-043P Shell Size M Dimensions



Dimensions in Inches (millimeters) are subject to change without notice.

X-ON Electronics

Largest Supplier of Electrical and Electronic Components

Click to view similar products for [D-Sub Micro-D Connectors](#) category:

Click to view products by [Glenair](#) manufacturer:

Other Similar products are found below :

[89076GBEPR](#) [65-1920-15](#) [M83513/03-G05N](#) [M83513/03-G09N](#) [M83513/04-G04C](#) [6R2004A30F015](#) [703006A13F060](#) [704002A03F200](#)
[705001A13F120](#) [71-147714-19P](#) [7-1532020-5](#) [748567-1-P](#) [MDB1-31SH003](#) [MDB1-9SH001](#) [MDM-100PH003L](#) [MDM100PH006B](#)
[MDM100SH006B](#) [MDM-15PCBRM7T](#) [MDM15PH006LA174](#) [MDM-15PH006P-A174](#) [MDM-15SH001L](#) [MDM-15SH003A](#) [MDM-](#)
[15SH004B](#) [MDM-15SH006A-A174](#) [MDM-21PH001F](#) [MDM-21PH003P](#) [MDM21SH003BA174](#) [MDM21SH003P](#) [MDM-21SH003P-A174](#)
[MDM-25PH005K](#) [MDM-25PHW01F-A174](#) [MDM-25SH001F-A174](#) [MDM-25SH003F](#) [MDM-25SH003K](#) [MDM-25SH006K](#) [MDM-](#)
[31PH006B](#) [MDM31SH001F](#) [MDM-31SH003F](#) [MDM-31SH006F-A174](#) [MDM-31SH006P-A174](#) [MDM-31SH011F-A174](#) [MDM-31SH011P-](#)
[A174](#) [MDM-37PH006L-A174](#) [MDM-37PH048M5-A174](#) [MDM-37SCBRP-A174](#) [MDM-37SH003K](#) [MDM-51PH003B-A174](#) [MDM-](#)
[51PH003F](#) [MDM51PH016FA174](#) [MDM-51PSF](#)