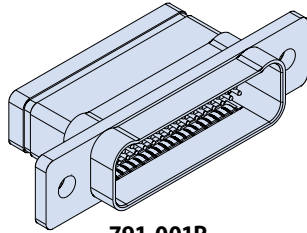
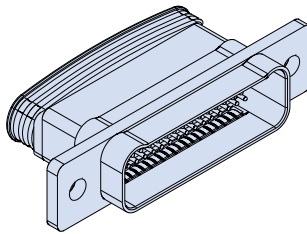


## Cable Connectors with Crimp-and-Poke Contacts

### 791-001P, 791-002P Receptacle Connectors with Pin Contacts

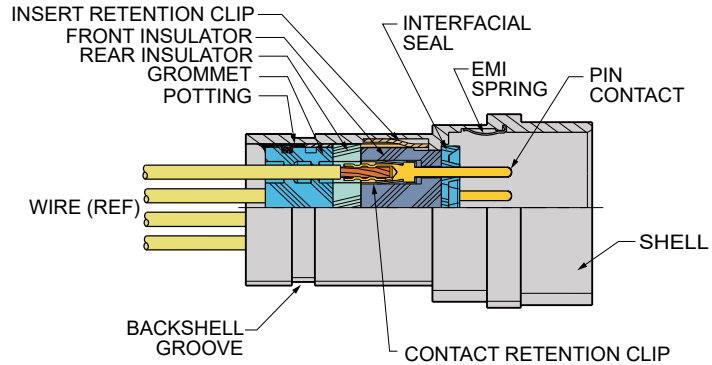


**791-001P**  
With Backshell Groove



**791-002P**  
With Integral Banding Platform

**Harsh environment. Rugged construction. Ultriminiature.** Series 791 connectors save size and weight compared to M24308 D Subminiature and other rack-and-panel connectors. Crimp, snap-in machined socket contacts. Ruggedized dual lobe shell, recessed pins and ground spring for improved shielding.



#### RELIABLE DESIGN

- 100% scoop-proof
- Snap-in, rear release contacts

#### VERSATILE

- Wide range of configurations
- Signal, power, RF, datalink
- Banding platform

#### HARSH ENVIRONMENT

- Humidity, water ingress
- Shock and vibration
- Temperature extremes
- Corrosion resistance
- High altitude

#### SIZE AND WEIGHT SAVING

- High density

#### How To Order

Sample Part Number	791-001P	M-102	MT	E	S
<b>Product</b>	791-001P = Cable Receptacle, Pin Contacts, Backshell Groove 791-002P = Cable Receptacle, Pin Contacts, Integral Banding Platform				
<b>Arrangement Number (Shell Size - Insert Arr.)</b>	See Table 2				
<b>Shell Finish</b>	M = Electroless Nickel MT = Nickel-PTFE ZR = Black Zinc-Nickel				
<b>EMI Spring</b>	E = EMI spring N = No EMI spring				
<b>Hardware Option (Table 1)</b>	N = Thru-Hole (no hardware) S = Low Profile Screwlock, Hex Head T = Extended Screwlock, Slot Head L = Low Profile Jackscrew, Hex Head K = Extended Jackscrew, Slot Head P = Jackpost				

#### Specifications

- **Operating temperature:** -65 to +150°C
- **Current and voltage ratings:**

Contact Size	Amps, max.	DWV Vac rms
23	5	750
16	13	1800
12	23	1800
8	46	1800

- **Shock:** EIA-364-27 condition D
- **Vibration:** EIA-364-28 condition V, letter E
- See pages 8-10 for additional information

#### Construction

- **Shell:** aluminum alloy
- **Insulators:** high grade rigid dielectric
- **Contacts:** copper alloy, 50 microinches gold over nickel plating
- **Interfacial seal:** fluorosilicone blend
- **Wire grommet:** fluorosilicone blend
- **Contact retention clip, insert retention clip:** beryllium copper
- **EMI spring:** beryllium copper, nickel plated
- **Hardware:** 300 series stainless steel, passivated

#### Wire Accommodation

Contact Size	Wire Range AWG
23	22 – 28
16	16 – 20
12	12 – 14
8	8

### Cable Connectors with Crimp-and-Poke Contacts

#### 791-001P, 791-002P Receptacle Connectors with Pin Contacts

Table 1 Hardware Option

Thread Sizes					
Hardware thread sizes vary by shell size. Shell sizes A, B, C, D, E, F, G, J, K have #4-40 UNC-2 thread, shell sizes H and L have #6-32 UNC-2 thread, shell size M has #8-32 UNC-2 thread.					
<p><b>N</b> <b>No Hardware</b> Mounting flange has thru-holes.</p>	<p><b>P</b> <b>Jackpost</b> Supplied loosely assembled with nut and split washer. Stainless steel.</p>	<p><b>L</b> <b>Low Profile Jackscrew</b> Non-removable, hex head. Stainless steel.</p>	<p><b>K</b> <b>Extended Jackscrew</b> Slot head, stainless steel, non-removable.</p>	<p><b>S</b> <b>Low Profile Screwlock</b> Hex head, stainless steel, non-removable. Screwlocks allow the connector to be mated before the screws are fastened.</p>	<p><b>T</b> <b>Extended Screwlocks</b> Slot head, stainless steel, non-removable. Screwlocks allow the connector to be mated before the screws are fastened.</p>

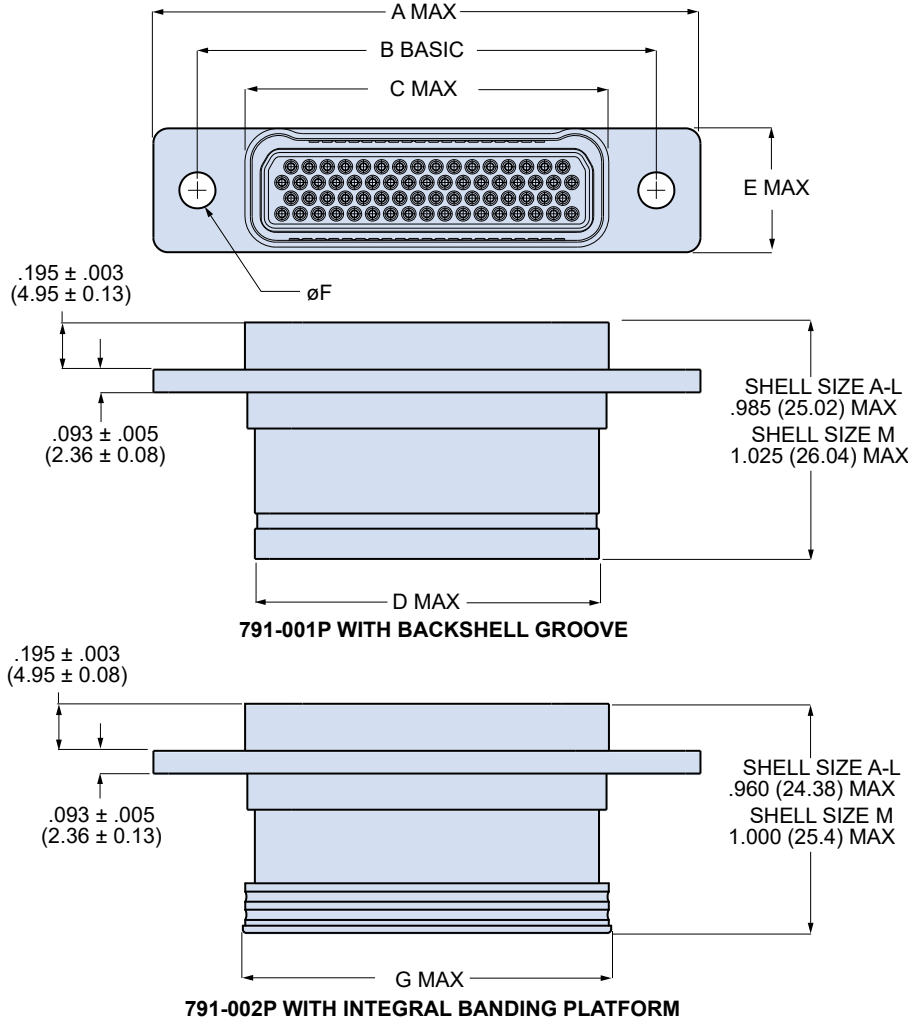
Table 2 Arrangement Number

Change the "P" to a "W" in any combo arrangement to delete power contacts. For example, arrangement **H-10P4** is supplied with a total of 10 contacts including (4) #12 power pins and (6) signal pins. Arrangement **H-10W4** is supplied with (6) signal pins and no power pins. Order coax contacts separately.

Arrangements with Size #23 Contacts	Arrangements with Size #16 Contacts	Arrangements with Size #12 Contacts
<b>A-5</b> 5 #23 <b>B-9</b> 9 #23 <b>C-13</b> 13 #23 <b>D-15</b> 15 #23 <b>E-19</b> 19 #23 <b>F-23</b> 23 #23 <b>G-33</b> 33 #23 <b>H-66</b> 66 #23 <b>J-33</b> 33 #23 <b>K-43</b> 43 #23 <b>L-78</b> 78 #23 <b>M-102</b> 102 #23	<b>B-2P2</b> 2 #16 <b>D-3P3</b> 3 #16 <b>D-7P2</b> 5 #23, 2 #16 <b>E-11P2</b> 9 #23, 2 #16 <b>E-7P3</b> 4 #23, 3 #16 <b>F-14P3</b> 11 #23, 3 #16 <b>F-15P2</b> 13 #23, 2 #16 <b>F-5P5</b> 5 #16 <b>H-29P7</b> 22 #23, 7 #16 <b>H-54P2</b> 52 #23, 2 #16 <b>J-17P4</b> 13 #23, 4 #16 <b>J-25P2</b> 23 #23, 2 #16 <b>J-7P7</b> 7 #16 <b>K-27P4</b> 23 #23, 4 #16 <b>K-35P2</b> 33 #23, 2 #16 <b>K-9P9</b> 9 #16 <b>M-17P17</b> 17 #16	<b>G-13P2</b> 11 #23, 2 #12 <b>G-3P3</b> 3 #12 <b>G-21P1</b> 20 #23, 1 #12 <b>H-10P4</b> 6 #23, 4 #12 <b>H-36P2</b> 34 #23, 2 #12 <b>H-5P5</b> 5 #12 <b>L-6P6</b> 6 #12 <p><b>Arrangements with Size #8 Contacts</b></p> <b>M-4P4</b> Supplied with 4 #8 Power Contacts <b>M-4W4</b> Contacts ordered separately, dielectric insert <b>M-4G4</b> contacts ordered separately, metal insert

### Cable Connectors with Crimp-and-Poke Contacts

#### 791-001P, 791-002P Receptacle Connectors with Pin Contacts



Crimp Tools			
Contact Size	Crimper	Positioner	Die
23	809-015 (M22520/2-01)	809-005 (no mil spec #)	(not required)
16	809-136 (M22520/1-01)	809-137 (M22520/1-04)	(not required)
12	809-136 (M22520/1-01)	809-137 (M22520/1-04)	(not required)
8	859-025 (M22520/23-01)	859-046 (WA23-395L)	859-026 (M22520/23-02)

Note: see "Contacts and Tools" section for additional information

Insertion/Removal Tools	
Contact Size	Insertion/Removal Tool
23	809-088 (no mil spec #)
16	809-131 (M81969/14-03)
12	809-132 (M81969/14-04)
8	859-049 (M81969/14-12)

**Band-Master® Shield Termination**

790-002P receptacles with integral banding platform are for use with Glenair **Band-Master®** micro-bands and installation tools.

791-001P and 791-002P Dimensions

Shell Size	A Max		B Basic		C Max		D Max		E Max		F Dia ±.004 (0.10)		G Max ±.010 (0.25)	
	In.	mm.	In.	mm.	In.	mm.	In.	mm.	In.	mm.	In.	mm.	In.	mm.
<b>A</b>	1.040	26.42	.750	19.05	.490	12.45	.390	9.91	.415	10.54	.149	3.78	.440	11.18
<b>B</b>	1.190	30.23	.900	22.86	.640	16.26	.540	13.72	.415	10.54	.149	3.78	.590	14.99
<b>C</b>	1.340	34.04	1.050	26.67	.790	20.07	.690	17.53	.415	10.54	.149	3.78	.740	18.80
<b>D</b>	1.415	35.94	1.125	28.58	.865	21.97	.790	20.07	.415	10.54	.149	3.78	.840	21.34
<b>E</b>	1.565	39.75	1.275	32.39	1.015	25.78	.940	23.88	.415	10.54	.149	3.78	.990	25.15
<b>F</b>	1.715	43.56	1.425	36.20	1.165	29.59	1.090	27.69	.415	10.54	.149	3.78	1.140	28.96
<b>G</b>	1.678	42.62	1.388	35.26	1.127	28.63	1.090	27.69	.500	12.70	.149	3.78	1.130	28.70
<b>H</b>	2.275	57.79	1.900	48.26	1.516	38.51	1.440	36.58	.520	13.21	.172	4.37	1.525	38.74
<b>J</b>	2.090	53.09	1.800	45.72	1.540	39.12	1.450	36.83	.415	10.54	.149	3.78	1.490	37.85
<b>K</b>	2.465	62.61	2.175	55.25	1.915	48.64	1.840	46.74	.415	10.54	.149	3.78	1.890	48.01
<b>L</b>	2.511	63.78	2.136	54.26	1.752	44.50	1.675	42.55	.520	13.21	.172	4.37	1.760	44.70
<b>M</b>	2.580	65.53	2.200	55.88	1.815	46.10	1.740	44.20	.635	16.13	.200	5.08	1.825	46.36

## X-ON Electronics

Largest Supplier of Electrical and Electronic Components

*Click to view similar products for [D-Sub Micro-D Connectors](#) category:*

*Click to view products by [Glenair](#) manufacturer:*

Other Similar products are found below :

[89076GBEPR](#) [65-1920-15](#) [M83513/03-A10N](#) [M83513/03-G12N](#) [M83513/04-E15N](#) [M83513/04-G04C](#) [664020C06F060](#) [6R2004A30F015](#)  
[6R4006A28A120](#) [703006A13F060](#) [704002A03F200](#) [705001A13F120](#) [71-147714-19P](#) [7-1532020-5](#) [748567-1-P](#) [MDB1-9SH001](#) [MDM-](#)  
[100PH003L](#) [MDM-15PBS-L58](#) [MDM-15PCBRM7T](#) [MDM-15PH001M7-A174](#) [MDM-15PH003B-A174](#) [MDM-15SH001L](#) [MDM-](#)  
[15SH003A](#) [MDM-15SH004B](#) [MDM-15SH006A-A174](#) [MDM-15SH048B](#) [MDM-25PH003B-A174](#) [MDM-25SH003F](#) [MDM-25SH003K](#)  
[MDM-31PH003L](#) [MDM-37PH006L-A174](#) [MDM-37SH003K](#) [MDM51PH016FA174](#) [MDM-51PSF](#) [MDM-9PH003M7](#) [MDM-9PH003P-A174](#)  
[MDM-9SH001P](#) [MDM-9SH006B](#) [790-027SH-10P4MEP](#) [790-041PJ-25P2MPA](#) [790-043PJ-7P7MPB](#) [791-004SH-66MSA](#)  
[7R3A00A19A1201](#) [7R5006A19A120](#) [803000C02M020](#) [803001B02M040](#) [803001D01M040](#) [8030N1A09M020](#) [804001B03M100](#)  
[804006B03M100](#)