

**799-015**  
**Low Profile EMI Backshell**  
**for 790-024 and 790-025 Cable Connectors**  
**How To Order**



## 799-015 Low Profile EMI Backshell

### FOR 790-024 AND 790-025 CABLE CONNECTORS



Attach cable braid to connector with 799-015 adapters. These adapters fit securely into a groove on 790-024 and 790-025 cable connectors. Terminate shields with **BAND-IT**® 300 Series SST/Passivate I.A.W. AMS 2700. Elliptical cable entry provides room for large wire bundles. Machined T6061 aluminum adapters consist of two interlocking housings, two fillister head screws and two lockwashers. These lightweight, space-saving adapters are compatible with captive screws on connector flange. This adapter is non environmental. Fill with potting compound to prevent water intrusion.

#### How To Order

Sample Part Number																																																																																													
799-015T	M	B	02	N	02																																																																																								
Part Number	Shell Finish	Shell Size	Cable Entry Size	Band Option	Optional Height Code*																																																																																								
<p><b>799-015T</b> Top Entry</p> <p><b>799-015S</b> Side Entry</p>	<p style="text-align: center;"><b>M</b></p> <p style="text-align: center;">Electroless Nickel <i>general purpose applications</i></p> <p style="text-align: center;"><b>MT</b></p> <p style="text-align: center;">Nickel-PTFE <i>1000 Hour Grey™ maximum corrosion protection and durability (non-reflective grey)</i></p> <p style="text-align: center;"><b>ZNU</b></p> <p style="text-align: center;">Zinc-Nickel with Black Chromate <i>tactical applications (non-reflective black)</i></p> <p style="text-align: center;">Additional shell finishes are listed on page C-9.</p>	<p style="text-align: center;"><b>A</b></p> <p style="text-align: center;"><b>B</b></p> <p style="text-align: center;"><b>C</b></p> <p style="text-align: center;"><b>D</b></p> <p style="text-align: center;"><b>E</b></p> <p style="text-align: center;"><b>F</b></p> <p style="text-align: center;"><b>G</b></p> <p style="text-align: center;"><b>H</b></p> <p style="text-align: center;"><b>J</b></p> <p style="text-align: center;"><b>K</b></p> <p style="text-align: center;"><b>L</b></p> <p style="text-align: center;"><b>M</b></p>	<div style="text-align: center;"> <p><b>D</b></p> </div> <table style="width: 100%; border-collapse: collapse;"> <thead> <tr> <th style="text-align: left;">Cable Entry Code</th> <th style="text-align: center;">In.</th> <th style="text-align: center;">mm.</th> <th style="text-align: center;">Shell Size</th> </tr> </thead> <tbody> <tr><td><b>01</b></td><td style="text-align: center;">.140</td><td style="text-align: center;">3.56</td><td style="text-align: center;">A-M</td></tr> <tr><td><b>02</b></td><td style="text-align: center;">.290</td><td style="text-align: center;">7.37</td><td style="text-align: center;">B-M</td></tr> <tr><td><b>03</b></td><td style="text-align: center;">.440</td><td style="text-align: center;">11.18</td><td style="text-align: center;">C-M</td></tr> <tr><td><b>04</b></td><td style="text-align: center;">.540</td><td style="text-align: center;">13.72</td><td style="text-align: center;">D-M</td></tr> <tr><td><b>05</b></td><td style="text-align: center;">.690</td><td style="text-align: center;">17.53</td><td style="text-align: center;">E-M</td></tr> <tr><td><b>06</b></td><td style="text-align: center;">.810</td><td style="text-align: center;">20.57</td><td style="text-align: center;">F-M</td></tr> <tr><td><b>07</b></td><td style="text-align: center;">1.000</td><td style="text-align: center;">25.40</td><td style="text-align: center;">H-M</td></tr> <tr><td><b>08</b></td><td style="text-align: center;">1.190</td><td style="text-align: center;">30.23</td><td style="text-align: center;">H-M</td></tr> <tr><td><b>09</b></td><td style="text-align: center;">1.305</td><td style="text-align: center;">33.15</td><td style="text-align: center;">K-M</td></tr> <tr><td><b>10</b></td><td style="text-align: center;">1.420</td><td style="text-align: center;">36.07</td><td style="text-align: center;">K-M</td></tr> <tr><td><b>11</b></td><td style="text-align: center;">1.600</td><td style="text-align: center;">40.64</td><td style="text-align: center;">K</td></tr> <tr><td><b>12</b></td><td style="text-align: center;">1.500</td><td style="text-align: center;">38.10</td><td style="text-align: center;">K and M</td></tr> </tbody> </table>	Cable Entry Code	In.	mm.	Shell Size	<b>01</b>	.140	3.56	A-M	<b>02</b>	.290	7.37	B-M	<b>03</b>	.440	11.18	C-M	<b>04</b>	.540	13.72	D-M	<b>05</b>	.690	17.53	E-M	<b>06</b>	.810	20.57	F-M	<b>07</b>	1.000	25.40	H-M	<b>08</b>	1.190	30.23	H-M	<b>09</b>	1.305	33.15	K-M	<b>10</b>	1.420	36.07	K-M	<b>11</b>	1.600	40.64	K	<b>12</b>	1.500	38.10	K and M	<p style="text-align: center;"><b>N</b></p> <p style="text-align: center;">No Band Supplied</p> <p style="text-align: center;"><b>M</b></p> <p style="text-align: center;"><b>BAND-IT</b>™ Micro-Band Included. .125 (3.18) Wide.</p>	<div style="text-align: center;"> <p><b>D</b></p> <p><b>B</b></p> <p><b>E</b></p> </div> <table style="width: 100%; border-collapse: collapse;"> <thead> <tr> <th style="text-align: left;">Height Code</th> <th style="text-align: center;">In.</th> <th style="text-align: center;">mm.</th> </tr> </thead> <tbody> <tr><td><b>01</b></td><td style="text-align: center;">.810</td><td style="text-align: center;">20.6</td></tr> <tr><td><b>02</b></td><td style="text-align: center;">.940</td><td style="text-align: center;">23.9</td></tr> <tr><td><b>03</b></td><td style="text-align: center;">1.060</td><td style="text-align: center;">26.9</td></tr> <tr><td><b>04</b></td><td style="text-align: center;">1.190</td><td style="text-align: center;">30.2</td></tr> <tr><td><b>05</b></td><td style="text-align: center;">1.310</td><td style="text-align: center;">33.3</td></tr> <tr><td><b>06</b></td><td style="text-align: center;">1.440</td><td style="text-align: center;">36.6</td></tr> <tr><td><b>07</b></td><td style="text-align: center;">1.560</td><td style="text-align: center;">39.6</td></tr> <tr><td><b>08</b></td><td style="text-align: center;">1.690</td><td style="text-align: center;">42.9</td></tr> <tr><td><b>09</b></td><td style="text-align: center;">1.810</td><td style="text-align: center;">46.0</td></tr> <tr><td><b>10</b></td><td style="text-align: center;">1.940</td><td style="text-align: center;">49.3</td></tr> <tr><td><b>Omit</b></td><td style="text-align: center;">.690</td><td style="text-align: center;">17.5</td></tr> </tbody> </table> <p style="font-size: small;">* For Top Entry Style T, shortest height code of E = .69" is limited to shell &amp; entry size combinations A01, B02, C03, D04, E05, F06, G06, H08, J08, K11, L10 &amp; M12 to ensure adequate wire clearance. Contact factory for other combinations. For Side Entry Style S, shortest height code E is acceptable for all shell &amp; entry size combinations except consideration for 12AWG wire bend radius.</p>	Height Code	In.	mm.	<b>01</b>	.810	20.6	<b>02</b>	.940	23.9	<b>03</b>	1.060	26.9	<b>04</b>	1.190	30.2	<b>05</b>	1.310	33.3	<b>06</b>	1.440	36.6	<b>07</b>	1.560	39.6	<b>08</b>	1.690	42.9	<b>09</b>	1.810	46.0	<b>10</b>	1.940	49.3	<b>Omit</b>	.690	17.5
	Cable Entry Code	In.	mm.	Shell Size																																																																																									
	<b>01</b>	.140	3.56	A-M																																																																																									
	<b>02</b>	.290	7.37	B-M																																																																																									
	<b>03</b>	.440	11.18	C-M																																																																																									
	<b>04</b>	.540	13.72	D-M																																																																																									
	<b>05</b>	.690	17.53	E-M																																																																																									
	<b>06</b>	.810	20.57	F-M																																																																																									
	<b>07</b>	1.000	25.40	H-M																																																																																									
	<b>08</b>	1.190	30.23	H-M																																																																																									
	<b>09</b>	1.305	33.15	K-M																																																																																									
	<b>10</b>	1.420	36.07	K-M																																																																																									
<b>11</b>	1.600	40.64	K																																																																																										
<b>12</b>	1.500	38.10	K and M																																																																																										
Height Code	In.	mm.																																																																																											
<b>01</b>	.810	20.6																																																																																											
<b>02</b>	.940	23.9																																																																																											
<b>03</b>	1.060	26.9																																																																																											
<b>04</b>	1.190	30.2																																																																																											
<b>05</b>	1.310	33.3																																																																																											
<b>06</b>	1.440	36.6																																																																																											
<b>07</b>	1.560	39.6																																																																																											
<b>08</b>	1.690	42.9																																																																																											
<b>09</b>	1.810	46.0																																																																																											
<b>10</b>	1.940	49.3																																																																																											
<b>Omit</b>	.690	17.5																																																																																											

Dimensions in Inches (millimeters) are subject to change without notice.



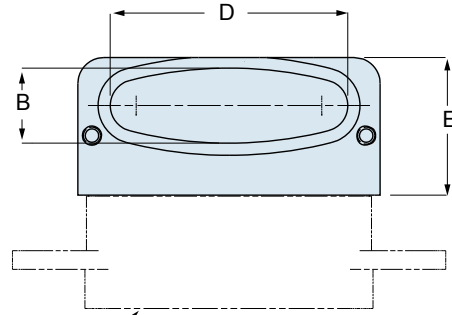
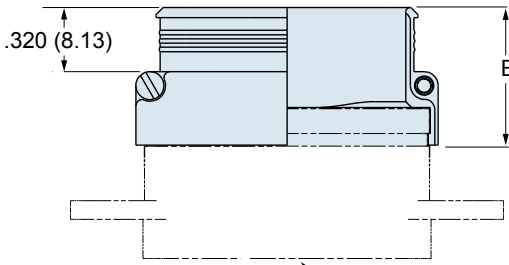
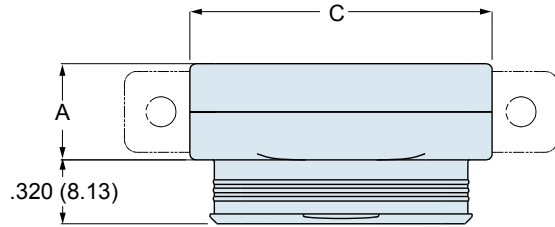
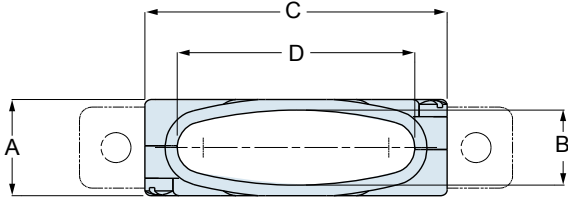


**799-015**  
**Low Profile EMI Backshell**  
for 790-024 and 790-025 Cable Connectors  
How To Order

**799-015 Low Profile EMI Backshell**

STYLE T - TOP ENTRY

STYLE S - SIDE ENTRY



CONNECTOR SHOWN FOR REFERENCE - NOT SUPPLIED

**799-015 DIMENSIONS**

Shell Size	A Max.		B		C Max.		Available Entries
	In.	mm.	In.	mm.	In.	mm.	
<b>A</b>	.385	9.78	.270	6.86	.485	12.32	01
<b>B</b>	.385	9.78	.270	6.86	.635	16.13	01 thru 02
<b>C</b>	.385	9.78	.270	6.86	.785	19.94	01 thru 03
<b>D</b>	.385	9.78	.270	6.86	.885	22.48	01 thru 04
<b>E</b>	.385	9.78	.270	6.86	1.035	26.29	01 thru 05
<b>F</b>	.385	9.78	.270	6.86	1.185	30.10	01 thru 06
<b>G</b>	.465	11.81	.350	8.89	1.145	29.08	01 thru 06
<b>H</b>	.495	12.57	.380	9.65	1.525	38.74	01 thru 08
<b>J</b>	.385	9.78	.270	6.86	1.545	39.24	01 thru 08
<b>K</b>	.385	9.78	.270	6.86	1.945	49.40	01 thru 11
<b>L</b>	.495	12.57	.380	9.65	1.765	44.83	01 thru 10
<b>M</b>	.555		.440		1.830		01 thru 10, 12

**ENTRY SIZE**

Entry Size	D		Available Sizes
	In.	mm.	
<b>01</b>	.140	3.56	A Thru L
<b>02</b>	.290	7.37	B thru L
<b>03</b>	.440	11.18	C thru L
<b>04</b>	.540	13.72	D thru L
<b>05</b>	.690	17.53	E thru L
<b>06</b>	.810	20.57	F, H, J, K, L
<b>07</b>	1.000	25.40	H thru L
<b>08</b>	1.190	30.23	H Thru L
<b>09</b>	1.305	33.15	K, L
<b>10</b>	1.420	36.07	K, L
<b>11</b>	1.600	40.64	K
<b>12</b>	1.500	38.10	K and M

**HEIGHT CODE**

CODE	E	
	In.	mm.
<b>01</b>	.810	20.6
<b>02</b>	.940	23.9
<b>03</b>	1.060	26.9
<b>04</b>	1.190	30.2
<b>05</b>	1.310	33.3
<b>06</b>	1.440	36.6
<b>07</b>	1.560	39.6
<b>08</b>	1.690	42.9
<b>09</b>	1.810	46.0
<b>10</b>	1.940	49.3

Component	Material	Finish
Backshell	Aluminum Alloy	See table below
Hardware	Stainless Steel	Passivated

Dimensions in Inches (millimeters) are subject to change without notice.

## X-ON Electronics

Largest Supplier of Electrical and Electronic Components

*Click to view similar products for [D-Sub Backshells](#) category:*

*Click to view products by [Glenair](#) manufacturer:*

Other Similar products are found below :

[173114-0084](#) [173112-1658](#) [600X51137X](#) [600X54009X](#) [66241-12A](#) [M85049/48-1-2](#) [M85049/48-3-5F](#) [M85049/6-38N](#) [M85049/86-12N03](#)  
[70.350.0636.4](#) [70.350.2435.1](#) [72.350.1035.2](#) [72.352.2435.1](#) [73.359.4035.3](#) [799-015TMH07M](#) [799-015TMH08N](#) [FKH1RE](#) [829472-1](#) [F-](#)  
[PHG-1E](#) [F-PHG-3E](#) [F-PHG-4E](#) [F-PHR-4E](#) [PCS-E20W](#) [8655MHRA0901KLF](#) [8655MHRA2501KLF](#) [958-009-010R011](#) [970-015-040R011](#)  
[970-025-030R121](#) [970-025-040R011](#) [971-009-030R121](#) [971-009-040R011](#) [971-015-040R011](#) [971-025-040R011](#) [GS85049/38-25M](#) [975T009-](#)  
[020R121](#) [975T015-020R121](#) [1-21986-2](#) [1-21986-5](#) [DB-20962](#) [DE-C8-J9-F4-1R](#) [DE-C8-J9-F5-1R](#) [DPH-B-003](#) [1437013-9](#) [1484402-8](#)  
[MS3057-10A](#) [156-3025-EX](#) [MS3417-16C](#) [16-500800](#) [165X02659X](#) [165X03329A](#)