

799-016
EMI Backshell for Panel Mount Connectors
How To Order



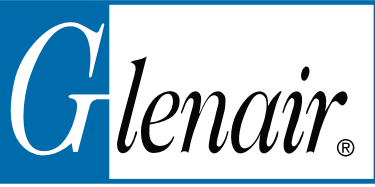
799-016 EMI Backshell
FOR PANEL MOUNT CONNECTORS



Attach shield braid to panel-mounted connectors with 799-016 EMI adapters. These one-piece backshells attach to connector with stainless steel screws. These adapters feature an interlocking tongue that fits inside the connector for improved EMI shielding. Terminate shields with **BAND-IT™** stainless steel straps. Elliptical cable entry provides room for large wire bundles. These machined T6061 aluminum backshells are supplied with two mounting screws. These adapters fit 790-026 receptacles and 790-027 plugs.

How To Order																																																																																																				
Sample Part Number																																																																																																				
799-016T	M	F	04	N	09																																																																																															
Part Number	Shell Finish	Shell Size	Cable Entry Size	Band Option	Height Code																																																																																															
 799-016T Top Entry	M Electroless Nickel <i>general purpose applications</i>	A B C	 E	N No Band Supplied	 G, H, L, M HEIGHT TOP ENTRY (T) SIDE ENTRY (S) 45° ENTRY (E)																																																																																															
 799-016S Side Entry	MT Nickel-PTFE <i>1000 Hour Grey™ maximum corrosion protection and durability (non-reflective grey)</i>	D E F G H	E Cable Entry Code E Shell Size	M BAND-IT™ Micro-Band Included. .125 (3.18) Wide.	Entry Style Range																																																																																															
 799-016E 45° Entry	ZNU Zinc-Nickel with Black Chromate <i>tactical applications (non-reflective black)</i>	J K L M	E Cable Entry Code E Shell Size		<table border="1"> <thead> <tr> <th>Height Code</th> <th>Length (In.)</th> <th>Top Entry (T)</th> <th>Side Entry (S)</th> <th>45° Entry (E)</th> </tr> </thead> <tbody> <tr><td>05</td><td>.313</td><td>—</td><td>A-F, J, K</td><td>—</td></tr> <tr><td>06</td><td>.375</td><td>—</td><td>A-F, J, K</td><td>—</td></tr> <tr><td>07</td><td>.438</td><td>—</td><td>A-L</td><td>—</td></tr> <tr><td>08</td><td>.500</td><td>—</td><td>A-M</td><td>—</td></tr> <tr><td>09</td><td>.563</td><td>A-F, J, K</td><td>A-M</td><td>—</td></tr> <tr><td>10</td><td>.625</td><td>A-G, H, L</td><td>A-M</td><td>—</td></tr> <tr><td>11</td><td>.688</td><td>A-M</td><td>A-M</td><td>A-F, J, K</td></tr> <tr><td>12</td><td>.750</td><td>A-M</td><td>A-M</td><td>A-G, J, K</td></tr> <tr><td>13</td><td>.813</td><td>A-M</td><td>—</td><td>A-L</td></tr> <tr><td>14</td><td>.875</td><td>A-M</td><td>—</td><td>A-M</td></tr> <tr><td>15</td><td>.938</td><td>A-M</td><td>—</td><td>A-M</td></tr> <tr><td>16</td><td>1.000</td><td>A-M</td><td>—</td><td>A-M</td></tr> <tr><td>17</td><td>1.063</td><td>A-M</td><td>—</td><td>A-M</td></tr> <tr><td>18</td><td>1.125</td><td>A-M</td><td>—</td><td>G, H, L, M</td></tr> <tr><td>19</td><td>1.188</td><td>G, H, L, M</td><td>—</td><td>G, H, L, M</td></tr> <tr><td>20</td><td>1.250</td><td>G, H, L, M</td><td>—</td><td>G, H, L, M</td></tr> <tr><td>21</td><td>1.313</td><td>G, H, L, M</td><td>—</td><td>G, H, L, M</td></tr> <tr><td>22</td><td>1.375</td><td>G, H, L, M</td><td>—</td><td>—</td></tr> </tbody> </table>	Height Code	Length (In.)	Top Entry (T)	Side Entry (S)	45° Entry (E)	05	.313	—	A-F, J, K	—	06	.375	—	A-F, J, K	—	07	.438	—	A-L	—	08	.500	—	A-M	—	09	.563	A-F, J, K	A-M	—	10	.625	A-G, H, L	A-M	—	11	.688	A-M	A-M	A-F, J, K	12	.750	A-M	A-M	A-G, J, K	13	.813	A-M	—	A-L	14	.875	A-M	—	A-M	15	.938	A-M	—	A-M	16	1.000	A-M	—	A-M	17	1.063	A-M	—	A-M	18	1.125	A-M	—	G, H, L, M	19	1.188	G, H, L, M	—	G, H, L, M	20	1.250	G, H, L, M	—	G, H, L, M	21	1.313	G, H, L, M	—	G, H, L, M	22	1.375	G, H, L, M	—	—
Height Code	Length (In.)	Top Entry (T)	Side Entry (S)	45° Entry (E)																																																																																																
05	.313	—	A-F, J, K	—																																																																																																
06	.375	—	A-F, J, K	—																																																																																																
07	.438	—	A-L	—																																																																																																
08	.500	—	A-M	—																																																																																																
09	.563	A-F, J, K	A-M	—																																																																																																
10	.625	A-G, H, L	A-M	—																																																																																																
11	.688	A-M	A-M	A-F, J, K																																																																																																
12	.750	A-M	A-M	A-G, J, K																																																																																																
13	.813	A-M	—	A-L																																																																																																
14	.875	A-M	—	A-M																																																																																																
15	.938	A-M	—	A-M																																																																																																
16	1.000	A-M	—	A-M																																																																																																
17	1.063	A-M	—	A-M																																																																																																
18	1.125	A-M	—	G, H, L, M																																																																																																
19	1.188	G, H, L, M	—	G, H, L, M																																																																																																
20	1.250	G, H, L, M	—	G, H, L, M																																																																																																
21	1.313	G, H, L, M	—	G, H, L, M																																																																																																
22	1.375	G, H, L, M	—	—																																																																																																
Additional shell finishes are listed on page C-9.																																																																																																				

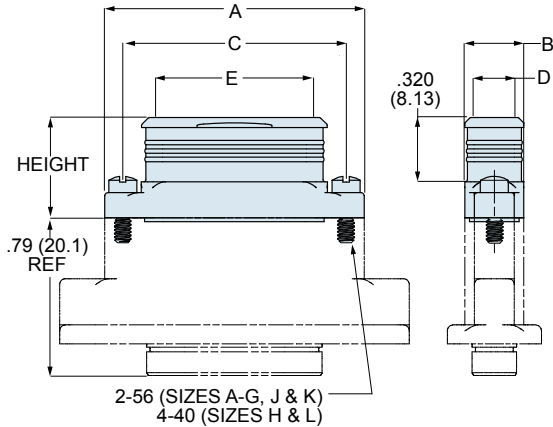
Dimensions in Inches (millimeters) are subject to change without notice.



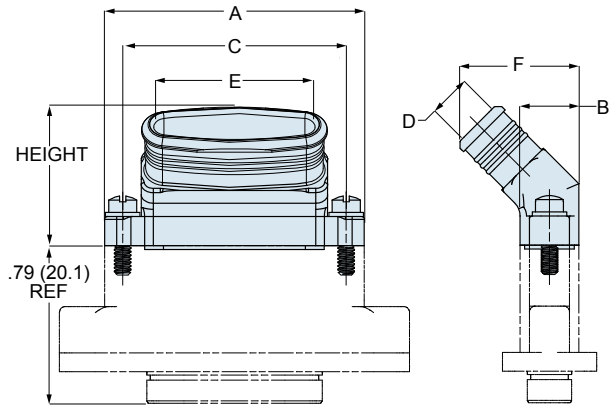
799-016
EMI Backshell for Panel Mount Connectors
How To Order

799-016 Standard EMI Backshell

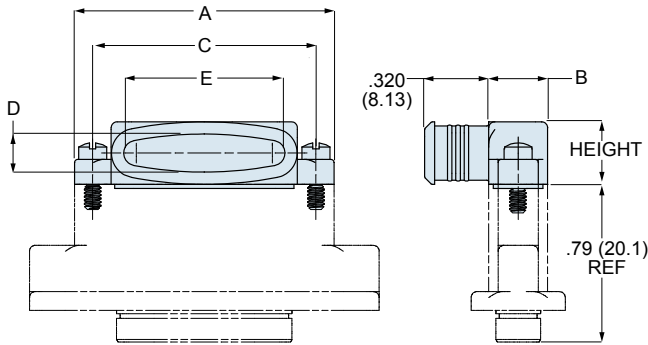
799-016 STYLE T - TOP ENTRY



799-016 STYLE E - 45° ENTRY



799-016 STYLE S - SIDE ENTRY



Component	Material	Finish
Backshell	Aluminum Alloy	See table below
Hardware	Stainless Steel	Passivated

799-016 DIMENSIONS

Shell Size	A Max.		B Max.		C		D		F		Max. Entry Size
	In.	mm.	In.	mm.	In.	mm.	In.	mm.	In.	mm.	
A	.760	19.30	.308	7.82	.565	14.35	.190	4.83	.59	15.0	01
B	.910	23.11	.308	7.82	.715	18.16	.190	4.83	.59	15.0	02
C	1.060	26.92	.308	7.82	.865	21.97	.190	4.83	.59	15.0	03
D	1.160	29.46	.308	7.82	.965	24.51	.190	4.83	.59	15.0	04
E	1.310	33.27	.308	7.82	1.115	28.32	.190	4.83	.59	15.0	05
F	1.460	36.83	.308	7.82	1.265	32.13	.190	4.83	.59	15.0	06
G	1.410	35.81	.395	10.03	1.215	30.86	.275	6.99	.68	17.3	06
H	2.045	51.94	.410	10.41	1.800	45.72	.300	7.62	.70	17.8	08
J	1.810	45.97	.308	7.82	1.615	41.02	.190	4.83	.59	15.0	08
K	2.210	56.13	.308	7.82	2.015	51.18	.190	4.83	.59	15.0	11
L	2.281	57.94	.410	10.41	2.036	51.71	.300	7.62	.70	17.8	10
M	2.445	62.10	.470	11.94	2.200	55.88	.360	9.14	.76	19.3	01 thru 10; 12

ENTRY SIZE

Code	E		Available Sizes
	In.	mm.	
01	.255	6.48	A thru M
02	.405	10.29	B thru M
03	.555	14.10	C thru M
04	.655	16.64	D thru M
05	.805	20.45	E thru M
06	.920	23.37	F thru M
07	1.110	28.19	H thru M
08	1.300	33.02	H thru M
09	1.415	35.94	K thru M
10	1.535	38.99	K thru M
11	1.705	43.31	K
12	1.600	40.64	K and M

Dimensions in Inches (millimeters) are subject to change without notice.

X-ON Electronics

Largest Supplier of Electrical and Electronic Components

Click to view similar products for [Circular MIL Spec Backshells](#) category:

Click to view products by [Glenair](#) manufacturer:

Other Similar products are found below :

[5M2919-3DW](#) [5M2920-3CW](#) [5M2953-1HW](#) [60-036152-022](#) [610HS012M15](#) [M28840/504WA](#) [M28840/805WB](#) [M28840/809WA](#)
[M28840/815WA](#) [M28840/816WA](#) [627AS017M14](#) [62GB5851608S](#) [655HS002NF11](#) [CW3703-000](#) [CW3899-000](#) [M85049/10-134S](#)
[M85049/10-17S](#) [M85049/10-33S](#) [M85049/10-94W](#) [M85049/11-09W](#) [M85049/11-28N](#) [M85049/11-37N](#) [M85049/11-53N](#) [M85049/11-63N](#)
[M85049/118-20W](#) [M85049/124-23W](#) [M85049/124S09W](#) [M85049/126S23W](#) [M850491712W02](#) [M85049/1720N04B](#) [M85049/1817N06](#)
[M850491819W03](#) [M85049/1821W05C](#) [M85049/1825W06C](#) [M85049/1919N05](#) [M85049/1919W04](#) [M850491919W07](#) [M85049/23-59W](#)
[M85049/23-74W](#) [M8504924-5W](#) [M85049/24-71N](#) [M85049/25-47N](#) [M85049/25-94W](#) [M85049/27S12N](#) [M8504938-13S](#) [M85049/38-19S](#)
[M85049/39-11S](#) [M85049/39-17S](#) [M85049/39-9S](#) [M85049/3W4A2](#)