

799-016
EMI Backshell for Panel Mount Connectors
How To Order



799-016 EMI Backshell
FOR PANEL MOUNT CONNECTORS



Attach shield braid to panel-mounted connectors with 799-016 EMI adapters. These one-piece backshells attach to connector with stainless steel screws. These adapters feature an interlocking tongue that fits inside the connector for improved EMI shielding. Terminate shields with **BAND-IT™** stainless steel straps. Elliptical cable entry provides room for large wire bundles. These machined T6061 aluminum backshells are supplied with two mounting screws. These adapters fit 790-026 receptacles and 790-027 plugs.

How To Order

Sample Part Number					
799-016T	M	F	04	N	09
Part Number	Shell Finish	Shell Size	Cable Entry Size	Band Option	Height Code
 799-016T Top Entry	M Electroless Nickel <i>general purpose applications</i>	A B C		N No Band Supplied	
 799-016S Side Entry	MT Nickel-PTFE <i>1000 Hour Grey™ maximum corrosion protection and durability (non-reflective grey)</i>	D E F G H	Cable Entry Code E (In.) Shell Size	M BAND-IT™ Micro-Band Included. .125 (3.18) Wide.	Entry Style Range
 799-016E 45° Entry	ZNU Zinc-Nickel with Black Chromate <i>tactical applications (non-reflective black)</i>	I J K L M	01 .255 A-M 02 .405 B-M 03 .555 C-M 04 .655 D-M 05 .805 E-M 06 .920 F-M 07 1.110 H-M 08 1.300 H-M 09 1.415 K-M 10 1.535 K-M 11 1.705 K 12 1.600 K and M		Height Code Length (In.) Top Entry (T) Side Entry (S) 45° Entry (E)
	Additional shell finishes are listed on page C-9.				05 .313 — A-F, J, K — 06 .375 — A-F, J, K — 07 .438 — A-L — 08 .500 — A-M — 09 .563 A-F, J, K A-M — 10 .625 A-G, H, L A-M — 11 .688 A-M A-M A-F, J, K 12 .750 A-M A-M A-G, J, K 13 .813 A-M — A-L 14 .875 A-M — A-M 15 .938 A-M — A-M 16 1.000 A-M — A-M 17 1.063 A-M — A-M 18 1.125 A-M — G, H, L, M 19 1.188 G, H, L, M — G, H, L, M 20 1.250 G, H, L, M — G, H, L, M 21 1.313 G, H, L, M — G, H, L, M 22 1.375 G, H, L, M —

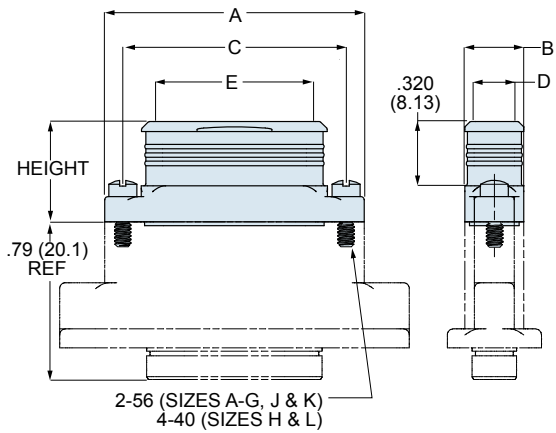
Dimensions in Inches (millimeters) are subject to change without notice.



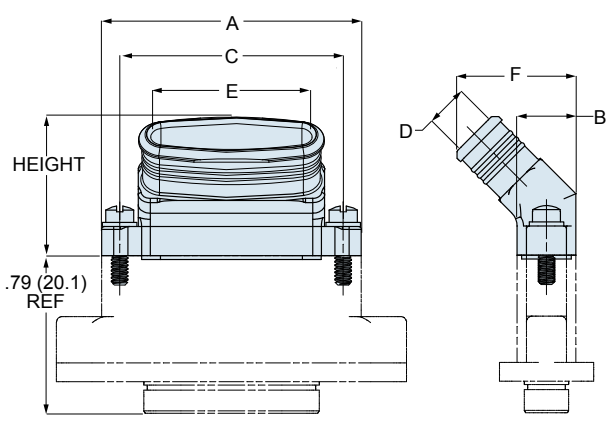
799-016
EMI Backshell for Panel Mount Connectors
How To Order

799-016 Standard EMI Backshell

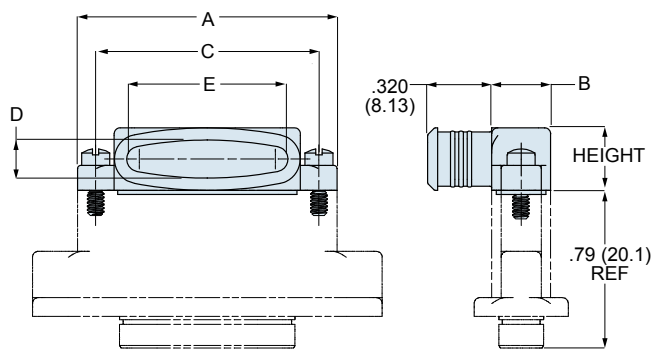
799-016 STYLE T - TOP ENTRY



799-016 STYLE E - 45° ENTRY



799-016 STYLE S - SIDE ENTRY



Component	Material	Finish
Backshell	Aluminum Alloy	See table below
Hardware	Stainless Steel	Passivated

799-016 DIMENSIONS											
Shell Size	A Max.		B Max.		C		D		F		Max. Entry Size
	In.	mm.	In.	mm.	In.	mm.	In.	mm.	In.	mm.	
A	.760	19.30	.308	7.82	.565	14.35	.190	4.83	.59	15.0	01
B	.910	23.11	.308	7.82	.715	18.16	.190	4.83	.59	15.0	02
C	1.060	26.92	.308	7.82	.865	21.97	.190	4.83	.59	15.0	03
D	1.160	29.46	.308	7.82	.965	24.51	.190	4.83	.59	15.0	04
E	1.310	33.27	.308	7.82	1.115	28.32	.190	4.83	.59	15.0	05
F	1.460	36.83	.308	7.82	1.265	32.13	.190	4.83	.59	15.0	06
G	1.410	35.81	.395	10.03	1.215	30.86	.275	6.99	.68	17.3	06
H	2.045	51.94	.410	10.41	1.800	45.72	.300	7.62	.70	17.8	08
J	1.810	45.97	.308	7.82	1.615	41.02	.190	4.83	.59	15.0	08
K	2.210	56.13	.308	7.82	2.015	51.18	.190	4.83	.59	15.0	11
L	2.281	57.94	.410	10.41	2.036	51.71	.300	7.62	.70	17.8	10
M	2.445	62.10	.470	11.94	2.200	55.88	.360	9.14	.76	19.3	01 thru 10; 12

ENTRY SIZE			
Code	E		Available Sizes
	In.	mm.	
01	.255	6.48	A thru M
02	.405	10.29	B thru M
03	.555	14.10	C thru M
04	.655	16.64	D thru M
05	.805	20.45	E thru M
06	.920	23.37	F thru M
07	1.110	28.19	H thru M
08	1.300	33.02	H thru M
09	1.415	35.94	K thru M
10	1.535	38.99	K thru M
11	1.705	43.31	K
12	1.600	40.64	K and M

Dimensions in Inches (millimeters) are subject to change without notice.

X-ON Electronics

Largest Supplier of Electrical and Electronic Components

Click to view similar products for [D-Sub Backshells](#) category:

Click to view products by [Glenair](#) manufacturer:

Other Similar products are found below :

[173114-0084](#) [173112-1658](#) [600X51137X](#) [600X54009X](#) [66241-12A](#) [M85049/48-1-2](#) [M85049/48-3-5F](#) [M85049/6-38N](#) [M85049/86-12N03](#)
[70.350.0636.4](#) [70.350.2435.1](#) [72.350.1035.2](#) [72.352.2435.1](#) [73.359.4035.3](#) [799-015TMH07M](#) [799-015TMH08N](#) [FKH1RE](#) [829472-1](#) [F-](#)
[PHG-1E](#) [F-PHG-3E](#) [F-PHG-4E](#) [F-PHR-4E](#) [PCS-E20W](#) [8655MHRA0901KLF](#) [8655MHRA2501KLF](#) [958-009-010R011](#) [970-015-040R011](#)
[970-025-030R121](#) [970-025-040R011](#) [971-009-030R121](#) [971-009-040R011](#) [971-015-040R011](#) [971-025-040R011](#) [GS85049/38-25M](#) [975T009-](#)
[020R121](#) [975T015-020R121](#) [1-21986-2](#) [1-21986-5](#) [DB-20962](#) [DE-C8-J9-F4-1R](#) [DE-C8-J9-F5-1R](#) [DPH-B-003](#) [1437013-9](#) [1484402-8](#)
[MS3057-10A](#) [156-3025-EX](#) [MS3417-16C](#) [16-500800](#) [165X02659X](#) [165X03329A](#)