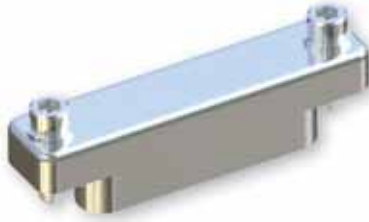


## 799-018 and 799-019 Protective Covers FOR SERIES 79 MICRO-CRIMP CONNECTORS

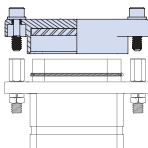

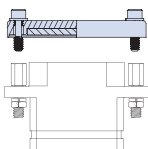



**Protect Connectors From Damage** – Machined aluminum covers prevent ingress of water and contamination. Plug covers provide metal-to-metal bottoming for EMI protection. Receptacle covers feature conductive fluorosilicone gaskets.

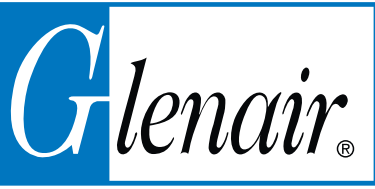
**Stainless Steel Fittings and Rings** – Choose small diameter eye fittings for panel attachment. Larger rings fit over cable jackets. Split rings can be installed on fully assembled cables.

**Polyurethane-Coated SST Wire Rope** offers high strength, excellent abrasion resistance and good flexibility. Or, choose Teflon® jacket for high temperature exposure.

**Braided Nylon Rope** provides excellent flexibility and good abrasion resistance, and can be ordered with slip knot fittings for easy installation on any size cable.

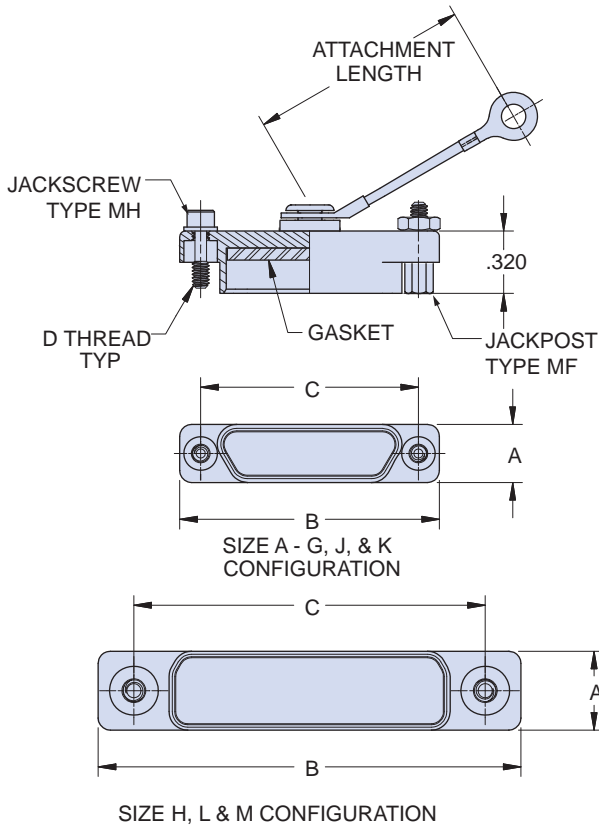
How To Order						
Sample Part Number						
799-018	E	E	MB	N	6	-04
Part Number	Shell Finish	Shell Size	Jackscrew Option	Lanyard Type	Attachment Length in Inches	Attachment Code
 <b>799-018</b> Plug Cover	<b>M</b> Electroless Nickel <i>general purpose applications</i>	<b>A</b> <b>B</b> <b>C</b>	<b>MB</b> Slotted Fillister Head Jackscrew	<b>N</b> No Attachment <b>G</b> Nylon Rope <b>H</b> Stainless Steel Rope, Teflon jacket	Omit for Attachment Type <b>N</b> (no attachment)  <b>Example</b> "6" equals six inch length	Omit for attachment Types <b>N</b> (No Attachment) and <b>SK</b> (Slip Knot)   Small Ring <b>01</b> – .126 (3.20) I.D. <b>02</b> – .145 (3.68) I.D. <b>04</b> – .188 (4.78) I.D. <b>06</b> – .197 (5.00) I.D.
	<b>MT</b> Nickel-PTFE 1000 Hour Grey™ <i>maximum corrosion protection and durability (non-reflective grey)</i>	<b>D</b> <b>E</b> <b>F</b> <b>G</b> <b>H</b>	<b>MH</b> Hex Socket Head Jackscrew	<b>R</b> Stainless Steel Rope, PVC jacket <b>F</b> Stainless Steel Rope, Nylon jacket		
 <b>799-019</b> Receptacle Cover	<b>ZNU</b> Zinc-Nickel with Black Chromate <i>tactical applications (non-reflective black)</i>  Additional shell finishes are listed on page C-9.	<b>J</b> <b>K</b> <b>L</b> <b>M</b>			 Split Ring <b>50</b> – .420 (10.67) I.D. <b>52</b> – .480 (12.19) I.D. <b>54</b> – .635 (16.13) I.D. <b>56</b> – .745 (18.92) I.D. <b>58</b> – .885 (22.48) I.D. <b>60</b> – 1.010 (25.65) I.D. <b>64</b> – 1.125 (28.58) I.D. <b>68</b> – 1.345 (34.16) I.D.	

Dimensions in Inches (millimeters) are subject to change without notice.



**799-018**  
**Protective Plug Covers**  
**How To Order**

**799-018 Protective Plug Covers**



799-018 DIMENSIONS							
Shell Size	A Max.		B Max.		C		D Thread
	In.	mm.	In.	mm.	In.	mm.	
<b>A</b>	.308	7.82	.785	19.94	.565	14.35	2-56 UNC
<b>B</b>	.308	7.82	.935	23.75	.715	18.16	2-56 UNC
<b>C</b>	.308	7.82	1.085	27.56	.865	21.97	2-56 UNC
<b>D</b>	.308	7.82	1.185	30.10	.965	24.51	2-56 UNC
<b>E</b>	.308	7.82	1.335	33.91	1.115	28.32	2-56 UNC
<b>F</b>	.308	7.82	1.485	37.72	1.265	32.13	2-56 UNC
<b>G</b>	.395	10.03	1.435	36.45	1.215	30.86	2-56 UNC
<b>H</b>	.410	10.41	2.170	55.12	1.800	45.72	4-40 UNC
<b>J</b>	.308	7.82	1.845	46.86	1.615	41.02	2-56 UNC
<b>K</b>	.308	7.82	2.240	56.90	2.015	51.18	2-56 UNC
<b>L</b>	.410	10.41	2.406	61.11	2.036	51.71	4-40 UNC
<b>M</b>	.470	11.94	2.570	65.28	2.200	55.88	6-32 UNC

Component	Material	Finish
Backshell	Aluminum Alloy	See Ordering Info
Hardware	Stainless Steel	Passivated
Gasket	Conductive Fluorosilicone	None

**Lanyard options**

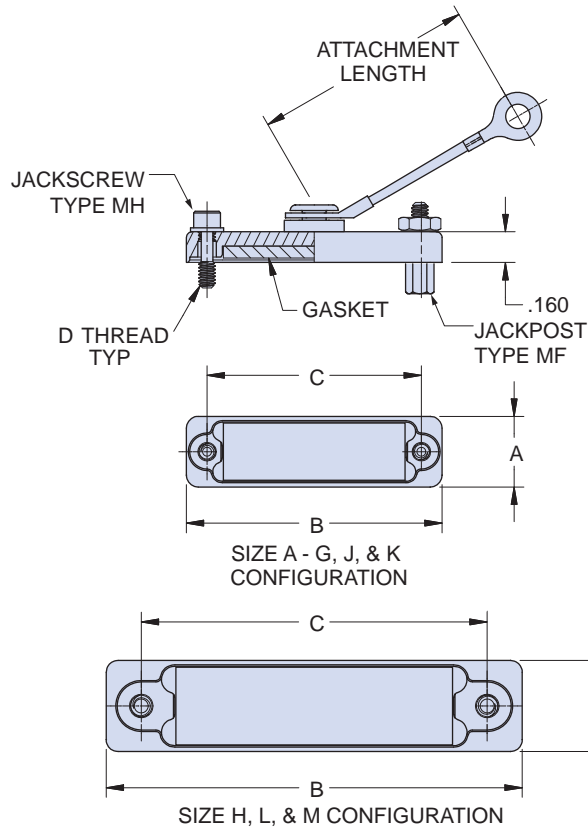
	-55° to +100°C., black, very flexible, very good abrasion resistance, good resistance to fuels, .120" (3mm) diameter
<b>Nylon Rope</b>	
	Black polyurethane over stainless steel rope, -55° to +125°C., very flexible, excellent abrasion resistance, excellent resistance to fuels, .080" (2mm) diameter
<b>Polyurethane Coated Wire Rope</b>	
	Translucent FEP jacket over stainless steel, -55° to +200°C., fair flexibility, good abrasion resistance, .100" diameter
<b>Teflon® Jacketed Wire Rope</b>	
	55° to +100°C., black, very flexible, very good abrasion resistance, good resistance to fuels, .120" (3mm) diameter. Length includes .5" (13mm) diameter loop.
<b>Slip Knot (SK)</b> for Attaching Covers to Cable	

Dimensions in Inches (millimeters) are subject to change without notice.

799-019  
Protective Receptacle Covers  
How To Order



## 799-019 Protective Receptacle Covers



### 799-019 DIMENSIONS

Shell Size	A Max.		B Max.		C		D Thread
	In.	mm.	In.	mm.	In.	mm.	
A	.385	7.82	.785	19.94	.565	14.35	2-56 UNC
B	.385	7.82	.935	23.75	.715	18.16	2-56 UNC
C	.385	7.82	1.085	27.56	.865	21.97	2-56 UNC
D	.385	7.82	1.185	30.10	.965	24.51	2-56 UNC
E	.385	7.82	1.335	33.91	1.115	28.32	2-56 UNC
F	.385	7.82	1.485	37.72	1.265	32.13	2-56 UNC
G	.470	10.03	1.435	36.45	1.215	30.86	2-56 UNC
H	.490	10.41	2.170	55.12	1.800	45.72	4-40 UNC
J	.385	7.82	1.845	46.86	1.615	41.02	2-56 UNC
K	.385	7.82	2.240	56.90	2.015	51.18	2-56 UNC
L	.490	10.41	2.406	61.11	2.036	51.71	4-40 UNC
M	.550	11.94	2.570	65.28	2.200	55.88	6-32 UNC

Component	Material	Finish
Backshell	Aluminum Alloy	See Ordering Info
Hardware	Stainless Steel	Passivated
Gasket	Conductive Fluorosilicone	None

### Lanyard options

	-55° to +100°C., black, very flexible, very good abrasion resistance, good resistance to fuels, .120" (3mm) diameter
<b>Nylon Rope</b>	
	Black polyurethane over stainless steel rope, -55° to +125°C., very flexible, excellent abrasion resistance, excellent resistance to fuels, .080" (2mm) diameter
<b>Polyurethane Coated Wire Rope</b>	
	Translucent FEP jacket over stainless steel, -55° to +200°C., fair flexibility, good abrasion resistance, .100" diameter
<b>Teflon® Jacketed Wire Rope</b>	
	55° to +100°C., black, very flexible, very good abrasion resistance, good resistance to fuels, .120" (3mm) diameter. Length includes .5" (13mm) diameter loop.
<b>Slip Knot (SK)</b> for Attaching Covers to Cable	

Dimensions in Inches (millimeters) are subject to change without notice.

## X-ON Electronics

Largest Supplier of Electrical and Electronic Components

*Click to view similar products for [D-Sub Tools & Hardware](#) category:*

*Click to view products by [Glenair](#) manufacturer:*

Other Similar products are found below :

[000-01-09-132](#) [000-01-21-132](#) [000-01-31-162](#) [572019-00105-70](#) [000-01-37-162](#) [621-250-113-115](#) [D110550-2](#) [D20418-137](#) [780-518-50SG6-WS](#) [86552009](#) [86553115TLF](#) [86553117TLF](#) [1230032-1](#) [1-5021101-2](#) [1589283-4](#) [160-000-005R031](#) [16-000230](#) [160-025-004R031](#) [160-020-209R000](#) [160X10909X](#) [164C03939A](#) [177-505-A-2-2](#) [1-966830-8](#) [21018-6](#) [21028-2](#) [2-1393560-9](#) [JS-1000](#) [L17D204182M3E](#) [L17D53018](#) [300X10779X](#) [160X10189X](#) [160X10419X](#) [162-000-050R000](#) [21018-5](#) [212561-3](#) [248C21550X](#) [CF15P](#) [D110277](#) [500-008NF1K-01](#) [500-008NF3R3KS-01](#) [500-017M09FN](#) [500-017M15MHN](#) [500-024M1](#) [500-068M3](#) [5-1393561-5](#) [C115373-0001](#) [C115373-0002](#) [3342-4-KIT](#) [K1003](#) [L17D4M68711](#)