

REVISIONS			
REV.	DESCRIPTION	DATE	APPROVED
1	PRELIMINARY	02/16/09	GSB
2	REVISED & ADDED 799-026-3 & -P-4	11/19/14	T.LEE

PART NUMBER	DESCRIPTION	FIGURE	ø"A"	"B" MAX	"C" MAX	"D" MAX	ø"E" THREAD	"F" MAX	"G" MAX	"H" MAX	"J" THREAD	ø"K"	"L" THREAD	"M" MAX	"N" MAX	MAX	THREAD
799-026-S-1	FEMALE GUIDE SOCKET SHELL SIZES (STANDARD 2,3 ROW)	1		.171 (4.34)	.183 (4.65)	.363 (9.22)	4-40 UNC -2A	-	-	-	-	-	-	-	-	-	-
799-026-S-2	FEMALE GUIDE SOCKET SHELL SIZES (STANDARD H,L OR SCOOP PROOF 2,3 ROW)	1		.201 (5.11)	.183 (4.65)	.363 (9.22)	6-32 UNC -2A	-	-	-	-	-	-	-	-	-	-
799-026-G-1	GUIDE PIN SHELL SIZES (STANDARD 2,3 ROW)	2		-	-	-	-	.057 (1.48)	.357 (9.07)	.522 (13.26)	4-40 UNC -2A	-	-	-	-	-	-
799-026-G-2	GUIDE PIN SHELL SIZES (STANDARD H,L OR SCOOP PROOF 2,3 ROW)	2		-	-	-	-	.074 (1.88)	.357 (9.07)	.537 (13.64)	6-32 UNC -2A	-	-	-	-	-	-
799-026-P-1	FEMALE JACKPOST SHELL SIZES (STANDARD 2,3 ROW)	3		-	-	-	-	-	-	-	-	-	2-56 UNC -2B	.157 (3.99)	.191 (4.85)	.373 (9.47)	4-40 UNC -2A
799-026-P-2	FEMALE JACKPOST SHELL SIZES (STANDARD H,L OR SCOOP PROOF 2,3 ROW)	3		-	-	-	-	-	-	-	-	-	4-40 UNC -2B	.201 (5.11)	.191 (4.85)	.373 (9.47)	6-32 UNC -2A
799-026-P-3	FEMALE JACKPOST SHELL SIZES (STANDARD H OR SCOOP PROOF H, L)	-		-	-	-	-	-	-	-	-	-	6-32 UNC -2B	.228 (5.79)	.191 (4.85)	.373 (9.47)	8-32 UNC -2A
799-026-P-4	FEMALE JACKPOST SHELL SIZE (SCOOP PROOF M)	-		-	-	-	-	-	-	-	-	-	8-32 UNC -2B	.254 (6.45)	.191 (4.85)	.373 (9.47)	10-32 UNC -2A

FIGURE #1

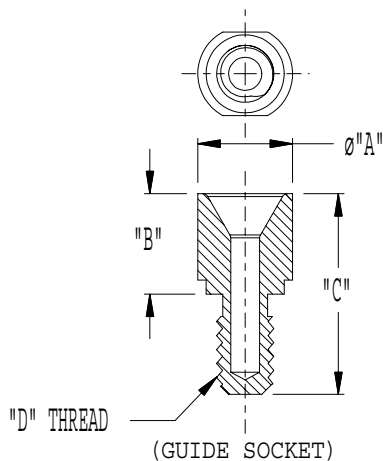


FIGURE #2

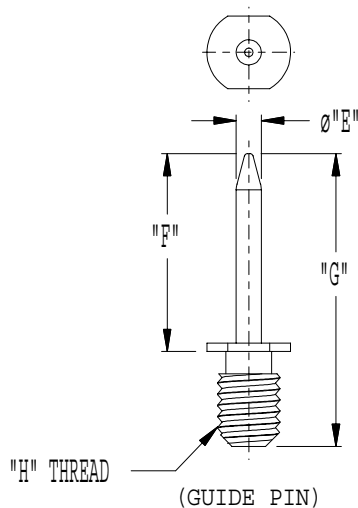
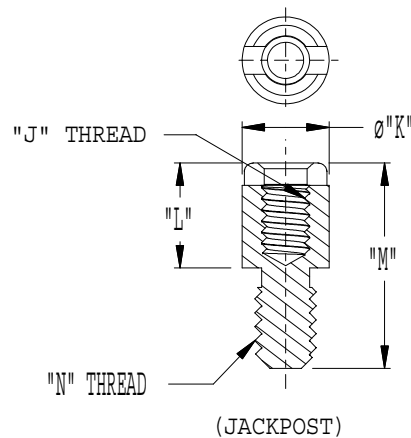



FIGURE #3



NOTE: UNLESS OTHERWISE SPECIFIED

1. MATERIAL : 300 SERIES CRES, PASSIVATED.
2. S,G, OR P = DESCRIPTION, AND 1 OR 2 = SHELL SIZE.
3. GLENAIR RECOMMENDS PARTS TO BE INSTALLED USING A THREAD LOCKER.
4. PARTS ARE DELIVERED IN KITS CONTAINING (2) PIECES OF HADWARE.

UNLESS OTHERWISE SPECIFIED	DRAWN	DBJ	02/16/09	GLENAIR, INC. CAD 1991 C O 1211 AIR WAY GLENDALE, CALIF. 91201
DIMENSIONS ARE IN INCHES	CHECK	GSB	02/16/09	
TOLERANCES:	ENGR	DBJ	02/16/09	
FRACTIONS ± 1/16	 APPROVED			HARDWARE KIT SERIES 79 GUIDE PIN, GUIDE SOCKET & JACKPOST
DECIMALS .XX ± .010 .XXX ± .005	APPROVED			
ANGLES ± 1°	DO NOT SCALE THIS DRAWING	RELEASE DATE	02/16/09	CODE IDENT. NO. 06324 SIZE B 799-026 REV. 2
B/F 09C2459 P/C 799	ORIGINAL RELEASE DATE			SCALE N/A WEIGHT N/A SHEET 1 OF 1

X-ON Electronics

Largest Supplier of Electrical and Electronic Components

Click to view similar products for [D-Sub Backshells](#) category:

Click to view products by [Glenair](#) manufacturer:

Other Similar products are found below :

[173114-0084](#) [173112-1658](#) [600X51137X](#) [600X54009X](#) [66241-12A](#) [M85049/48-1-2](#) [M85049/48-3-5F](#) [M85049/6-38N](#) [M85049/86-12N03](#)
[70.350.0636.4](#) [70.350.2435.1](#) [72.350.1035.2](#) [72.352.2435.1](#) [73.359.4035.3](#) [799-015TMH07M](#) [799-015TMH08N](#) [FKH1RE](#) [829472-1](#) [F-](#)
[PHG-1E](#) [F-PHG-3E](#) [F-PHG-4E](#) [F-PHR-4E](#) [PCS-E20W](#) [8655MHRA0901KLF](#) [8655MHRA2501KLF](#) [958-009-010R011](#) [970-015-040R011](#)
[970-025-030R121](#) [970-025-040R011](#) [971-009-030R121](#) [971-009-040R011](#) [971-015-040R011](#) [971-025-040R011](#) [GS85049/38-25M](#) [975T009-](#)
[020R121](#) [975T015-020R121](#) [1-21986-2](#) [1-21986-5](#) [DB-20962](#) [DE-C8-J9-F4-1R](#) [DE-C8-J9-F5-1R](#) [DPH-B-003](#) [1437013-9](#) [1484402-8](#)
[MS3057-10A](#) [156-3025-EX](#) [MS3417-16C](#) [16-500800](#) [165X02659X](#) [165X03329A](#)