

Backshells for Series 791 Connectors

799-015 EMI Banding Backshell for 791-001 and 791-003 Connectors



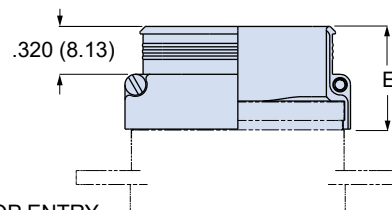
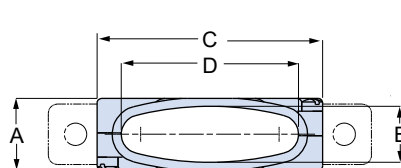
Low profile. Two piece. EMI protection. Band-Master shield termination.

Attach cable braid to connector with 799-015 adapters. These adapters fit securely into a groove on 791-001 and 791-003 cable connectors. Elliptical cable entry provides room for large wire bundles. Machined T6061 aluminum adapters consist of two interlocking housings, two fillister head screws and two lockwashers. These lightweight, space-saving adapters are available in straight or right angle configurations with a range of cable entry sizes.

Technical Data	
Specifications	
■	Use with Glenair Band-Master™ ATS Micro Termination Tool and Microband shield termination strap
Construction	
■	Shell: aluminum alloy
■	Hardware: stainless steel, passivated

Table 1 Cable Entry Code			
Cable Entry Code	D		Shell Size
	In.	mm.	
01	.140	3.56	A-M
02	.290	7.37	B-M
03	.440	11.18	C-M
04	.540	13.72	D-M
05	.690	17.53	E-M
06	.810	20.57	F-M
07	1.000	25.40	H-M
08	1.190	30.23	H-M
09	1.305	33.15	K-M
10	1.420	36.07	K-M
11	1.600	40.64	K
12	1.500	38.10	K and M

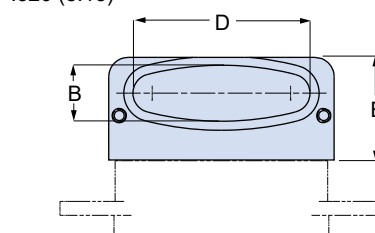
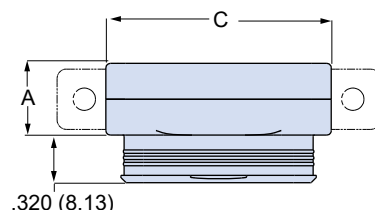
How To Order							
Sample Part Number	799-015	T	M	E	01	M	-01
Product	799-015 Low profile banding backshell						
Cable Entry Style	T = Top entry S = Side entry						
Shell Finish	M = Electroless Nickel MT = Nickel-PTFE ZR = Black Zinc-Nickel						
Shell Size	A B C D E F G H J K L M						
Cable Entry Code	See Table 1						
Band Strap Option	N = No Band (order band separately) M = Band included. Band-Master MicroBand, .125 (3.18) wide						
Height Code	See table 2						



STYLE T - TOP ENTRY

Table 2 Height Code		
Height Code	E	
	In.	mm.
01	.810	20.6
02	.940	23.9
03	1.060	26.9
04	1.190	30.2
05	1.310	33.3
06	1.440	36.6
07	1.560	39.6
08	1.690	42.9
09	1.810	46.0
10	1.940	49.3
11	1.600	40.6
12	1.500	38.1

Dimensions									
Shell Size	A Max		B Max		C Max		Available Entry Sizes		
	In.	mm.	In.	mm.	In.	mm.			
A	.385	9.78	.270	6.86	.485	12.32	01		
B	.385	9.78	.270	6.86	.635	16.13	01 thru 02		
C	.385	9.78	.270	6.86	.785	19.94	01 thru 03		
D	.385	9.78	.270	6.86	.885	22.48	01 thru 04		
E	.385	9.78	.270	6.86	1.035	26.29	01 thru 05		
F	.385	9.78	.270	6.86	1.185	30.10	01 thru 06		
G	.465	11.81	.350	8.89	1.145	29.08	01 thru 06		
H	.495	12.57	.380	9.65	1.525	38.74	01 thru 08		
J	.385	9.78	.270	6.86	1.545	39.24	01 thru 08		
K	.385	9.78	.270	6.86	1.945	49.40	01 thru 11		
L	.495	12.57	.380	9.65	1.765	44.83	01 thru 10		
M	.555	14.10	.440	11.18	1.830	46.48	01 - 10, 12		



STYLE S - SIDE ENTRY

Backshells for Series 791 Connectors

799-016 EMI Banding Adapter for 791-019 and 791-020 Panel Mount Connectors



799-016

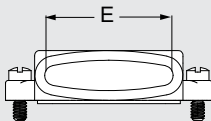
EMI protection. Band-Master shield termination.

Attach cable braid to panel mounted connectors with 799-016 adapters. These adapters attach to threaded holes on 791-019 and 791-020 connectors. Elliptical cable entry provides room for large wire bundles. Machined T6061 aluminum adapter consists of one piece shell, two fillister head screws and two lockwashers. These lightweight, space-saving adapters are available in straight, 45° and side entry configurations and a range of cable entry sizes.

Technical Data	
Specifications	
<ul style="list-style-type: none"> Use with Glenair Band-Master™ ATS Micro Termination Tool and Microband shield termination strap 	
Construction	
<ul style="list-style-type: none"> Shell: aluminum alloy Hardware: stainless steel, passivated 	

How To Order							
Sample Part Number	799-016	T	M	H	08	M	12
Product	799-016 Banding adapter						
Cable Entry Style	T = Top entry S = Side entry 90° E = 45°						
Shell Finish	M = Electroless Nickel MT = Nickel-PTFE ZR = Black Zinc-Nickel						
Shell Size	A B C D E F G H J K L M						
Cable Entry Code	See Table 1						
Band Strap Option	N = No Band (order band separately) M = Band included. Band-Master MicroBand, .125 (3.18) wide						
Height Code	In 1/16 inch increments. Example: 08 = .500 inch (12.7 mm.) See Table 2 for height codes.						

Table 1 Cable Entry Code



Cable Entry Code	E		Shell Size
	In.	mm.	
01	.255	6.48	A-M
02	.405	10.29	B-M
03	.555	14.10	C-M
04	.655	16.64	D-M
05	.805	20.45	E-M
06	.920	23.37	F-M
07	1.110	28.19	H-M
08	1.300	33.02	H-M
09	1.415	35.94	K-M
10	1.535	38.99	K-M
11	1.705	43.31	K
12	1.600	40.64	K and M

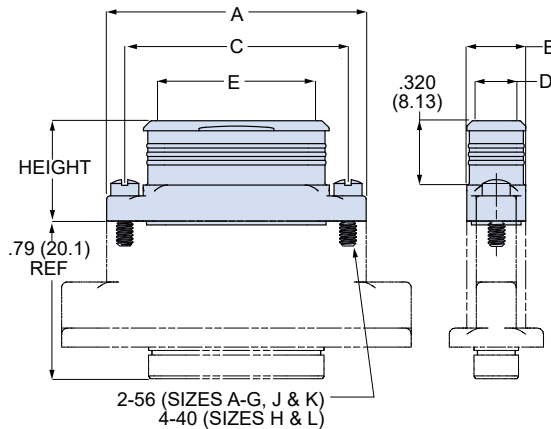
Table 2 Height Code

Height Code	Height		Shell Size Range		
	In.	mm.	Top Entry (T)	Side Entry (S)	45° Entry (E)
05	.313	7.95	—	A-F, J, K	—
06	.375	9.52	—	A-F, J, K	—
07	.438	11.13	—	A-L	—
08	.500	12.70	—	A-M	—
09	.563	14.30	A-F, J, K	A-M	—
10	.625	15.88	A-G, H, L	A-M	—
11	.688	17.48	A-M	A-M	A-F, J, K
12	.750	19.05	A-M	A-M	A-G, J, K
13	.813	20.65	A-M	—	A-L
14	.875	22.23	A-M	—	A-M
15	.938	23.83	A-M	—	A-M
16	1.000	25.40	A-M	—	A-M
17	1.063	27.00	A-M	—	A-M
18	1.125	28.58	A-M	—	G, H, L, M
19	1.188	30.18	G, H, L, M	—	G, H, L, M
20	1.250	31.75	G, H, L, M	—	G, H, L, M
21	1.313	33.35	G, H, L, M	—	G, H, L, M
22	1.375	34.93	G, H, L, M	—	—

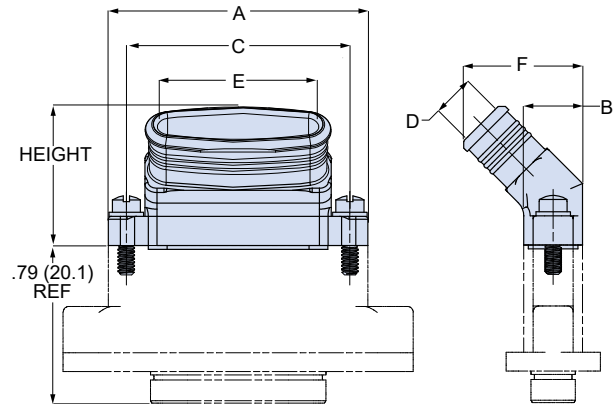
Backshells for Series 791 Connectors

799-016 EMI Banding Adapter for 791-019 and 791-020 Panel Mount Connectors

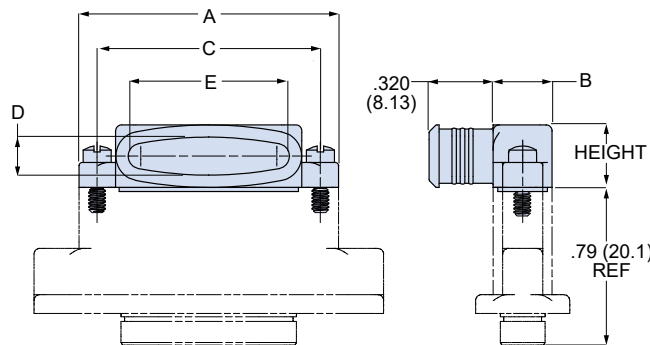
Style T - Top Entry



Style E - 45° Entry



Style S - Side Entry



See previous page for height dimensions and cable entry (E) dimensions.

Dimensions

Shell Size	A Max.		B Max.		C		D		F		Available Entry Sizes
	In.	mm.	In.	mm.	In.	mm.	In.	mm.	In.	mm.	
A	.760	19.30	.308	7.82	.565	14.35	.190	4.83	.59	15.0	01
B	.910	23.11	.308	7.82	.715	18.16	.190	4.83	.59	15.0	01 thru 02
C	1.060	26.92	.308	7.82	.865	21.97	.190	4.83	.59	15.0	01 thru 03
D	1.160	29.46	.308	7.82	.965	24.51	.190	4.83	.59	15.0	01 thru 04
E	1.310	33.27	.308	7.82	1.115	28.32	.190	4.83	.59	15.0	01 thru 05
F	1.460	36.83	.308	7.82	1.265	32.13	.190	4.83	.59	15.0	01 thru 06
G	1.410	35.81	.395	10.03	1.215	30.86	.275	6.99	.68	17.3	01 thru 06
H	2.045	51.94	.410	10.41	1.800	45.72	.300	7.62	.70	17.8	01 thru 08
J	1.810	45.97	.308	7.82	1.615	41.02	.190	4.83	.59	15.0	01 thru 08
K	2.210	56.13	.308	7.82	2.015	51.18	.190	4.83	.59	15.0	01 thru 12
L	2.281	57.94	.410	10.41	2.036	51.71	.300	7.62	.70	17.8	01 thru 10
M	2.445	62.10	.470	11.94	2.200	55.88	.360	9.14	.76	19.3	01 - 10, 12

Anti-Static Dust Caps for Series 791 Connectors

799-064 and 799-065 Dust Caps

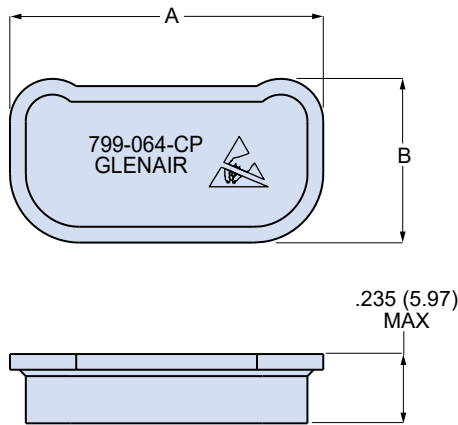
Permanently anti-static. Non-sloughing. ESD Protection.

Black plastic dust caps fit Series 791 connectors. Molded from permanently anti-static LDPE, these caps protect connectors from contamination and static discharge. Friction fit.



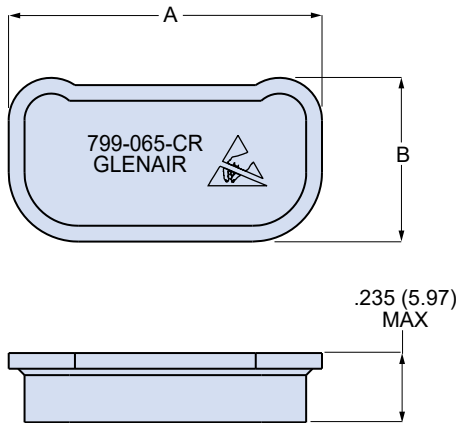
Technical Data	
Specifications	Construction
<ul style="list-style-type: none"> Volume resistivity: 1E9 - 9.9E10 ohm.cm (ASTM D 256) Surface resistivity: 1E10 - 9.9E11 ohm/sq (ASTM D 257) Static decay: <2.0 seconds (MIL-PRF-81705, 5kV to 50V, 12% RH) 	<ul style="list-style-type: none"> Material: low density polyethylene (LDPE) Part marking: molded-in raised lettering

799-064 Plug Dust Caps for Series 791 Socket Connectors



Shell Size	Dust Cap for Plug (Socket) Connectors	A Max		B Max	
		In.	mm.	In.	mm.
A	799-064A	.628	15.95	.524	13.31
B	799-064B	.778	19.76	.524	13.31
C	799-064C	.928	23.57	.524	13.31
D	799-064D	1.003	25.48	.524	13.31
E	799-064E	1.153	29.29	.524	13.31
F	799-064F	1.303	33.10	.524	13.31
G	799-064G	1.265	32.13	.612	15.54
H	799-064H	1.655	42.03	.630	16.00
J	799-064J	1.678	42.62	.524	13.31
K	799-064K	2.053	52.15	.524	13.31
L	799-064L	1.891	48.03	.630	16.00
M	799-064M	1.952	49.58	.714	18.14

799-065 Receptacle Dust Caps for Series 791 Pin Connectors



Shell Size	Dust Cap for Receptacle (Pin) Connectors	A Max		B Max	
		In.	mm.	In.	mm.
A	799-065A	.698	17.73	.594	15.09
B	799-065B	.848	21.54	.594	15.09
C	799-065C	.998	25.35	.594	15.09
D	799-065D	1.073	27.25	.594	15.09
E	799-065E	1.223	31.06	.594	15.09
F	799-065F	1.373	34.87	.594	15.09
G	799-065G	1.335	33.09	.682	17.32
H	799-065H	1.725	43.82	.700	17.78
J	799-065J	1.748	44.40	.594	15.09
K	799-065K	2.123	63.92	.594	15.09
L	799-065L	1.961	49.81	.700	17.78
M	799-065M	2.022	51.36	.784	19.91

Protective Covers for Series 791 Connectors

799-038 and 799-039 Metal Protective Covers



IP68 Ingress Protection. Conductive Rubber Gasket. Protect Series 791 connectors with metal covers. Conductive fluorosilicone rubber gasket prevents moisture intrusion. Plug cover has nickel-plated EMI spring.

Construction	
■	Shell: aluminum alloy
■	Gasket: conductive fluorosilicone
■	Ground spring: copper alloy, nickel plated

Table 2 Attachment Code

Ring Terminal		
Ring Code	Inside Diameter	
	In.	mm.
01	.126	3.20
02	.145	3.68
04	.188	4.78
06	.197	5.00

Solid Ring		
Ring Code	Inside Diameter	
	In.	mm.
14	.385	9.78
15	.445	11.30
16	.570	14.48
17	.635	16.13
18	.695	17.65
19	.885	22.48
20	1.070	27.18

Split Ring		
Ring Code	Inside Diameter	
	In.	mm.
50	.425	10.80
52	.485	12.32
54	.640	16.26
56	.750	19.05
58	.890	22.61
60	1.010	25.65
64	1.125	28.58
68	1.345	34.16

How To Order

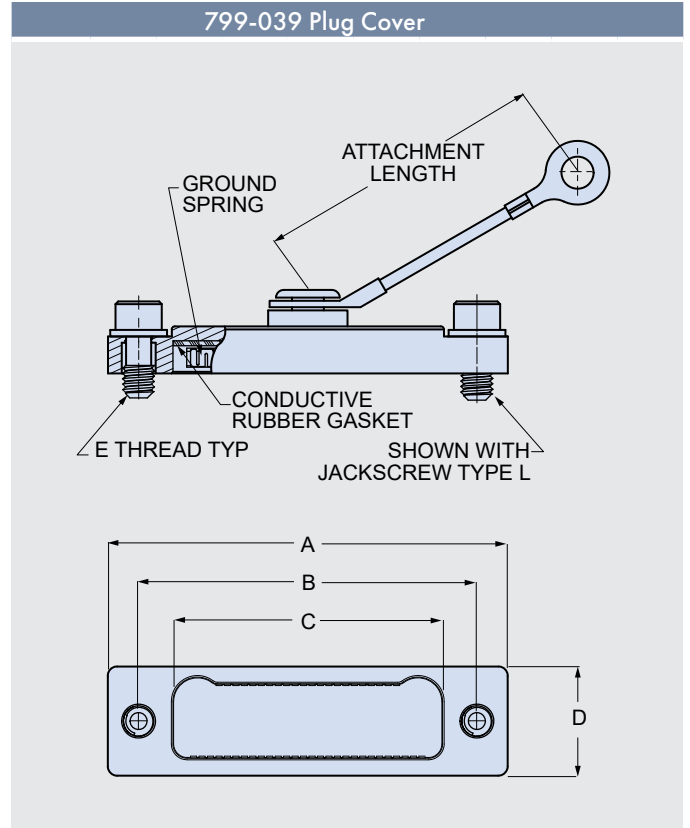
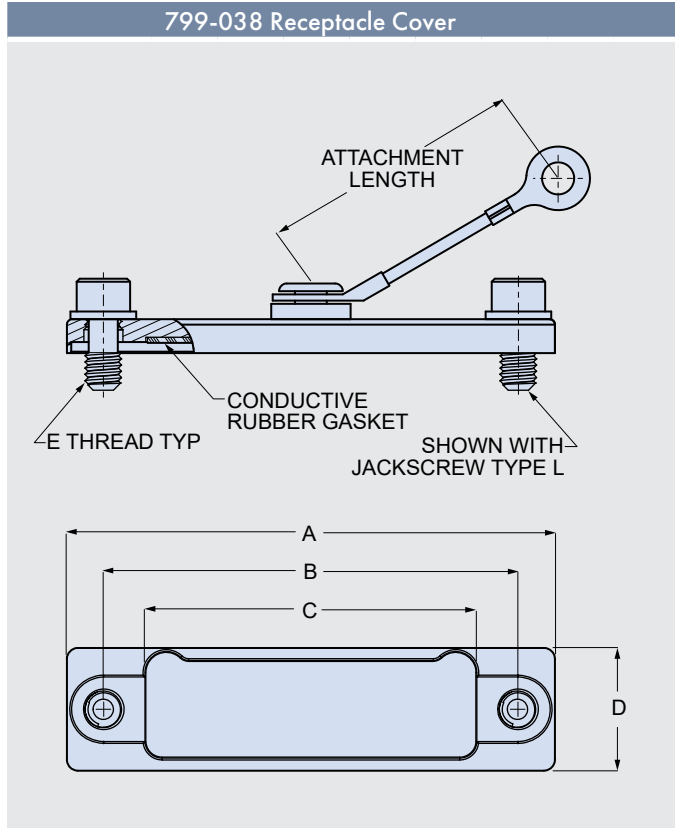
Sample Part Number	799-038	M	H	P	G	6	-04
Product	799-038 = Receptacle cover 799-039 = Plug cover						
Shell Finish	M = Electroless Nickel MT = Nickel-PTFE ZR = Black Zinc-Nicke						
Shell Size	A B C D E F G H J K L M						
Jackscrew Option	L = Low profile jackscrew, hex head P = Female jackpost N = No locking hardware						
Attachment Type (Table 1)	N = No attachment G = Nylon rope SK = Nylon rope with slip knot U = SST rope with polyurethane coating H = SST rope with FEP jacket						
Attachment Length	Omit for attachment type N. Attachment length in inches.						
Attachment Ring Code (Table 2)	Omit for attachment types N and SK. See Table 2 for ring styles and sizes						

Table 1 Attachment Lanyards

<p>Nylon Rope (G) -55° to +100°C, black, very flexible, very good abrasion resistance, good resistance to fuels, .120" (3mm) diameter</p>	<p>Teflon® Jacketed Wire Rope (H) Translucent FEP jacket over stainless steel, -55° to +200°C, fair flexibility, good abrasion resistance, .100" diameter</p>
<p>Polyurethane Coated Wire Rope (U) Black polyurethane over stainless steel rope, -55° to +125°C, very flexible, excellent abrasion resistance, excellent resistance to fuels, .080" (2mm) diameter</p>	<p>Slip Knot (SK) 55° to +100°C, black, very flexible, very good abrasion resistance, good resistance to fuels, .120" (3mm) diameter. Length includes .5" (13mm) diameter loop.</p>

Protective Covers for Series 791 Connectors

799-038 and 799-039 Metal Protective Covers



Dimensions

Shell Size	A		B		C Max		D Max		E Thd UNC
	In.	mm.	In.	mm.	In.	mm.	In.	mm.	
A	1.005	25.53	.750	19.05	.525	13.34	.500	12.70	4-40
B	1.155	29.34	.900	22.86	.675	17.15	.500	12.70	4-40
C	1.305	33.15	1.050	26.67	.825	20.96	.500	12.70	4-40
D	1.380	35.05	1.125	28.58	.900	22.86	.500	12.70	4-40
E	1.530	38.86	1.275	32.39	1.050	26.67	.500	12.70	4-40
F	1.680	42.67	1.425	36.20	1.200	30.48	.500	12.70	4-40
G	1.643	41.73	1.388	35.26	1.162	29.17	.595	15.11	4-40
H	2.295	58.29	1.900	48.26	1.556	39.52	.615	15.62	6-32
J	2.055	52.20	1.800	45.72	1.575	40.01	.500	12.70	4-40
K	2.430	61.72	2.175	55.25	1.950	49.53	.500	12.70	4-40
L	2.531	64.29	2.136	54.25	1.792	45.52	.615	15.62	6-32
M	2.600	66.04	2.200	55.88	1.855	47.12	.710	16.76	8-32

Dimensions

Shell Size	A		B		C Max		D Max		E Thd UNC
	In.	mm.	In.	mm.	In.	mm.	In.	mm.	
A	.975	24.77	.750	19.05	.448	11.30	.415	10.54	4-40
B	1.125	28.58	.900	22.86	.595	15.11	.415	10.54	4-40
C	1.275	32.39	1.050	26.67	.745	18.92	.415	10.54	4-40
D	1.350	34.29	1.125	28.58	.820	20.83	.415	10.54	4-40
E	1.500	38.10	1.275	32.39	.970	24.64	.415	10.54	4-40
F	1.650	41.91	1.425	36.20	1.120	28.45	.415	10.54	4-40
G	1.608	40.84	1.388	35.26	1.082	27.48	.500	12.70	4-40
H	2.275	57.79	1.900	48.26	1.472	37.39	.520	13.21	6-32
J	2.025	51.44	1.800	45.72	1.495	37.97	.415	10.54	4-40
K	2.400	60.96	2.175	55.25	1.865	47.37	.415	10.54	4-40
L	2.511	63.78	2.136	54.25	1.708	43.38	.520	13.21	6-32
M	2.515	63.88	2.200	55.88	1.769	44.95	.610	15.49	8-32

X-ON Electronics

Largest Supplier of Electrical and Electronic Components

Click to view similar products for [D-Sub Tools & Hardware](#) category:

Click to view products by [Glenair](#) manufacturer:

Other Similar products are found below :

[000-01-09-132](#) [000-01-21-132](#) [000-01-31-162](#) [572019-00105-70](#) [000-01-37-162](#) [621-250-113-115](#) [D110550-2](#) [D20418-137](#) [780-518-50SG6-WS](#) [86552009](#) [86553115TLF](#) [86553117TLF](#) [1230032-1](#) [1-5021101-2](#) [1589283-4](#) [160-000-005R031](#) [16-000230](#) [160-025-004R031](#) [160-020-209R000](#) [160X10909X](#) [164C03939A](#) [177-505-A-2-2](#) [1-966830-8](#) [21018-6](#) [2-1393560-9](#) [JS-1000](#) [L17D204182M3E](#) [L17D53018](#) [300X10779X](#) [160X10189X](#) [160X10419X](#) [162-000-050R000](#) [21018-5](#) [212561-3](#) [248C21550X](#) [CF15P](#) [D110277](#) [D20418-135](#) [500-008NF1K-01](#) [500-008NF3R3KS-01](#) [500-017M09FN](#) [500-017M15MHN](#) [500-024M1](#) [500-068M3](#) [5-1393561-5](#) [C115373-0001](#) [C115373-0002](#) [3342-4-KIT](#) [K1003](#) [L17D4M68711](#)