



# Series 800 Mighty Mouse, UN Mating Thread Receptacle with Rear Release Crimp Contacts

## 800-010 and 800-011 Ordering Information



Rear Panel Mount Jam-Nut

**Series 800 Receptacle Connectors** feature machined aluminum or stainless steel shells. Supplied with crimp removable contacts. Terminate contacts with standard M22520 tools. Fluorosilicone interfacial seal and rear grommet protect connector from water ingress. Terminate cable shield directly to 800-010 connector body with Band-Master® ATS band, or choose 800-011 with accessory thread to attach optional cable clamp or backshell.

C

How To Order		800-011	-01	M	6-7	P	N
Sample Part Number							
Series (See Table I)	800-010 = With Banding Platform 800-011 = With Accessory Thread						
Shell Style (See Table II)	-01 = Cable Receptacle -02 = Square Flange, Front or Rear Panel Mount -07 = Jam-Nut, Rear Panel Mount						
Shell Material and Finish	C = Aluminum / Black Anodize (Non-Conductive) M = Aluminum / Electroless Nickel NF = Aluminum / Cadmium with Olive Drab Chromate ZNU = Aluminum / Zinc-Nickel with Black Chromate MT = Aluminum / Nickel-PTFE Z1 = Stainless Steel / Passivated						
Shell Size - Insert Arrangement	See Contact Arrangements page C-2						
Contact Type	<p><b>Connector supplied with crimp contacts</b></p> <p>P = Pin S = Socket</p> <p>Signal and/or power contacts are not installed. Coaxial contacts and non-standard signal contacts are ordered separately.</p>	<p><b>Connector supplied without contacts</b></p> <p>A = Pin Connector B = Socket Connector</p>	<p><b>Connector supplied with 30 AWG crimp contacts</b></p> <p>G = Pin H = Socket</p>				
Polarization (See Table III)	N = Normal X = Pos. X Y = Pos. Y Z = Pos. Z						

Table I: Series	
800-010 Receptacle with Band Platform	800-011 Receptacle with Accessory Thread

Table III: Keyway Positions <sup>6,7</sup>	
Shell Size 5 and 6	Shell Size 7 thru 12
Key Position	Key Rotation
N Normal	150°
X	140°
Y	130°
Z	120°

Table II: Shell Style		
-01 In-Line	-02 Square Flange, Rear Mount	-07 Jam-Nut, Rear Panel Mount

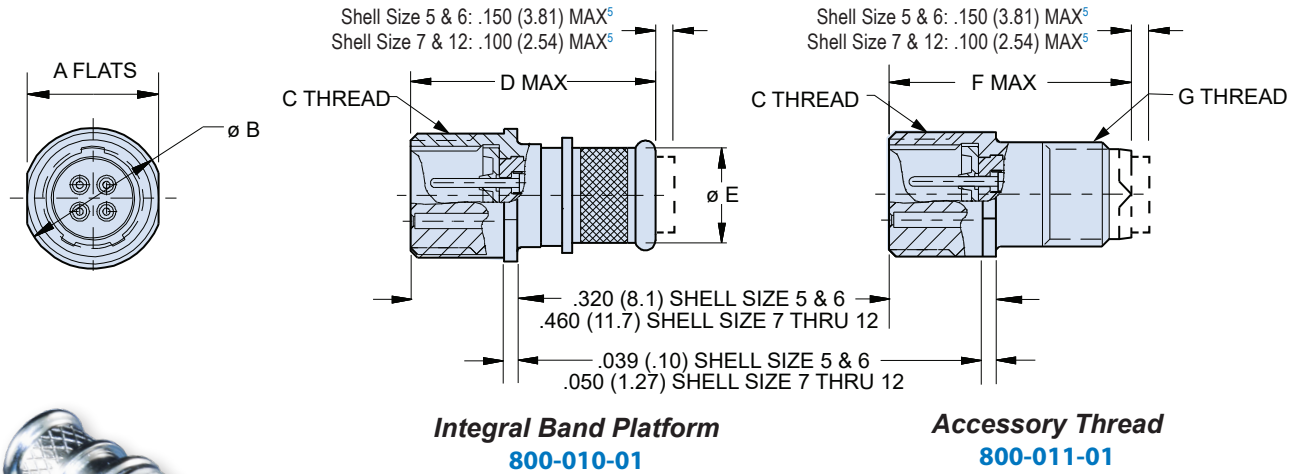
Dimensions in Inches (millimeters) are subject to change without notice.

**Series 800 Mighty Mouse  
Receptacle with Rear Release Crimp Contacts  
800-010-01 and 800-011-01 Dimensions**



Series 800

**In-line cable receptacle - shell style 01**



Dimensions							
Shell Size	A Flats	Ø B	C Threads Mating	D Max.	Ø E	F Max.	G Threads Accessory
5	.312 (7.92)	.355 (9.02)	.3125-28 UN-2A	.750 (19.05)	.230 (5.84)	.725 (18.42)	.250-32 UNEF-2A
6	.375 (9.52)	.400 (10.16)	.3750-28 UN-2A	.750 (19.05)	.286 (7.26)	.725 (18.42)	.3125-32 UNEF-2A
7	.445 (11.30)	.490 (12.45)	.4375-28 UNEF-2A	.825 (20.96)	.390 (9.91)	.800 (20.32)	.4375-28 UNEF-2A
8	.550 (13.97)	.600 (15.24)	.5000-32 UN-2A	.825 (20.96)	.445 (11.30)	.800 (20.32)	.5000-28 UNEF-2A
9	.613 (15.57)	.663 (16.84)	.5625-32 UN-2A	.825 (20.96)	.500 (12.70)	.800 (20.32)	.5625-24 UNEF-2A
10	.675 (17.15)	.725 (18.42)	.6250-32 UN-2A	.825 (20.96)	.565 (14.35)	.800 (20.32)	.6250-24 UNEF-2A
12	.800 (20.32)	.850 (21.59)	.7500-28 UN-2A	.825 (20.96)	.650 (16.51)	.800 (20.32)	.6875-24 UNEF-2A

**NOTES**

- Contacts are size 23 crimp type, and used in a rear release retention system
- Additional insert arrangements available, consult factory
- Crimp barrel accommodates 22, 24, 26 and 28 gage wire
- Crimp tool data:
  - Crimp frame: M22520/2-01
  - Positioner for use with crimp frame: Glenair P/N 809-005
  - Insertion/extraction tool: Glenair P/N 809-008

- Grommet protrudes for power/combo arrangements
- Shell sizes 5 thru 6 and insert arrangement 8-13:** master key is located at top dead center (TDC) for normal (N) position.
- Shell size 7 thru 12:** master key is rotated 90° from TDC for normal position

**Material / finish:**

- Shell: Aluminum Alloy or CRES / see How to Order Table
- Insulator: LCP or epoxy
- Interfacial seal, grommet seal: fluorosilicone or silicone
- Contact: copper alloy / gold plate per ASTM B 488, Type II, Class 1.25, over a suitable underplate

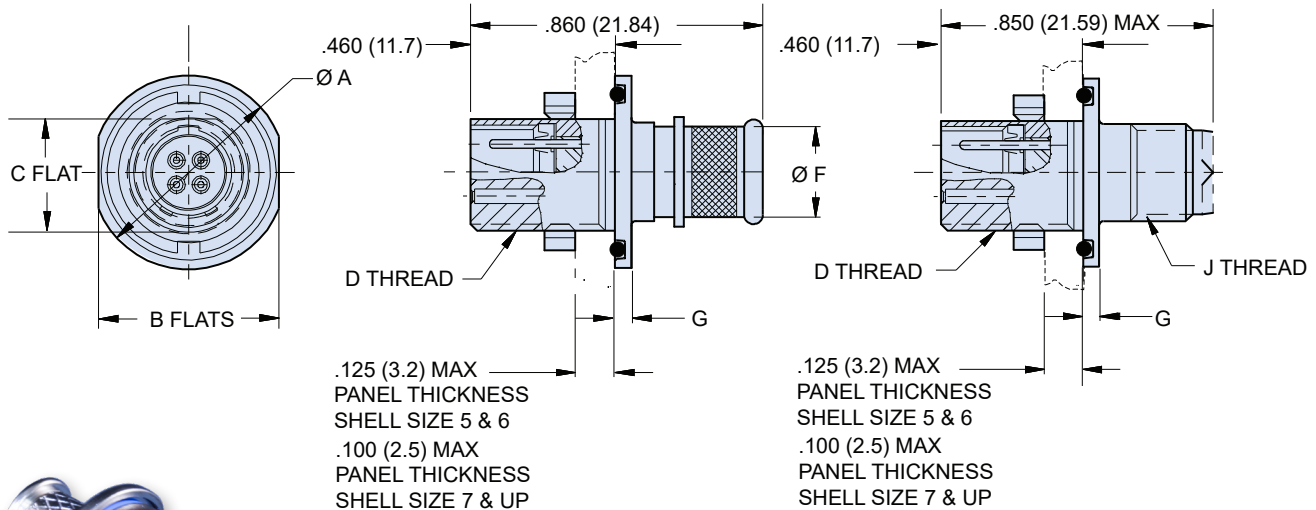
Dimensions in Inches (millimeters) are subject to change without notice.



# Series 800 Mighty Mouse, UN Mating Thread Receptacle with Rear Release Crimp Contacts

## 800-010 and 800-011 Dimensions

### Jam-nut, rear panel mount receptacle - shell style 07



**Integral Band Platform**  
800-010-07

**Accessory Thread**  
800-011-07



C

Dimensions							
Shell Size	Ø A	B Flat	C Flat	D Threads Mating	Ø F	G	J Threads Accessory
5	.541 (13.74)	.500 (12.70)	.285 (7.24)	.3125-28 UN-2A	.230 (5.84)	.051 (1.30)	.250-32 UNEF-2A
6	.610 (15.49)	.562 (14.27)	.352 (8.94)	.3750-28 UN-2A	.286 (7.26)	.051 (1.30)	.3125-32 UNEF-2A
7	.670 (17.02)	.635 (16.13)	.418 (10.62)	.4375-28 UNEF-2A	.390 (9.91)	.093 (2.36)	.4375-28 UNEF-2A
8	.775 (19.68)	.735 (18.67)	.473 (12.01)	.5000-32 UN-2A	.445 (11.30)	.093 (2.36)	.5000-28 UNEF-2A
9	.875 (22.23)	.806 (20.47)	.530 (13.46)	.5625-32 UN-2A	.500 (12.70)	.093 (2.36)	.5625-24 UNEF-2A
10	.980 (24.89)	.940 (23.88)	.604 (15.34)	.6250-32 UN-2A	.565 (14.35)	.093 (2.36)	.6250-24 UNEF-2A
12	1.062 (26.97)	.986 (25.04)	.712 (18.08)	.7500-28 UN-2A	.650 (16.51)	.093 (2.36)	.6875-24 UNEF-2A

#### Material / finish:

- Shell, jam-nut: Aluminum Alloy or CRES / see How to Order Table
- Insulator: LCP or epoxy
- Interfacial seal, grommet seal: fluorosilicone or silicone
- Contact: copper alloy / gold plate per ASTM B 488, Type II, Class 1.25, over a suitable underplate

Jam-Nut Panel Cut Out					
Shell Size	Ø M +.005 (.13) -.000 (.00)	N Flat ±.002 (.05)	Shell Size	Ø M +.005 (.13) -.000 (.00)	N Flat ±.002 (.05)
5	.317 (8.05)	.297 (7.54)	9	.567 (14.40)	.539 (13.69)
6	.380 (9.65)	.360 (9.14)	10	.630 (16.00)	.612 (15.54)
7	.443 (11.25)	.426 (10.82)	12	.755 (19.18)	.717 (18.21)
8	.505 (12.83)	.481 (12.22)			

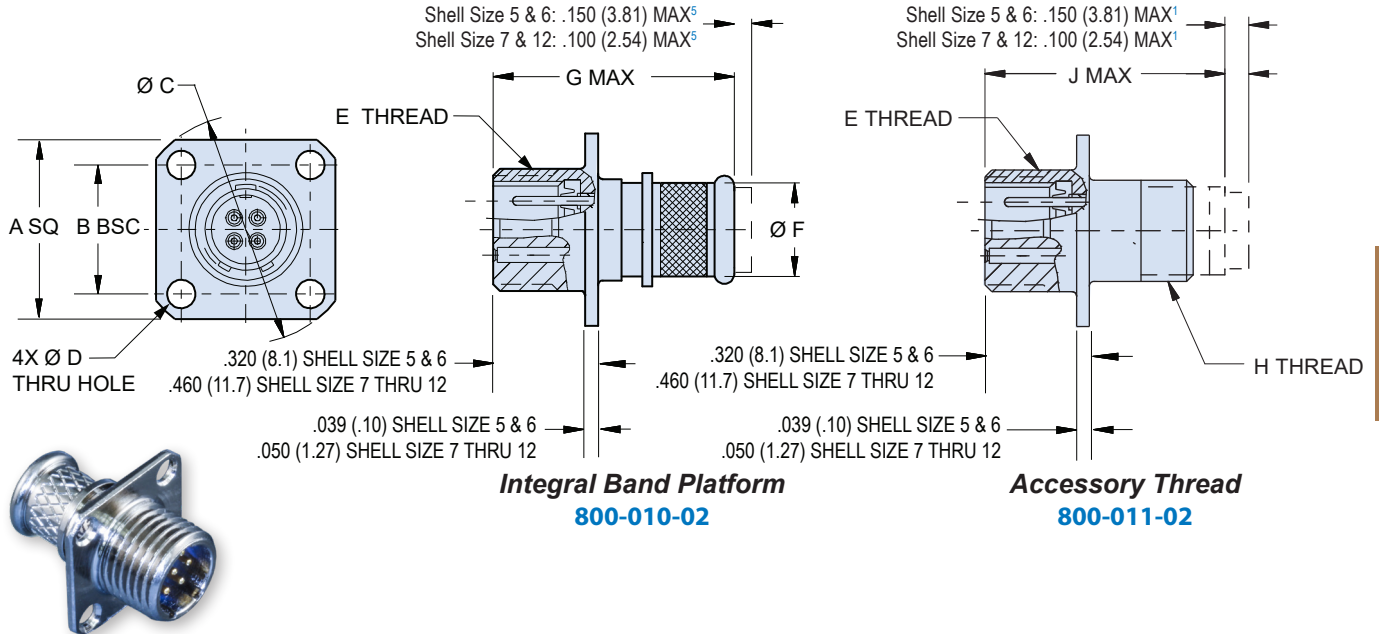
Dimensions in Inches (millimeters) are subject to change without notice.

# Series 800 Mighty Mouse Receptacle with Rear Release Crimp Contacts 800-010 and 800-011 Dimensions



Series 800

## Square flange rear panel mount receptacle - shell style 02



Dimensions									
Shell Size	A SQ	B Bsc	Ø C	Ø D ± .005 (± 0.13)	E Threads Mating	Ø F	G Max.	H Threads Accessory	J Max.
5	.527 (13.39)	.363 (9.22)	.680 (17.27)	.094 (2.39)	.3125-28 UN-2A	.230 (5.84)	.730 (18.54)	.250-32 UNEF-2A	.725
6	.588 (14.94)	.423 (10.74)	.750 (19.05)	.094 (2.39)	.3750-28 UN-2A	.286 (7.26)	.730 (18.54)	.3125-32 UNEF-2A	.725
7	.650 (16.51)	.483 (12.27)	.830 (21.08)	.128 (3.25)	.4375-28 UNEF-2A	.390 (9.91)	.805 (20.45)	.4375-28 UNEF-2A	.800
8	.710 (18.03)	.542 (13.77)	.938 (23.83)	.128 (3.25)	.5000-32 UN-2A	.445 (11.30)	.805 (20.45)	.5000-28 UNEF-2A	.800
9	.938 (23.83)	.719 (18.26)	1.250 (31.75)	.128 (3.25)	.5625-32 UN-2A	.500 (12.70)	.805 (20.45)	.5625-24 UNEF-2A	.800
10	.938 (23.83)	.719 (18.26)	1.250 (31.75)	.128 (3.25)	.6250-32 UN-2A	.565 (14.35)	.805 (20.45)	.6250-24 UNEF-2A	.800
12	1.031 (26.19)	.812 (20.62)	1.375 (34.92)	.128 (3.25)	.7500-28 UN-2A	.650 (16.51)	.805 (20.45)	.6875-24 UNEF-2A	.800

**Material / finish:**

- Shell: Aluminum Alloy or CRES / see How to Order Table
- Insulator: LCP or epoxy
- Interfacial seal, grommet seal: fluorosilicone or silicone
- Contact: copper alloy / gold plate per ASTM B 488, Type II, Class 1.25, over a suitable underplate

Dimensions in Inches (millimeters) are subject to change without notice.

## X-ON Electronics

Largest Supplier of Electrical and Electronic Components

*Click to view similar products for [Circular MIL Spec Connector](#) category:*

*Click to view products by [Glenair](#) manufacturer:*

Other Similar products are found below :

[89075GULPR](#) [0025-262-542](#) [0025-264-3014](#) [58-570121-04S](#) [0134-213-1208](#) [0134-213-2209](#) [0025-258-000](#) [60-042022-07P](#) [60-042022-19P](#)  
[60-042022-23P](#) [60-042217-10P](#) [0114-201-1278](#) [012-0467-000](#) [602GB06EG24-61SN](#) [0134-201-1207](#) [0134-213-1006](#) [6104-207-2302](#) [6104-](#)  
[208-1902](#) [61-168211-04P](#) [61-168617-10P](#) [6131-202-19149P](#) [6131-204-21149P](#) [6131-208-13149P](#) [6131-209-17149P](#) [6131-210-11149P](#) [6131-](#)  
[211-19149P](#) [6131-216-19149P](#) [6131-259-21149P](#) [6131-259-23149P](#) [6131-265-17149P](#) [6131-265-19149P](#) [CS3100A18-1P-472](#) [CS3100A-36-](#)  
[77P](#) [CS3101A-16-55P](#) [CS3102A-10SL-55P](#) [CS3102A-14S-58P](#) [CS3102A-32-17P](#) [CS3102A32-25S](#) [CS3102C18-4P-472](#)  
[CS3106A10SL3S004](#) [CS3106A-18-73S](#) [CS3108A-14S-52S](#) [CS3108A-28-51S](#) [6162-233-1277](#) [6162-324-1231](#) [M243082296Z](#)  
[M2884010AC1S1](#) [CT0-24-10SC](#) [CT0M20-7PCAU](#) [M28840/17AC1G3](#)