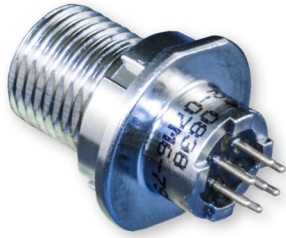




# Series 800 Mighty Mouse, UN Mating Thread PCB Receptacle with PC Tails or Solder Cups

## 800-012 and 800-040 Ordering Information



Rear Panel Mount Jam-Nut

**Environmental, PCB Receptacle** 800-012 connectors feature low profile shells for minimum protrusion inside enclosures and integral board standoffs. Contacts are non-removable. Specify 800-012 connectors for applications where open face water immersion is not a requirement.

**Water Tight PCB Receptacle** 800-040 connectors are identical to 800-012 but are specially sealed ("MOD-518") and 100% tested to maintain a helium leak rate of less than  $1 \times 10^{-4}$  cc/second at one atmosphere pressure differential. Connectors meet MIL-STD-810 Method 512G immersion requirements in unmated/open face condition.

### How To Order

Sample Part Number	800-012	-07	M	7-10	P	Z
<b>Series</b>	800-012 = Environmental Receptacle with Solder Cups or PC Tails 800-040 = Receptacle, same as 800-012,					
<b>Shell Style (See Table I)</b>	-02 = Square Flange -07 = Jam-Nut (See Jam-Nut Panel Cutout Dimensions Page C-3)					
<b>Shell Material and Finish</b>	C = Aluminum / Black Anodize (Non-Conductive) M = Aluminum / Electroless Nickel NF = Aluminum / Cadmium with Olive Drab Chromate ZNU = Aluminum / Zinc-Nickel with Black Chromate MT = Aluminum / Nickel-PTFE Z1 = Stainless Steel / Passivated					
<b>Shell Size - Insert Arrangement</b>	See Contact Arrangements page C-2					
<b>Contact Type</b>	P = Pin, PC Tail S = Socket, PC Tail		E = Pin, Solder Cup F = Socket, Solder Cup			
<b>Polarization (See Table II)</b>	N = Normal X = Pos. X Y = Pos. Y Z = Pos. Z					

Table I: Shell Style


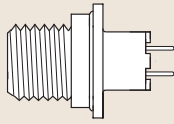
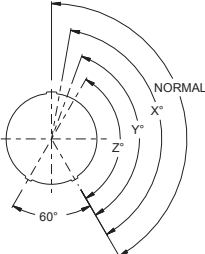
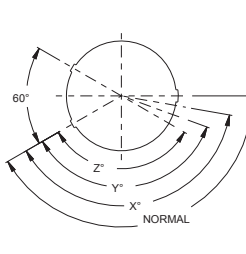
	
-02 Square Flange Front Mount	-07 Jam-Nut for Rear Panel Mounting

Table II: Shell Key Positions<sup>1,2</sup>

Shell Size 5 and 6	Shell Size 7 thru 12
	
Key Position	Key Rotation
N Normal	150°
X	140°
Y	130°
Z	120°

### Material / finish:

- Receptacle shell: aluminum alloy or CRES / see How to Order Table
- Insulator: LCP or epoxy / N.A.
- Interfacial seal, O-ring: fluorosilicone rubber
- Contact: copper alloy / gold plate per ASTM B 488, Type II, Class 1.25, over a suitable underplate
- Potting compound: epoxy

### NOTE

1. Shell sizes 5 thru 6 and insert arrangement 8-13: master key is located at top dead center (TDC) for normal (N) position.
2. Shell size 7 thru 12: master key is rotated 90° from TDC for normal position

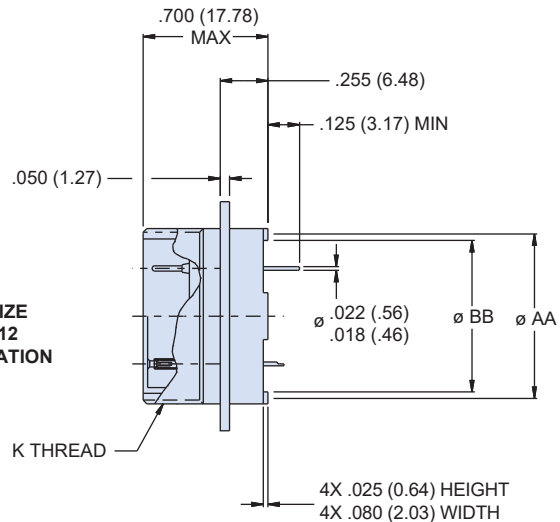
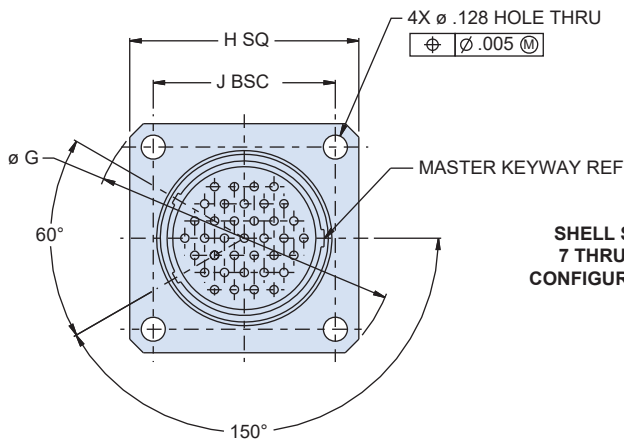
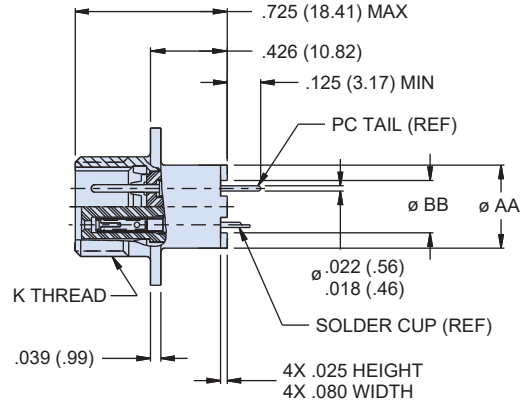
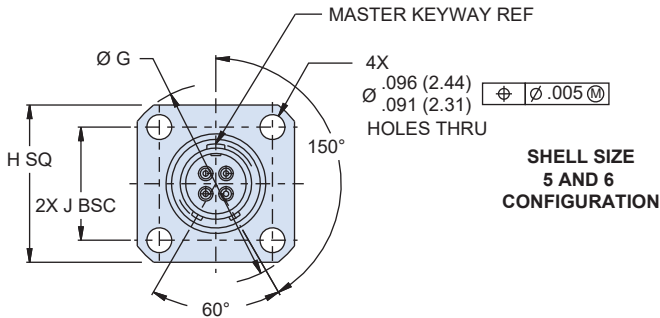
Dimensions in Inches (millimeters) are subject to change without notice.

# Series 800 Mighty Mouse, UN Mating Thread PCB Receptacle with PC Tails or Solder Cups 800-012 and 800-040 Dimensions



Series 800

## Square flange mount receptacle - shell style 02



Dimensions						
Shell Size	Ø G	H SQ	J BSC	K Thread	Ø AA O.D.	Ø BB I.D.
5	.680 (17.27)	.527 (13.39)	.363 (9.22)	.3125-28 UN-2A	.265 (6.73)	.186 (4.72)
6	.750 (19.05)	.588 (14.94)	.423 (10.74)	.3750-28 UN-2A	.330 (8.38)	.238 (6.05)
7	.850 (21.59)	.650 (16.51)	.483 (12.27)	.4375-28 UNEF-2A	.424 (10.77)	.327 (8.31)
8	.938 (23.83)	.710 (18.03)	.542 (13.77)	.5000-32 UN-2A	.448 (11.38)	.388 (9.86)
9	1.250 (31.75)	.938 (23.83)	.719 (18.26)	.5625-32 UN-2A	.500 (12.70)	.446 (11.33)
10	1.250 (31.75)	.938 (23.83)	.719 (18.26)	.6250-32 UN-2A	.575 (14.60)	.515 (13.08)
12	1.375 (34.92)	1.031 (26.19)	.812 (20.62)	.7500-28 UN-2A	.660 (16.76)	.599 (15.21)

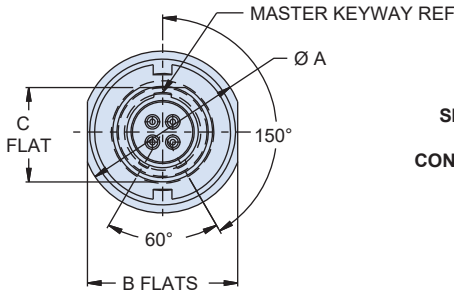
Dimensions in Inches (millimeters) are subject to change without notice.



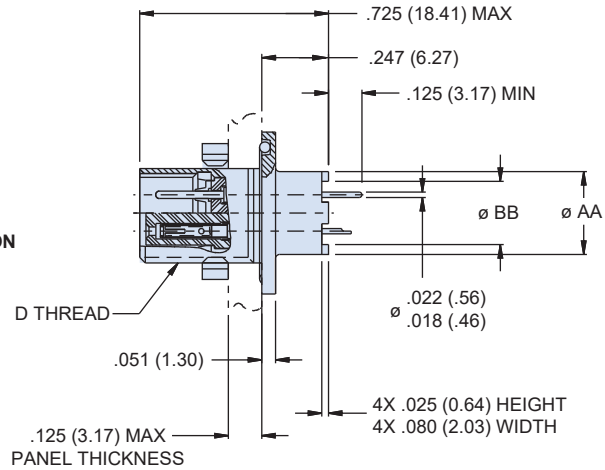
# Series 800 Mighty Mouse, UN Mating Thread PCB Receptacle with PC Tails or Solder Cups

## 800-012 and 800-040 Dimensions

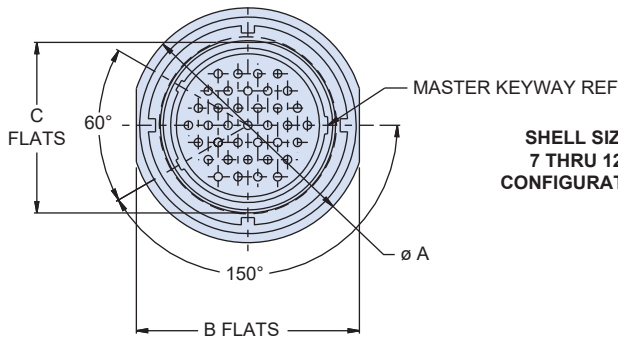
### Jam-nut mount receptacle - shell style 07



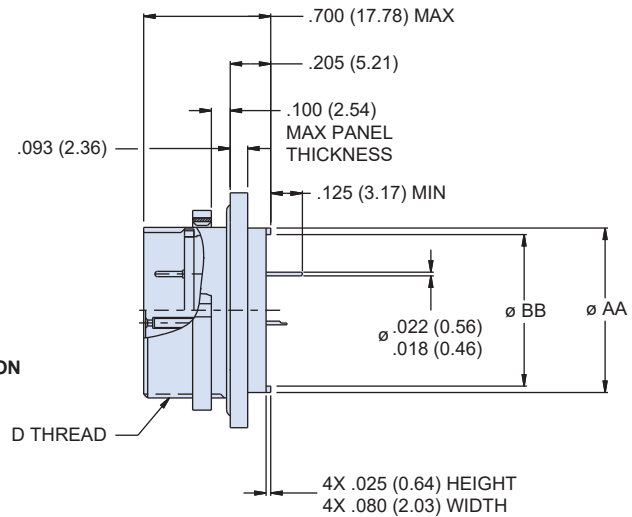
**SHELL SIZE 5 AND 6 CONFIGURATION**



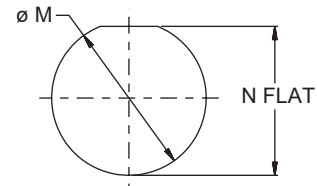
C



**SHELL SIZE 7 THRU 12 CONFIGURATION**



Dimensions						
Shell Size	Ø A	B Flat	C Flat	D Thread	Panel Cutout	
					Ø M +.005 (.13) -.000 (.00)	N Flat ±.002 (.05)
5	.541 (13.74)	.500 (12.70)	.285 (7.24)	.3125-28 UN-2A	.317 (8.05)	.297 (7.54)
6	.610 (15.49)	.562 (14.27)	.352 (8.94)	.3750-28 UN-2A	.380 (9.65)	.360 (9.14)
7	.670 (17.02)	.635 (16.13)	.411 (10.44)	.4375-28 UNEF-2A	.443 (11.25)	.426 (10.82)
8	.775 (19.68)	.735 (18.67)	.473 (12.01)	.5000-32 UN-2A	.505 (12.83)	.481 (12.22)
9	.875 (22.23)	.806 (20.47)	.530 (13.46)	.5625-32 UN-2A	.567 (14.40)	.539 (13.69)
10	.980 (24.89)	.940 (23.88)	.604 (15.34)	.6250-32 UN-2A	.630 (16.00)	.610 (15.49)
12	1.062 (26.97)	.986 (25.04)	.712 (18.08)	.7500-28 UN-2A	.755 (19.18)	.717 (18.21)



**Jam-Nut Panel Cut Out**

Dimensions in Inches (millimeters) are subject to change without notice.

## X-ON Electronics

Largest Supplier of Electrical and Electronic Components

*Click to view similar products for [Circular MIL Spec Connector](#) category:*

*Click to view products by [Glenair](#) manufacturer:*

Other Similar products are found below :

[0025-262-542](#) [0025-264-3014](#) [58-570121-04S](#) [0134-202-1200](#) [0134-207-1206](#) [0134-207-1800](#) [0134-207-2207](#) [0134-213-0806](#) [0134-213-1007](#) [0134-213-1009](#) [0134-213-1208](#) [0134-213-1800](#) [0134-213-2209](#) [0025-258-000](#) [015-9516-002](#) [60-042722-19P](#) [0114-201-1278](#) [602GB06EG24-61SN](#) [0134-201-1207](#) [0134-201-1806](#) [0134-201-2006](#) [0134-201-2007](#) [0134-201-2010](#) [0134-202-1400](#) [0134-207-0809](#) [0134-207-1208](#) [0134-207-2009](#) [0134-213-1006](#) [6104-207-2302](#) [6104-208-1902](#) [6131-202-19149P](#) [6131-204-21149P](#) [6131-207-13149P](#) [6131-208-13149P](#) [6131-209-17149P](#) [6131-210-11149P](#) [6131-211-19149P](#) [6131-216-19149P](#) [6131-220-25149P](#) [6131-259-11149P](#) [6131-259-21149P](#) [6131-259-23149P](#) [6131-263-19149P](#) [6131-265-17149P](#) [6131-265-19149P](#) [CS3102A-20-15P](#) [CS3102A-20-15S](#) [CS3102C18-4P-472](#) [CS3106A-20-29P](#) [CS3106A-20-74P](#)