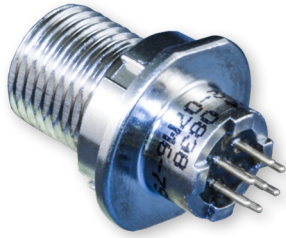




Series 800 Mighty Mouse, UN Mating Thread PCB Receptacle with PC Tails or Solder Cups

800-012 and 800-040 Ordering Information



Rear Panel Mount Jam-Nut

Environmental, PCB Receptacle 800-012 connectors feature low profile shells for minimum protrusion inside enclosures and integral board standoffs. Contacts are non-removable. Specify 800-012 connectors for applications where open face water immersion is not a requirement.

Water Tight PCB Receptacle 800-040 connectors are identical to 800-012 but are specially sealed ("MOD-518") and 100% tested to maintain a helium leak rate of less than 1×10^{-4} cc/second at one atmosphere pressure differential. Connectors meet MIL-STD-810 Method 512G immersion requirements in unmated/open face condition.

How To Order

Sample Part Number	800-012	-07	M	7-10	P	Z
Series	800-012 = Environmental Receptacle with Solder Cups or PC Tails 800-040 = Receptacle, same as 800-012,					
Shell Style (See Table I)	-02 = Square Flange -07 = Jam-Nut (See Jam-Nut Panel Cutout Dimensions Page C-3)					
Shell Material and Finish	C = Aluminum / Black Anodize (Non-Conductive) M = Aluminum / Electroless Nickel NF = Aluminum / Cadmium with Olive Drab Chromate ZNU = Aluminum / Zinc-Nickel with Black Chromate MT = Aluminum / Nickel-PTFE Z1 = Stainless Steel / Passivated					
Shell Size - Insert Arrangement	See Contact Arrangements page C-2					
Contact Type	P = Pin, PC Tail S = Socket, PC Tail		E = Pin, Solder Cup F = Socket, Solder Cup			
Polarization (See Table II)	N = Normal X = Pos. X Y = Pos. Y Z = Pos. Z					

Table I: Shell Style


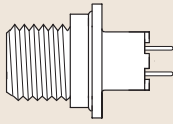
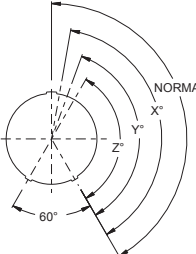
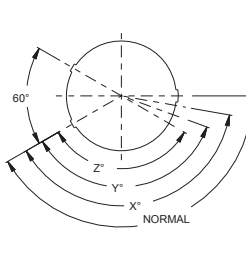
	
-02 Square Flange Front Mount	-07 Jam-Nut for Rear Panel Mounting

Table II: Shell Key Positions^{1,2}

Shell Size 5 and 6	Shell Size 7 thru 12
	
Key Position	Key Rotation
N Normal	150°
X	140°
Y	130°
Z	120°

Material / finish:

- Receptacle shell: aluminum alloy or CRES / see How to Order Table
- Insulator: LCP or epoxy / N.A.
- Interfacial seal, O-ring: fluorosilicone rubber
- Contact: copper alloy / gold plate per ASTM B 488, Type II, Class 1.25, over a suitable underplate
- Potting compound: epoxy

NOTE

1. Shell sizes 5 thru 6 and insert arrangement 8-13: master key is located at top dead center (TDC) for normal (N) position.
2. Shell size 7 thru 12: master key is rotated 90° from TDC for normal position

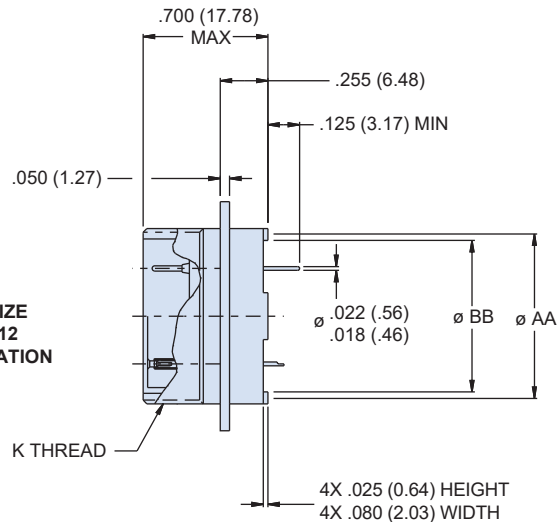
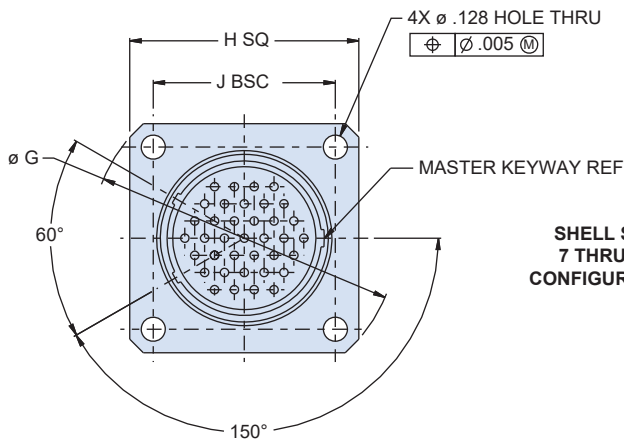
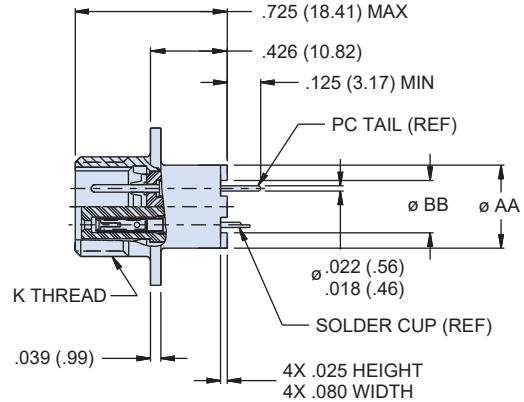
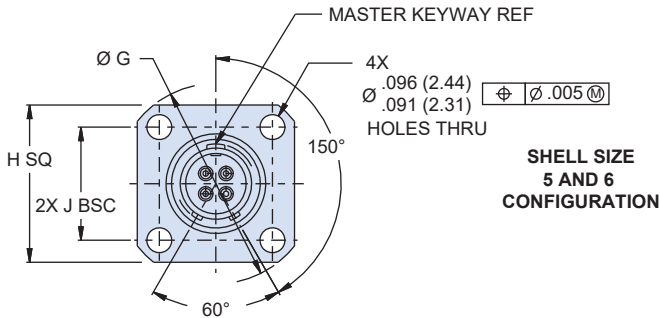
Dimensions in Inches (millimeters) are subject to change without notice.

Series 800 Mighty Mouse, UN Mating Thread PCB Receptacle with PC Tails or Solder Cups 800-012 and 800-040 Dimensions



Series 800

Square flange mount receptacle - shell style 02



Dimensions						
Shell Size	Ø G	H SQ	J BSC	K Thread	Ø AA O.D.	Ø BB I.D.
5	.680 (17.27)	.527 (13.39)	.363 (9.22)	.3125-28 UN-2A	.265 (6.73)	.186 (4.72)
6	.750 (19.05)	.588 (14.94)	.423 (10.74)	.3750-28 UN-2A	.330 (8.38)	.238 (6.05)
7	.850 (21.59)	.650 (16.51)	.483 (12.27)	.4375-28 UNEF-2A	.424 (10.77)	.327 (8.31)
8	.938 (23.83)	.710 (18.03)	.542 (13.77)	.5000-32 UN-2A	.448 (11.38)	.388 (9.86)
9	1.250 (31.75)	.938 (23.83)	.719 (18.26)	.5625-32 UN-2A	.500 (12.70)	.446 (11.33)
10	1.250 (31.75)	.938 (23.83)	.719 (18.26)	.6250-32 UN-2A	.575 (14.60)	.515 (13.08)
12	1.375 (34.92)	1.031 (26.19)	.812 (20.62)	.7500-28 UN-2A	.660 (16.76)	.599 (15.21)

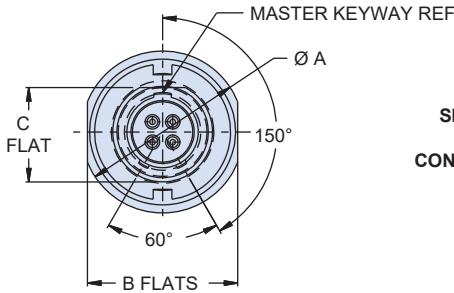
Dimensions in Inches (millimeters) are subject to change without notice.



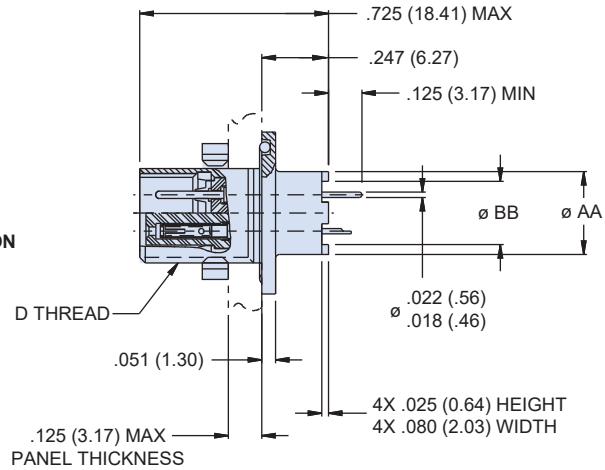
Series 800 Mighty Mouse, UN Mating Thread PCB Receptacle with PC Tails or Solder Cups

800-012 and 800-040 Dimensions

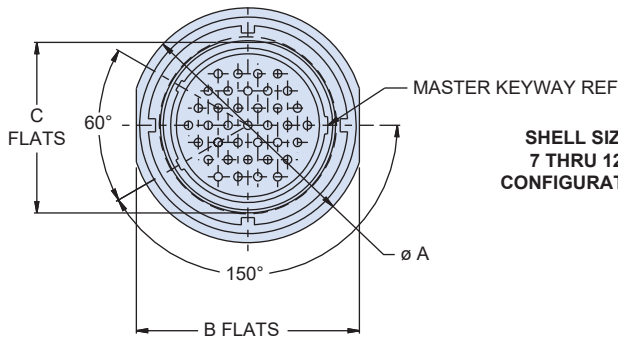
Jam-nut mount receptacle - shell style 07



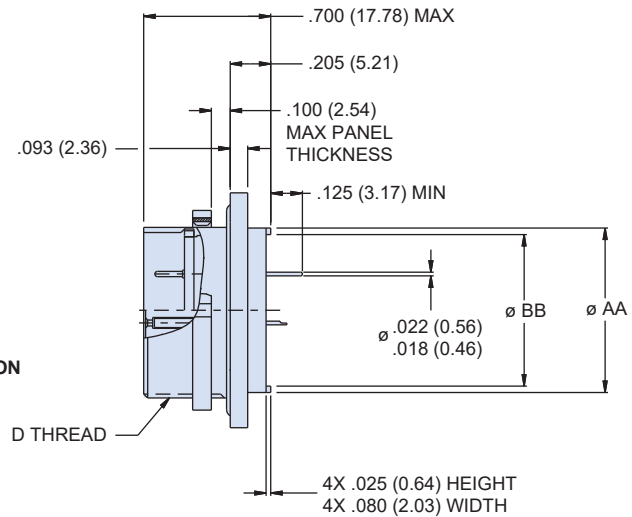
SHELL SIZE 5 AND 6 CONFIGURATION



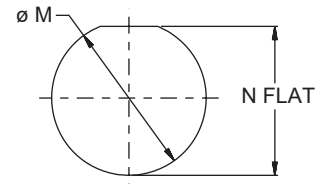
C



SHELL SIZE 7 THRU 12 CONFIGURATION



Dimensions						
Shell Size	Ø A	B Flat	C Flat	D Thread	Panel Cutout	
					Ø M +.005 (.13) -.000 (.00)	N Flat ±.002 (.05)
5	.541 (13.74)	.500 (12.70)	.285 (7.24)	.3125-28 UN-2A	.317 (8.05)	.297 (7.54)
6	.610 (15.49)	.562 (14.27)	.352 (8.94)	.3750-28 UN-2A	.380 (9.65)	.360 (9.14)
7	.670 (17.02)	.635 (16.13)	.411 (10.44)	.4375-28 UNEF-2A	.443 (11.25)	.426 (10.82)
8	.775 (19.68)	.735 (18.67)	.473 (12.01)	.5000-32 UN-2A	.505 (12.83)	.481 (12.22)
9	.875 (22.23)	.806 (20.47)	.530 (13.46)	.5625-32 UN-2A	.567 (14.40)	.539 (13.69)
10	.980 (24.89)	.940 (23.88)	.604 (15.34)	.6250-32 UN-2A	.630 (16.00)	.610 (15.49)
12	1.062 (26.97)	.986 (25.04)	.712 (18.08)	.7500-28 UN-2A	.755 (19.18)	.717 (18.21)



Jam-Nut Panel Cut Out

Dimensions in Inches (millimeters) are subject to change without notice.

X-ON Electronics

Largest Supplier of Electrical and Electronic Components

Click to view similar products for [Circular MIL Spec Connector](#) category:

Click to view products by [Glenair](#) manufacturer:

Other Similar products are found below :

[89075GULPR](#) [0025-262-542](#) [0025-264-3014](#) [58-570121-04S](#) [0134-213-1208](#) [0134-213-2209](#) [0025-258-000](#) [60-042022-07P](#) [60-042022-19P](#)
[60-042022-23P](#) [60-042217-10P](#) [0114-201-1278](#) [012-0467-000](#) [602GB06EG24-61SN](#) [0134-201-1207](#) [0134-213-1006](#) [6104-207-2302](#) [6104-](#)
[208-1902](#) [61-168211-04P](#) [61-168617-10P](#) [6131-202-19149P](#) [6131-204-21149P](#) [6131-208-13149P](#) [6131-209-17149P](#) [6131-210-11149P](#) [6131-](#)
[211-19149P](#) [6131-216-19149P](#) [6131-259-21149P](#) [6131-259-23149P](#) [6131-265-17149P](#) [6131-265-19149P](#) [CS3100A18-1P-472](#) [CS3100A-36-](#)
[77P](#) [CS3101A-16-55P](#) [CS3102A-10SL-55P](#) [CS3102A-14S-58P](#) [CS3102A-32-17P](#) [CS3102A32-25S](#) [CS3102C18-4P-472](#)
[CS3106A10SL3S004](#) [CS3106A-18-73S](#) [CS3108A-14S-52S](#) [CS3108A-28-51S](#) [6162-233-1277](#) [6162-324-1231](#) [M243082296Z](#)
[M2884010AC1S1](#) [CT0-24-10SC](#) [CT0M20-7PCAU](#) [M28840/17AC1G3](#)