



# Series 801 Mighty Mouse Double-Start ACME Thread Plug with Crimp Contacts

## 801-007 and 801-008 Ordering Information



**Series 801 Mighty Mouse Connector** features a double-start stub ACME thread for improved protection against cross-mating and thread damage. Connector shells are machined aluminum or stainless steel. Supplied with crimp contacts, packaged separately. Terminate contacts with standard M22520 tools. Metal clips inside the connector body lock contact into place. Contacts are removable. Fluorosilicone seals and rear grommet protect connector from water ingress. Terminate cable shield directly to band platform with Band-Master™ ATS strap or choose rear accessory thread to attach optional cable clamp or backshell.

### How To Order

Sample Part Number	801-007	-16	M	9-4	P	A
Series (See Table I)	801-007 = With Banding Platform 801-008 = With Rear Accessory Thread					
Shell Style	-16 = Plug with Anti-Decoupling Spring -26 = Self-Locking Plug with Ratchet Mechanism					
Shell Material and Finish	C = Aluminum / Black Anodize (Non-Conductive) M = Aluminum / Electroless Nickel NF = Aluminum / Cadmium with Olive Drab Chromate ZN = Aluminum / Zinc-Nickel with Olive Drab Chromate ZNU = Aluminum / Zinc-Nickel with Black Chromate MT = Aluminum / Nickel-PTFE Z1 = Stainless Steel / Passivated					
Shell Size - Insert Arrangement	See Contact Arrangements page D-3					
Contact Type	Connector supplied with crimp contacts P = Pin S = Socket	Connector supplied without contacts A = Pin Connector B = Socket Connector	Connector supplied with 30 AWG crimp contacts G = #23 Pin H = #23 Socket			
Polarization (See Table II)	A = Normal B = Pos. B C = Pos. C D = Pos. D E = Pos. E F = Pos. F G = Pos. G H = Pos. H J = Pos. J					

Connectors with signal and/or power crimp contacts are not installed.  
Coaxial contacts and non-standard signal contacts are ordered separately.

D

### NOTES

- Contacts are crimp type, and used in a rear release retention system
- Plug mates with all quick coupling high density receptacle connectors with same polarization and opposite contact gender (801-003 through 801-006 and 801-009 through 801-012)
- Connectors supplied with standard crimp contacts. For coax or other special contacts, order connector less contacts and order contacts separately
- For all insert arrangements with size #8 contacts, add .320" to overall length. For -26 shell style, add .127". For both, add .447"

Table I: Series

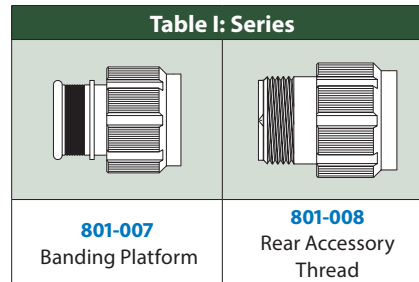


Table II: Key Positions

Position	A°	B°
<b>A</b>	150°	210°
<b>B</b>	75°	210°
<b>C</b>	95°	230°
<b>D</b>	140°	275°
<b>E</b>	75°	275°
<b>F</b>	95°	210°

Dimensions in Inches (millimeters) are subject to change without notice.

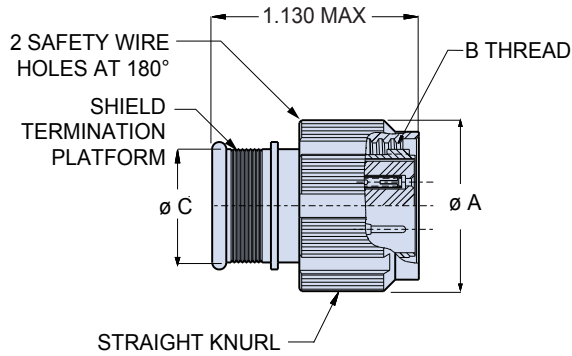
# Series 801 Mighty Mouse Double-Start ACME Thread Plug with Crimp Contacts

## 801-007 and 801-008 Dimensions

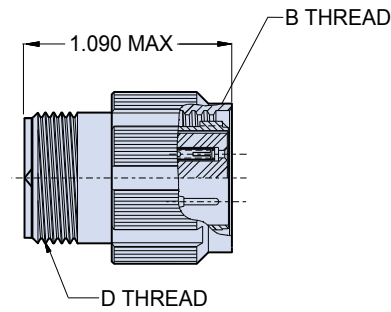


Series 801

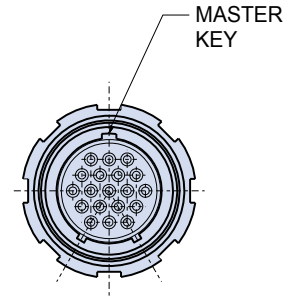
### Plug connector



**Integral Band Platform**  
**801-007**



**Accessory Thread**  
**801-008**



FACE VIEW OF PLUG AS VIEWED FROM ENGAGING END. SOCKET SIZE 9 SHOWN

Dimensions					
Shell Size	Ø A Style 16	Ø A Style 26	B Thread	Ø C	D Thread
5	0.54 (13.72)	0.65 (16.51)	.3125-.05P-.1L-DS-2B	.245 (6.22)	.2500-32 UNEF-2A
6	0.60 (15.24)	0.69 (17.53)	.3750-.05P-.1L-DS-2B	.290 (7.37)	.3125-32 UNEF-2A
7	0.69 (17.53)	0.79 (20.07)	.4375-.05P-.1L-DS-2B	.390 (9.91)	.4375-28 UNEF-2A
8	0.75 (19.05)	0.83 (21.08)	.5000-.05P-.1L-DS-2B	.445 (11.30)	.5000-28 UNEF-2A
9	0.81 (20.57)	0.92 (23.37)	.5625-.05P-.1L-DS-2B	.500 (12.70)	.5625-24 UNEF-2A
10	0.88 (22.35)	0.98 (24.89)	.6250-.05P-.1L-DS-2B	.560 (14.22)	.6250-24 UNEF-2A
11	0.92 (23.37)	1.02 (25.91)	.6875-.05P-.1L-DS-2B	.605 (15.37)	.6875-24 UNEF-2A
13	1.05 (26.67)	1.10 (27.94)	.8125-.1P-.2L-DS-2B	.650 (16.51)	.6875-24 UNEF-2A
16	1.24 (31.50)	1.34 (34.04)	1.0000-.1P-.2L-DS-2B	.805 (20.45)	.9375-20 UNEF-2A
17	1.30 (33.02)	1.45 (36.83)	1.0625-.1P-.2L-DS-2B	.850 (21.59)	.9375-20 UNEF-2A
19	1.40 (35.56)	1.50 (38.10)	1.1875-.1P-.2L-DS-2B	1.003 (25.48)	1.0625-18 UNEF-2A
21	1.55 (39.37)	1.65 (41.91)	1.3125-.1P-.2L-DS-2B	1.110 (28.19)	1.1875-18 UNEF-2A

**Material / finish:**

- Plug barrel, coupling nut: Aluminum Alloy or CRES; see How to Order Table
- Insulator: High grade rigid dielectric / N.A.
- Interfacial seal, grommet seal: fluorosilicone / N.A.
- Contact: copper alloy / gold plate per ASTM B 488, Type II, Code C, Class 1.25, over a suitable underplate

Dimensions in Inches (millimeters) are subject to change without notice.



## X-ON Electronics

Largest Supplier of Electrical and Electronic Components

*Click to view similar products for [Circular MIL Spec Connector](#) category:*

*Click to view products by [Glenair](#) manufacturer:*

Other Similar products are found below :

[89075GULPR](#) [0025-262-542](#) [0025-264-3014](#) [58-570121-04S](#) [0134-213-1208](#) [0134-213-2209](#) [0025-258-000](#) [60-042022-07P](#) [60-042022-19P](#)  
[60-042022-23P](#) [60-042217-10P](#) [0114-201-1278](#) [012-0467-000](#) [602GB06EG24-61SN](#) [0134-201-1207](#) [0134-213-1006](#) [6104-207-2302](#) [6104-](#)  
[208-1902](#) [61-168211-04P](#) [61-168617-10P](#) [6131-202-19149P](#) [6131-204-21149P](#) [6131-208-13149P](#) [6131-209-17149P](#) [6131-210-11149P](#) [6131-](#)  
[211-19149P](#) [6131-216-19149P](#) [6131-259-21149P](#) [6131-259-23149P](#) [6131-265-17149P](#) [6131-265-19149P](#) [CS3100A18-1P-472](#) [CS3100A-36-](#)  
[77P](#) [CS3101A-16-55P](#) [CS3102A-10SL-55P](#) [CS3102A-14S-58P](#) [CS3102A-32-17P](#) [CS3102A32-25S](#) [CS3102C18-4P-472](#)  
[CS3106A10SL3S004](#) [CS3106A-18-73S](#) [CS3108A-14S-52S](#) [CS3108A-28-51S](#) [6162-233-1277](#) [6162-324-1231](#) [M243082296Z](#)  
[M2884010AC1S1](#) [CT0-24-10SC](#) [CT0M20-7PCAU](#) [M28840/17AC1G3](#)