

# Series 801 Miniature Plug Connectors with Size #12 Ultra-Twinax Contacts

## 801-007 and 801-008 Ordering Information



Ultra-Twinax



New Mighty Mouse contact arrangements accept size #12 Ultra-Twinax contacts for multi-gigabit data rate applications. Series 801 Mighty Mouse plugs feature damage-resistant double-start ACME mating threads. Available with anti-decoupling feature or vibration-resistant ratchet mechanism. Purchase twinax contacts separately. Connector shells are aluminum or stainless steel, with thermoplastic insulators and fluorosilicone rubber seals.

How To Order						
Sample Part Number	801-008	-16	M	7-1	P	A
Series (See Table I)	<b>801-007</b> = Plug Connector with Banding Termination Porch <b>801-008</b> = Plug Connector with Rear Accessory Thread					
Shell Style	<b>-16</b> = Plug with Anti-Decoupling Spring <b>-26</b> = Self-Locking Plug with Ratchet Mechanism					
Shell Material and Finish	<b>M</b> = Aluminum / Electroless Nickel RoHS Compliant <b>NF</b> = Aluminum / Cadmium with Olive Drab Chromate <b>ZR</b> = Aluminum / Zinc-Nickel with Non-Reflective Black Chromate RoHS Compliant <b>MT</b> = Aluminum / Nickel-PTFE RoHS Compliant <b>Z1</b> = Stainless Steel / Passivated RoHS Compliant					
Shell Size - Insert Arrangement	Size #12 Contacts (See Page S-2 for Contact Layout) <b>7-1, 10-2, 13-2, 13-3, 16-5, 17-7, 21-12,</b> Size #12 Combo Contacts (See Page S-2 for Contact Layout) <b>10-200, 10-201, 13-200, 13-201, 13-204, 13-205, 16-206, 16-207, 17-204</b>					
Contact Type	<b>Connector supplied without contacts (Order twinax contacts separately.)</b> <b>A</b> = Pin connector, less contacts <b>B</b> = Socket connector, less contacts					
Shell Key Positions (See Table II)	<b>A</b> = Normal <b>B</b> = Pos. B <b>C</b> = Pos. C <b>D</b> = Pos. D <b>E</b> = Pos. E <b>F</b> = Pos. F					

Table I: Series	
<b>801-007</b> Plug Connector with Banding Termination Porch	<b>801-008</b> Plug Connector with Rear Accessory Thread

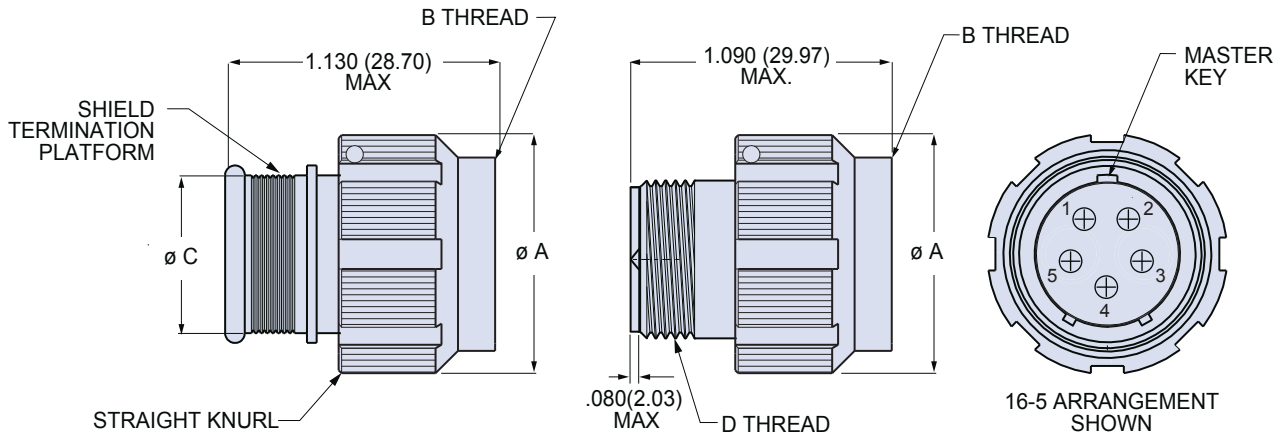


Dimensions in Inches (millimeters) are subject to change without notice.

# Series 801 Miniature Plug Connectors with Size #12 Ultra-Twinax Contacts

## 801-007 and 801-008 Dimensions

### Series 801 Plug Connectors with Size #12 Contacts - shell style 16/26



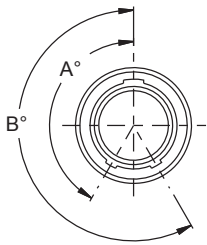
#### Banding Porch

801-007-16 and 801-007-26

#### Accessory Thread

801-008-16 and 801-008-26

Table II: Plug Key Positions



Position	A°	B°
A	150°	210°
B	75°	210°
C	95°	230°
D	140°	275°
E	75°	275°
F	95°	210°

Dimensions

Shell Size	Style 16 ØA		Style 26 ØA		B Thread	Ø C		D Thread UNEF-2A
	In.	mm.	In.	mm.		In.	mm.	
7	.690	17.53	.790	20.07	.4375-.05P-.1L-DS-2B	.390	9.91	.4375-28
10	.880	22.35	.980	24.89	.6250-.05P-.1L-DS-2B	.560	14.22	.6250-24
16	1.240	31.50	1.340	34.04	1.000-.1P-.2L-DS-2B	.805	20.45	.9375-20
17	1.300	33.02	1.450	36.83	1.0625-.1P-.2L-DS-2B	.850	21.59	.9375-20
21	1.550	39.07	1.650	41.91	1.3125-.1P-.2L-DS-2B	1.110	28.19	1.1875-18

Dimensions in Inches (millimeters) are subject to change without notice.

## X-ON Electronics

Largest Supplier of Electrical and Electronic Components

*Click to view similar products for [Circular MIL Spec Connector](#) category:*

*Click to view products by [Glenair](#) manufacturer:*

Other Similar products are found below :

[89075GULPR](#) [0025-262-542](#) [0025-264-3014](#) [58-570121-04S](#) [0134-213-1208](#) [0134-213-2209](#) [0025-258-000](#) [60-042022-07P](#) [60-042022-19P](#)  
[60-042022-23P](#) [60-042217-10P](#) [0114-201-1278](#) [012-0467-000](#) [602GB06EG24-61SN](#) [0134-201-1207](#) [0134-213-1006](#) [6104-207-2302](#) [6104-](#)  
[208-1902](#) [61-168211-04P](#) [61-168617-10P](#) [6131-202-19149P](#) [6131-204-21149P](#) [6131-208-13149P](#) [6131-209-17149P](#) [6131-210-11149P](#) [6131-](#)  
[211-19149P](#) [6131-216-19149P](#) [6131-259-21149P](#) [6131-259-23149P](#) [6131-265-17149P](#) [6131-265-19149P](#) [CS3100A18-1P-472](#) [CS3100A-36-](#)  
[77P](#) [CS3101A-16-55P](#) [CS3102A-10SL-55P](#) [CS3102A-14S-58P](#) [CS3102A-32-17P](#) [CS3102A32-25S](#) [CS3102C18-4P-472](#)  
[CS3106A10SL3S004](#) [CS3106A-18-73S](#) [CS3108A-14S-52S](#) [CS3108A-28-51S](#) [6162-233-1277](#) [6162-324-1231](#) [M243082296Z](#)  
[M2884010AC1S1](#) [CT0-24-10SC](#) [CT0M20-7PCAU](#) [M28840/17AC1G3](#)