



# Series 801 Mighty Mouse Plug Connector with Size #8 Quadrax, Twinax, Coax or Power Contacts

## 801-007 and 801-008 Ordering Information

K



### Series 801 Plug Connectors with Size #8 Contacts

New Mighty Mouse contact arrangements accept size #8 contacts for power, Ethernet or high frequency coax applications. Series 801 Mighty Mouse plugs feature damage-resistant double-start ACME mating threads. Available with anti-decoupling feature or vibration-resistant ratchet mechanism, these plugs are supplied with power contacts (contact types P or S). Or, specify contact types A or B for connectors supplied less contacts for use with quadrax, twinax or coax contacts purchased separately.

Contacts are crimp type and are snap-in, rear-release with plastic extraction tool sold separately. Aluminum or stainless steel shell, thermoplastic insulators, fluorosilicone rubber seals.

How To Order						
<b>Sample Part Number</b>	<b>801-007</b>	<b>-16</b>	<b>M</b>	<b>8-1</b>	<b>P</b>	<b>A</b>
<b>Series (See Table I)</b>	<b>801-007</b> = Plug with Banding Platform <b>801-008</b> = Plug with Accessory Thread					
<b>Shell Style</b>	<b>-16</b> = Plug with Anti-Decoupling Spring <b>-26</b> = Self-Locking Plug with Ratchet Mechanism					
<b>Shell Material and Finish</b>	<b>M</b> = Aluminum / Electroless Nickel RoHS Compliant <b>NF</b> = Aluminum / Cadmium with Olive Drab Chromate <b>ZR</b> = Aluminum / Zinc-Nickel with Non-Reflective Black Chromate RoHS Compliant <b>MT</b> = Aluminum / Nickel-PTFE RoHS Compliant <b>Z1</b> = Stainless Steel / Passivated RoHS Compliant					
<b>Shell Size - Insert Arrangement</b>	<b>8-1, 16-2, 16-208, 17-3, 17-205, 19-4, 19-201, 19-202, 21-5, 21-200</b> (See page K-5)					
<b>Contact Type</b>	<b>Connector supplied with size #8 power contacts</b> <b>P</b> = Pin with #8 Power Contacts <b>S</b> = Socket with #8 Power Contacts		<b>Connector supplied without contacts (Order quadrax, twinax or coax contacts separately.)</b> <b>A</b> = Pin Connector, Less Contacts <b>B</b> = Socket Connector, Less Contacts			
<b>Shell Key Positions (See Table II)</b>	<b>A</b> = Normal <b>B</b> = Pos. B <b>C</b> = Pos. C <b>D</b> = Pos. D <b>E</b> = Pos. E <b>F</b> = Pos. F					

Table I: Series	
<b>801-007</b> Plug with Banding Platform	<b>801-008</b> Plug with Accessory Thread

Table II: Shell Key Positions			
Position	A°	B°	
A	150°	210°	
B	75°	210°	
C	95°	230°	
D	140°	275°	
E	75°	275°	
F	95°	210°	

Dimensions in Inches (millimeters) are subject to change without notice.

# Series 801 Mighty Mouse Plug Connector with Size #8 Quadrax, Twinax, Coax or Power Contacts

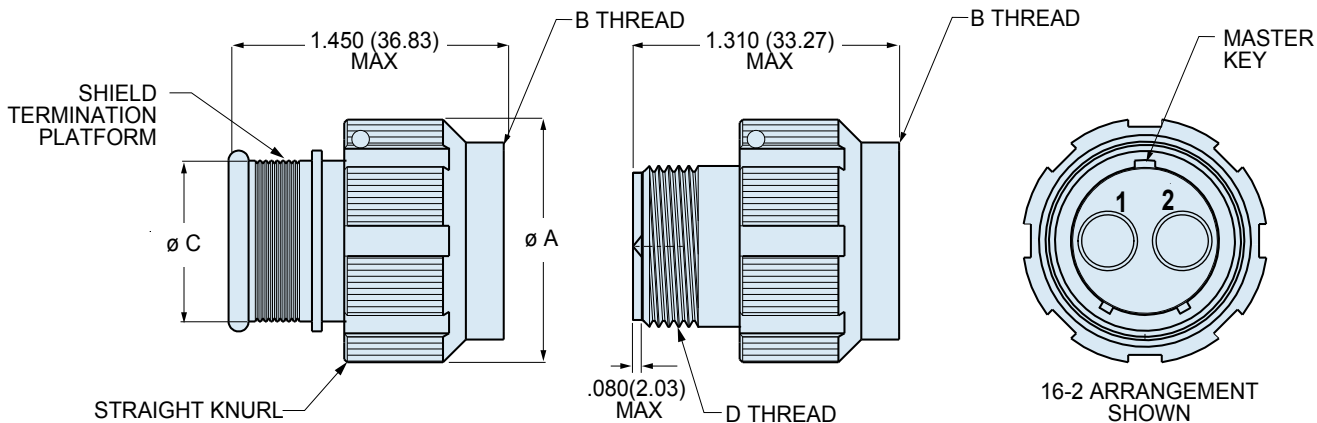
## 801-007 and 801-008 Dimensions



Mighty Mouse  
with #8 Contacts

### Plug with anti-decoupling or self-locking mechanism - shell style 16/26

**K**



**Integral Band Platform**  
801-007

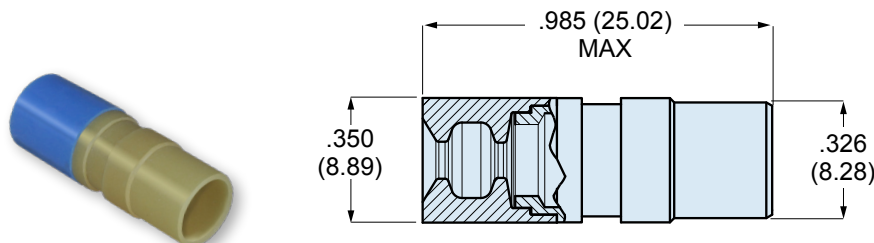
**Accessory Thread**  
801-008

Dimensions								
Shell Size.	Style 16		Style 26		B Thread	Ø C		D Thread UNEF-2A
	Ø A		Ø A			In.	mm.	
	In.	mm.	In.	mm.				
8	.750	19.05	.830	21.59	.5000-.05P-.1L-2B	.445	11.30	.5000-28
16	1.240	31.50	1.340	34.04	1.000-.1P-.2L-2B	.805	20.45	.9375-20
17	1.300	33.02	1.400	35.56	1.062-.1P-.2L-2B	.850	21.59	.9375-20
19	1.400	35.56	1.500	38.10	1.1875-.1P-.2L-DS-2B	1.003	25.48	1.0625-18
21	1.550	39.37	1.650	41.91	1.3125-.1P-.2L-2B	1.110	28.19	1.1875-18

#### Sealing Boot

Sealing boot provides wire seal. Slide boot onto wire before terminating contact. After contact is installed in connector, slide boot forward into connector grommet to seal the contact cavity. "F" suffix added on contact part number specifies contact supplied with sealing boot P/N 859-042-03.

Wire Dia. (in.)	Wire Dia. (mm.)	Part Number
.170 - .205	4.3 - 5.2	<b>859-042-03</b>



Dimensions in Inches (millimeters) are subject to change without notice.

## X-ON Electronics

Largest Supplier of Electrical and Electronic Components

*Click to view similar products for [Circular MIL Spec Connector](#) category:*

*Click to view products by [Glenair](#) manufacturer:*

Other Similar products are found below :

[0025-262-542](#) [0025-264-3014](#) [58-570121-04S](#) [0134-202-1200](#) [0134-207-1206](#) [0134-207-1800](#) [0134-207-2207](#) [0134-213-0806](#) [0134-213-1007](#) [0134-213-1009](#) [0134-213-1208](#) [0134-213-1800](#) [0134-213-2209](#) [0025-258-000](#) [015-9516-002](#) [60-042217-10P](#) [60-042722-19P](#) [0114-201-1278](#) [602GB06EG24-61SN](#) [0134-201-1207](#) [0134-201-1806](#) [0134-201-2006](#) [0134-201-2007](#) [0134-201-2010](#) [0134-202-1400](#) [0134-207-0809](#) [0134-207-1208](#) [0134-207-2009](#) [0134-213-1006](#) [6104-207-2302](#) [6104-208-1902](#) [6131-202-19149P](#) [6131-204-21149P](#) [6131-207-13149P](#) [6131-208-13149P](#) [6131-209-17149P](#) [6131-210-11149P](#) [6131-211-19149P](#) [6131-216-19149P](#) [6131-220-25149P](#) [6131-259-11149P](#) [6131-259-21149P](#) [6131-259-23149P](#) [6131-263-19149P](#) [6131-265-17149P](#) [6131-265-19149P](#) [6134-203-21149](#) [CS3102A-20-15P](#) [CS3102A-20-15S](#) [CS3102A-28-15S](#)