



# Series 801 Mighty Mouse Receptacle Connector with Size #8 Quadrax, Twinax, Coax or Power Contacts

## 801-009 and 801-010 Ordering Information

K



### Series 801 Receptacle Connectors with Size #8 Contacts

New Mighty Mouse contact arrangements accept size #8 contacts for power, Ethernet or high frequency coax applications. Series 801 Mighty Mouse receptacles feature damage-resistant double-start ACME mating threads. Available for rear panel jam nut mounting, in-line or square flange styles, these receptacles are supplied with power contacts (contact types P or S). Or, specify contact types A or B for connectors supplied less power contacts for use with quadrax, twinax or coax contacts purchased separately. Contacts are crimp type and are snap-in, rear-release with plastic extraction tool sold separately. Aluminum or stainless steel shell, thermoplastic insulators, fluorosilicone rubber seals.

How To Order						
Sample Part Number	801-010	-02	Z1	17-3	P	A
Series (See Table I)	<b>801-009</b> = Receptacle with Banding Platform <b>801-010</b> = Receptacle with Accessory Thread					
Shell Style	<b>-01</b> = In-Line For Free-Hanging Cables <b>-02</b> = Square Flange For Front or Rear Mounting <b>-12</b> = Square Flange For Rear Mounting with Non-Locking Clinch Nuts <b>-22</b> = Square Flange For Rear Mounting with Locking Clinch Nuts <b>-07</b> = Jam Nut For Rear Panel Mounting					
Shell Material and Finish	<b>M</b> = Aluminum / Electroless Nickel RoHS Compliant <b>NF</b> = Aluminum / Cadmium with Olive Drab Chromate <b>ZR</b> = Aluminum / Zinc-Nickel with Non-Reflective Black Chromate RoHS Compliant <b>MT</b> = Aluminum / Nickel-PTFE RoHS Compliant <b>Z1</b> = Stainless Steel / Passivated RoHS Compliant					
Shell Size - Insert Arrangement	<b>8-1, 16-208, 16-2, 17-3, 17-205, 19-4, 21-5,</b> <b>19-201, 19-202, 21-200</b> (See page K-5)					
Contact Type	<b>Connector supplied with #8 power contacts</b> <b>P</b> = Pin with #8 Power Contacts <b>A</b> = Pin Connector, Less Contacts			<b>Connector supplied without contacts (Order quadrax, twinax or coax contacts separately.)</b> <b>S</b> = Socket with #8 AWG Power Contacts <b>B</b> = Socket Connector, Less Contacts		
Shell Key Positions (See Table II)	<b>A</b> = Normal <b>B</b> = Pos. B <b>C</b> = Pos. C <b>D</b> = Pos. D <b>E</b> = Pos. E <b>F</b> = Pos. F					

Table I: Series	
<b>801-009</b> Receptacle with Banding Platform	<b>801-010</b> Receptacle with Accessory Thread

Table II: Shell Key Positions			
Position	A°	B°	
A	150°	210°	
B	75°	210°	
C	95°	230°	
D	140°	275°	
E	75°	275°	
F	95°	210°	

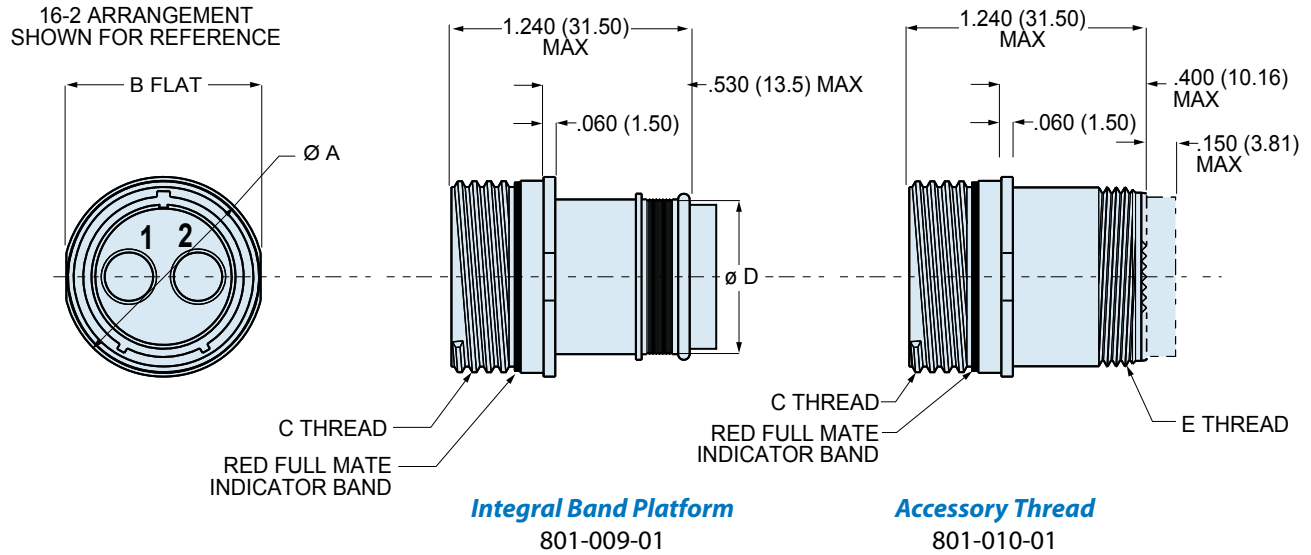
Dimensions in Inches (millimeters) are subject to change without notice.

Series 801 In-Line Mighty Mouse Receptacle with Size #8  
 Quadrax, Twinax, Coax or Power Contacts  
 801-009 and 801-010 - Shell Style -01 Dimensions



Mighty Mouse  
 with #8 Contacts

**In-line cable receptacle with band platform or accessory thread**

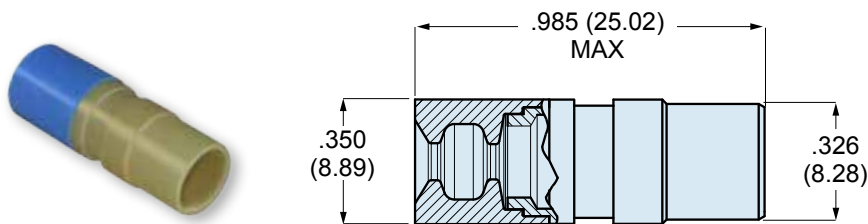


Dimensions								
Shell Size	Ø A		B Flat		C Thread	Ø D		E Thread UNEF-2A
	In.	mm.	In.	mm.		In.	mm.	
8	.540	13.72	.510	12.95	.5000-.05P-.1L-DS-2A	.445	11.30	.5000-28
16	1.040	26.42	1.010	25.65	1.000-.1P-.2L-DS-2A	.805	20.45	.9375-20
17	1.110	28.19	1.070	27.18	1.0625-.1P-.2L-DS-2A	.850	21.59	.9375-20
19	1.243	31.57	1.191	30.25	1.1875-.1P-.2L-DS-2A	.956	24.28	1.0625-18
21	1.405	35.69	1.385	35.18	1.3125-.1p-.2L-DS-2a	1.110	28.19	1.1875-18

**Sealing Boot**

Sealing boot provides wire seal. Slide boot onto wire before terminating contact. After contact is installed in connector, slide boot forward into connector grommet to seal the contact cavity. "F" suffix added on contact part number specifies contact supplied with sealing boot P/N 859-042-03.

Wire Dia. (in.)	Wire Dia. (mm.)	Part Number
.170 - .205	4.3 - 5.2	859-042-03



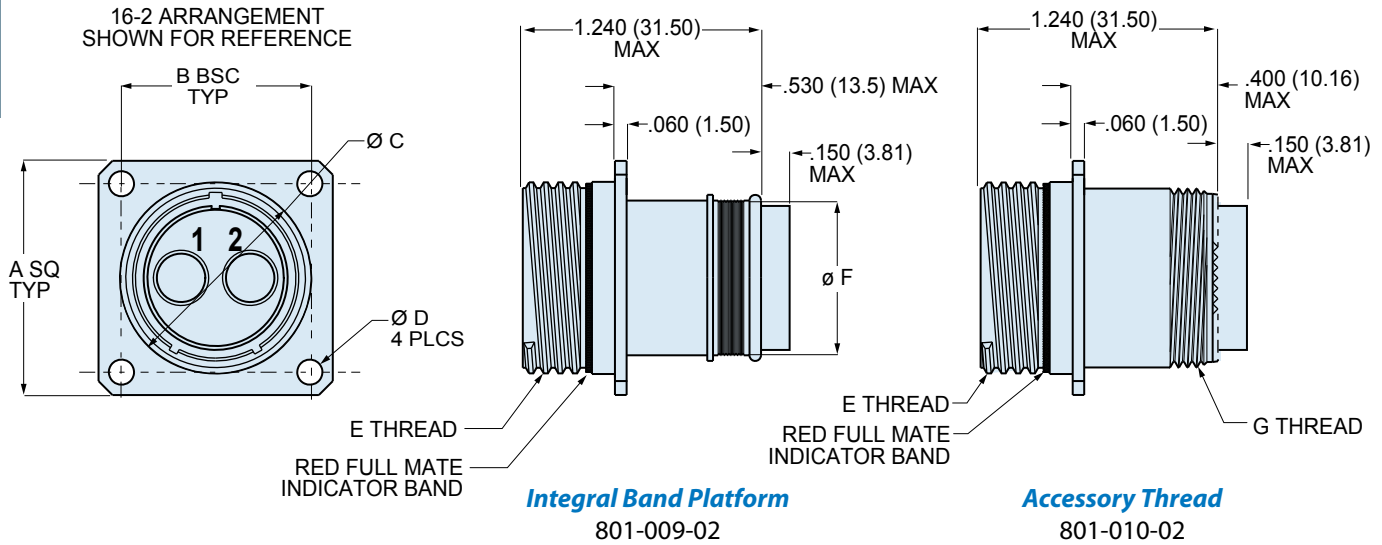
Dimensions in Inches (millimeters) are subject to change without notice.



Series 801 Square Flange Mighty Mouse Receptacle with  
Size #8 Quadrax, Twinax, Coax or Power Contacts  
801-009 and 801-010 - Shell Style -02 Dimensions

K

**Square flange receptacle with band platform or accessory thread**



Dimensions												
Shell Size	A		B BSC		Ø C		Ø D		E Thread	Ø F		G Thread UNEF-2A
	In.	mm.	In.	mm.	In.	mm.	In.	mm.		In.	mm.	
8	.712	18.08	.545	13.84	.938	23.83	.093	2.36	.5000-.05P-.1L-DS-2A	.445	11.30	.5000-28
16	1.219	30.96	.981	24.92	1.625	41.28	.128	3.25	1.000-.1P-.2L-DS-2A	.805	20.45	.9375-20
17	1.280	32.51	1.060	26.92	1.700	43.18	.128	3.25	1.0625-.1P-.2L-DS-2A	.850	21.59	.9375-20
19	1.432	36.37	1.191	30.25	1.900	48.26	.128	3.25	1.1875-.1P-.2L-DS-2A	.956	24.28	1.0625-18
21	1.565	39.32	1.322	33.61	2.100	53.34	.128	3.25	1.3125-.1P-.2L-DS-2a	1.110	28.19	1.1875-18

Square Flange Panel Cutout						
Shell Size	Ø A		B BSC		Ø C	
	In.	mm.	In.	mm.	In.	mm.
8	.515	13.08	.545	13.84	.093	2.36
16	1.015	25.78	.981	24.92	.128	3.25
17	1.078	27.38	1.060	26.92	.128	3.25
19	1.203	30.56	1.191	30.25	.128	3.25
21	1.325	33.66	1.205	30.61	.128	3.25

Dimensions in Inches (millimeters) are subject to change without notice.

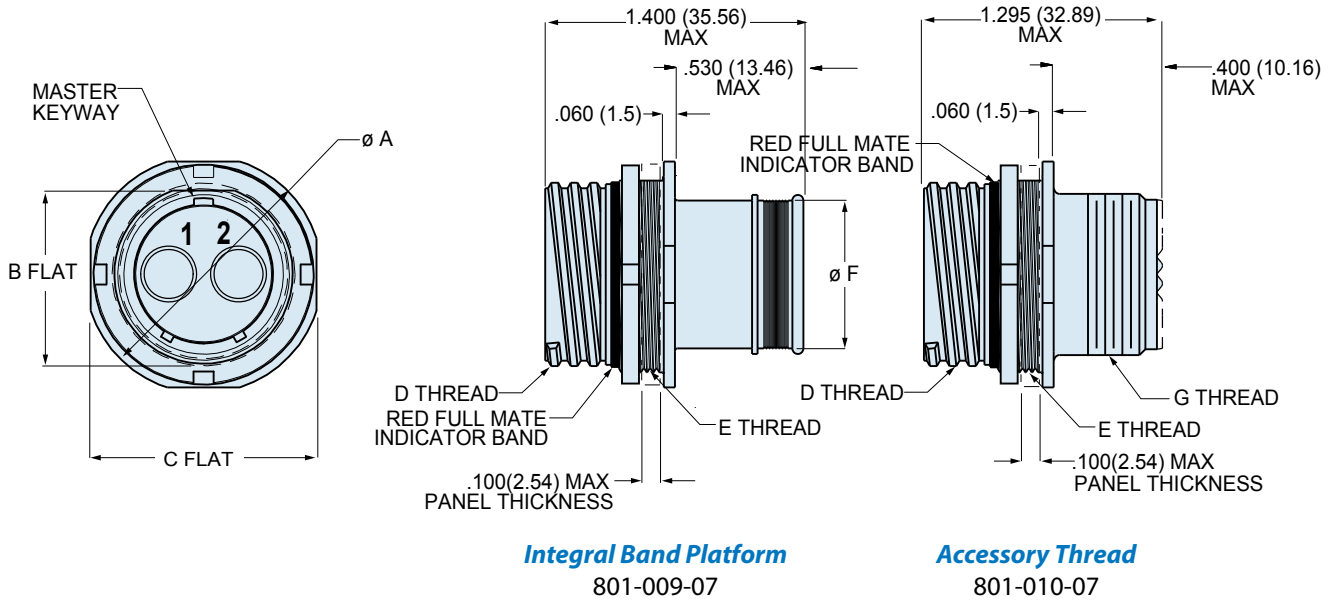
Series 801 Jam Nut Mighty Mouse Receptacle with Size #8 Quadrax, Twinax, Coax or Power Contacts  
801-009 and 801-010 - Shell Style -07 Dimensions



Mighty Mouse  
with #8 Contacts

**Jam nut rear panel mount receptacle with band platform or accessory thread**

**K**



Dimensions											
Shell Size	Ø A		B Flat		C Flat		D Thread	E Thread UN-2A	Ø F		G Thread UNEF-2A
	In.	mm.	In.	mm.	In.	mm.			In.	mm.	
8	.755	19.77	.536	13.61	.723	18.36	.5000-.05P-.1L-DS-2A	.5625-32	.445	11.30	.5000-28
16	1.264	32.11	1.022	25.96	1.230	31.24	1.000-.1P-.2L-DS-2A	1.0625-20	.805	20.45	.9375-20
17	1.325	33.66	1.096	27.84	1.290	32.77	1.0625-.1P-.2L-DS-2A	1.125-28	.850	21.59	.9375-20
19	1.450	36.83	1.225	31.12	1.415	35.94	1.1875-.1P-.2L-DS-2A	1.250-28	.956	24.28	1.0625-18
21	1.625	41.28	1.345	34.16	1.577	40.06	1.3125-.1p-.2l-DS-2a	1.375-28	1.110	28.19	1.1875-18

Jam Nut Panel Cutout				
Shell Size	A Flat		Ø B	
	In. ± .002	mm. ± 0.05	In. ± .002	mm. ± 0.05
8	.542	13.77	.573	14.55
16	1.028	26.11	1.075	27.31
17	1.102	27.99	1.135	28.83
19	1.233	31.32	1.260	32.00
21	1.354	34.39	1.385	35.18

Dimensions in Inches (millimeters) are subject to change without notice.

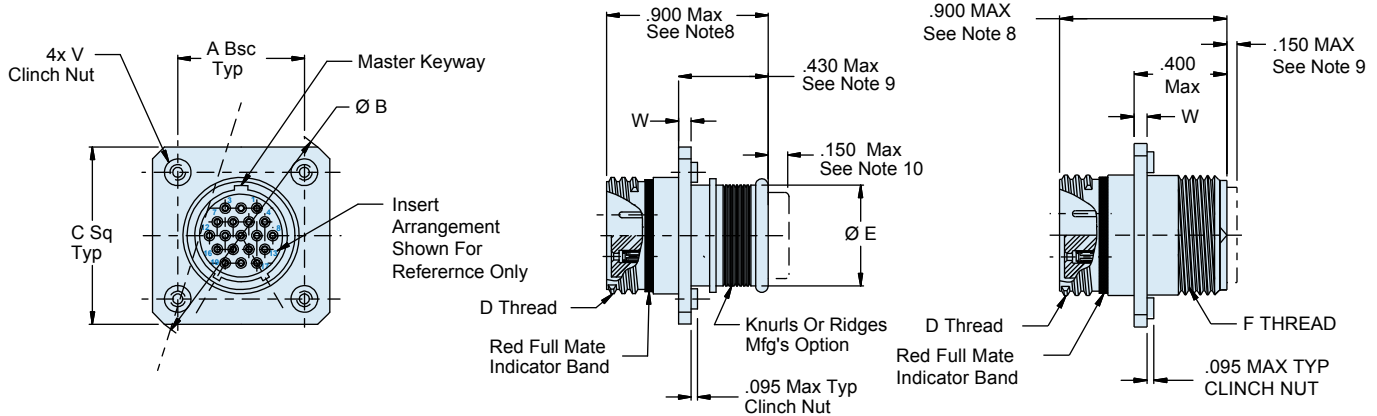


# Series 801 Square Flange Mighty Mouse Receptacle with Size #8 Quadrax, Twinax, Coax or Power Contacts

801-009 and 801-010 - Shell Style -12 and -22 Dimensions

**K**

## Square flange rear panel mount receptacle with band platform or accessory thread



**Integral Band Platform**  
801-009-12

**Accessory Thread**  
801-010-12

Dimensions													
Shell Size	A Bsc		ØB		C Sq.		D Thread	Ø E		F Thread	V Clinch Nuts	W	
	In.	mm.	In.	mm.	In.	mm.		In.	mm.			In.	mm.
8	0.545	13.84	1.032	26.21	0.805	20.45	.5000-.05P-.1L-DS-2A	.445	11.30	.5000-28 UNEF-2A	2-56	.030	.76
16	0.981	24.92	1.708	43.38	1.301	33.05	1.0000-.05P-.1L-DS-2A	.805	20.45	.9375-28 UNEF-2A	4-40	.060	1.52
17	1.060	26.92	1.822	46.28	1.382	35.10	1.0625-.05P-.1L-DS-2A	.850	21.59	.9375-28 UNEF-2A			
19	1.191	30.25	2.006	50.95	1.511	38.38	1.1875-.05P-.1L-DS-2A	1.003	25.48	1.0625-28 UNEF-2A			
21	1.322	33.58	2.190	55.63	1.642	41.71	1.3125-.05P-.1L-DS-2A	1.110	28.19	1.1875-28 UNEF-2A			

Square Flange Panel Cutout						
Shell Size	A Bsc		ØB		C Sq.	
	In.	mm.	In.	mm.	In.	mm.
8	.545	13.84	.515	13.08	.096 .091	2.44 2.31
16	.981	24.92	1.015	25.78	.130 .126	3.30 3.20
17	1.060	26.92	1.078	27.38		
19	1.191	30.25	1.203	30.56		
21	1.322	33.58	1.328	33.73		

**-02 Flange  
-12 & 22 Flange**

Dimensions in Inches (millimeters) are subject to change without notice.

## X-ON Electronics

Largest Supplier of Electrical and Electronic Components

*Click to view similar products for [Circular MIL Spec Connector](#) category:*

*Click to view products by [Glenair](#) manufacturer:*

Other Similar products are found below :

[0025-262-542](#) [0025-264-3014](#) [58-570121-04S](#) [0134-202-1200](#) [0134-207-1206](#) [0134-207-1800](#) [0134-207-2207](#) [0134-213-0806](#) [0134-213-1007](#) [0134-213-1009](#) [0134-213-1208](#) [0134-213-1800](#) [0134-213-2209](#) [0025-258-000](#) [015-9516-002](#) [60-042722-19P](#) [0114-201-1278](#) [602GB06EG24-61SN](#) [0134-201-1207](#) [0134-201-1806](#) [0134-201-2006](#) [0134-201-2007](#) [0134-201-2010](#) [0134-202-1400](#) [0134-207-0809](#) [0134-207-1208](#) [0134-207-2009](#) [0134-213-1006](#) [6104-207-2302](#) [6104-208-1902](#) [6131-202-19149P](#) [6131-204-21149P](#) [6131-207-13149P](#) [6131-208-13149P](#) [6131-209-17149P](#) [6131-210-11149P](#) [6131-211-19149P](#) [6131-216-19149P](#) [6131-220-25149P](#) [6131-259-11149P](#) [6131-259-21149P](#) [6131-259-23149P](#) [6131-263-19149P](#) [6131-265-17149P](#) [6131-265-19149P](#) [CS3102A-20-15P](#) [CS3102A-20-15S](#) [CS3102C18-4P-472](#) [CS3106A-20-29P](#) [CS3106A-20-74P](#)