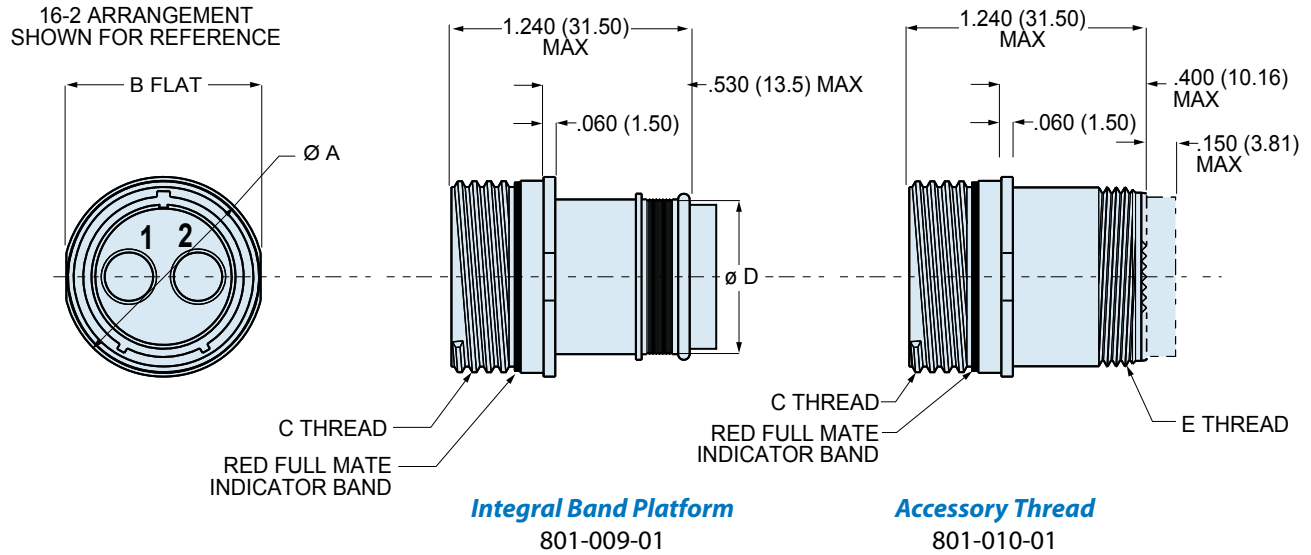


Series 801 In-Line Mighty Mouse Receptacle with Size #8
 Quadrax, Twinax, Coax or Power Contacts
 801-009 and 801-010 - Shell Style -01 Dimensions



Mighty Mouse
 with #8 Contacts

In-line cable receptacle with band platform or accessory thread

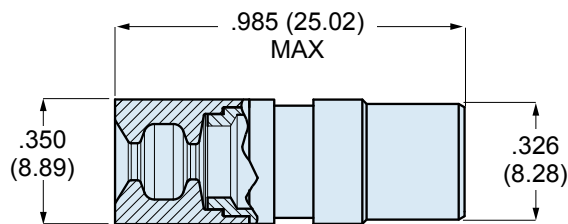


Dimensions								
Shell Size	Ø A		B Flat		C Thread	Ø D		E Thread UNEF-2A
	In.	mm.	In.	mm.		In.	mm.	
8	.540	13.72	.510	12.95	.5000-.05P-.1L-DS-2A	.445	11.30	.5000-28
16	1.040	26.42	1.010	25.65	1.000-.1P-.2L-DS-2A	.805	20.45	.9375-20
17	1.110	28.19	1.070	27.18	1.0625-.1P-.2L-DS-2A	.850	21.59	.9375-20
19	1.243	31.57	1.191	30.25	1.1875-.1P-.2L-DS-2A	.956	24.28	1.0625-18
21	1.405	35.69	1.385	35.18	1.3125-.1p-.2L-DS-2a	1.110	28.19	1.1875-18

Sealing Boot

Sealing boot provides wire seal. Slide boot onto wire before terminating contact. After contact is installed in connector, slide boot forward into connector grommet to seal the contact cavity. "F" suffix added on contact part number specifies contact supplied with sealing boot P/N 859-042-03.

Wire Dia. (in.)	Wire Dia. (mm.)	Part Number
.170 - .205	4.3 - 5.2	859-042-03



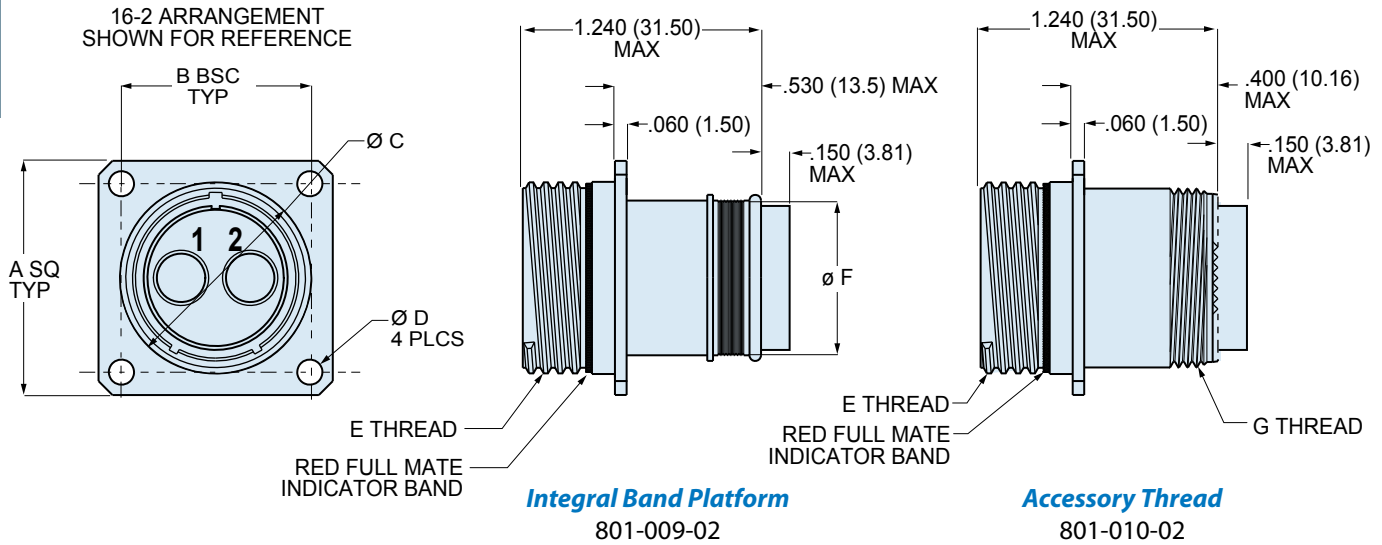
Dimensions in Inches (millimeters) are subject to change without notice.



Series 801 Square Flange Mighty Mouse Receptacle with
Size #8 Quadrax, Twinax, Coax or Power Contacts
801-009 and 801-010 - Shell Style -02 Dimensions

K

Square flange receptacle with band platform or accessory thread



Dimensions												
Shell Size	A		B BSC		Ø C		Ø D		E Thread	Ø F		G Thread UNEF-2A
	In.	mm.	In.	mm.	In.	mm.	In.	mm.		In.	mm.	
8	.712	18.08	.545	13.84	.938	23.83	.093	2.36	.5000-.05P-.1L-DS-2A	.445	11.30	.5000-28
16	1.219	30.96	.981	24.92	1.625	41.28	.128	3.25	1.000-.1P-.2L-DS-2A	.805	20.45	.9375-20
17	1.280	32.51	1.060	26.92	1.700	43.18	.128	3.25	1.0625-.1P-.2L-DS-2A	.850	21.59	.9375-20
19	1.432	36.37	1.191	30.25	1.900	48.26	.128	3.25	1.1875-.1P-.2L-DS-2A	.956	24.28	1.0625-18
21	1.565	39.62	1.322	33.61	2.100	53.34	.128	3.25	1.3125-.1P-.2L-DS-2a	1.110	28.19	1.1875-18

Square Flange Panel Cutout						
Shell Size	Ø A		B BSC		Ø C	
	In.	mm.	In.	mm.	In.	mm.
8	.515	13.08	.545	13.84	.093	2.36
16	1.015	25.78	.981	24.92	.128	3.25
17	1.078	27.38	1.060	26.92	.128	3.25
19	1.203	30.56	1.191	30.25	.128	3.25
21	1.325	33.66	1.205	30.61	.128	3.25

Dimensions in Inches (millimeters) are subject to change without notice.

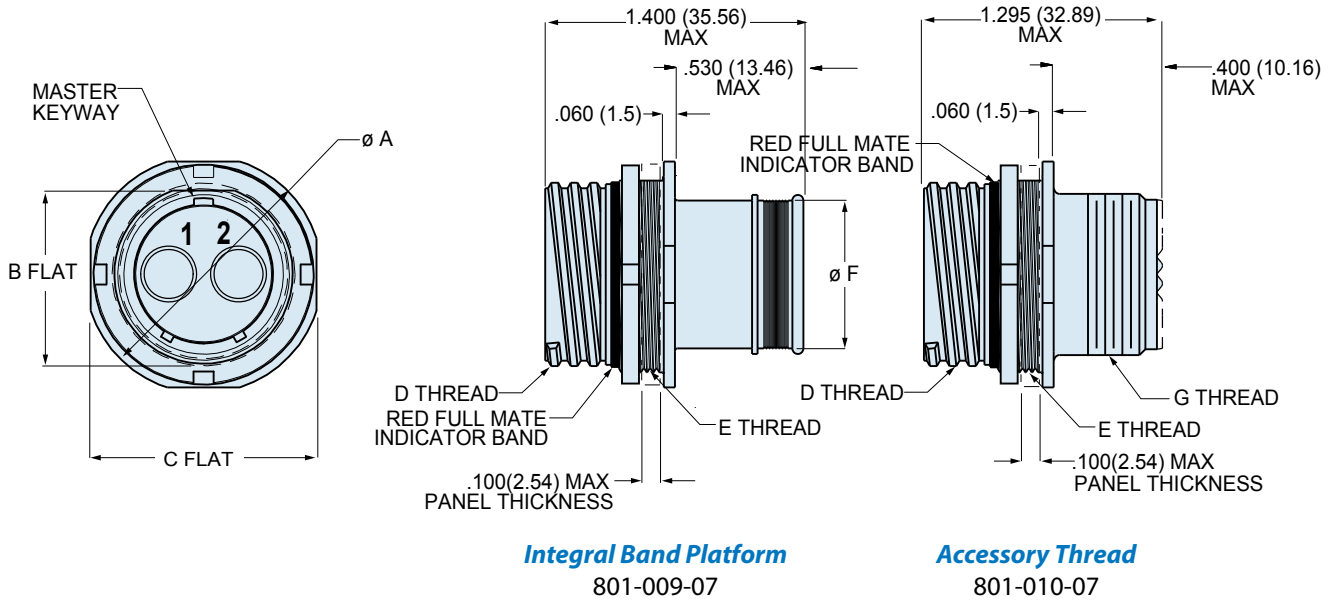
Series 801 Jam Nut Mighty Mouse Receptacle with Size #8 Quadrax, Twinax, Coax or Power Contacts
801-009 and 801-010 - Shell Style -07 Dimensions



Mighty Mouse
with #8 Contacts

K

Jam nut rear panel mount receptacle with band platform or accessory thread



Dimensions											
Shell Size	Ø A		B Flat		C Flat		D Thread	E Thread UN-2A	Ø F		G Thread UNEF-2A
	In.	mm.	In.	mm.	In.	mm.			In.	mm.	
8	.755	19.77	.536	13.61	.723	18.36	.5000-.05P-.1L-DS-2A	.5625-32	.445	11.30	.5000-28
16	1.264	32.11	1.022	25.96	1.230	31.24	1.000-.1P-.2L-DS-2A	1.0625-20	.805	20.45	.9375-20
17	1.325	33.66	1.096	27.84	1.290	32.77	1.0625-.1P-.2L-DS-2A	1.125-28	.850	21.59	.9375-20
19	1.450	36.83	1.225	31.12	1.415	35.94	1.1875-.1P-.2L-DS-2A	1.250-28	.956	24.28	1.0625-18
21	1.625	41.28	1.345	34.16	1.577	40.06	1.3125-.1p-.2l-DS-2a	1.375-28	1.110	28.19	1.1875-18

Jam Nut Panel Cutout				
Shell Size	A Flat		Ø B	
	In. ± .002	mm. ± 0.05	In. ± .002	mm. ± 0.05
8	.542	13.77	.573	14.55
16	1.028	26.11	1.075	27.31
17	1.102	27.99	1.135	28.83
19	1.233	31.32	1.260	32.00
21	1.354	34.39	1.385	35.18

Dimensions in Inches (millimeters) are subject to change without notice.

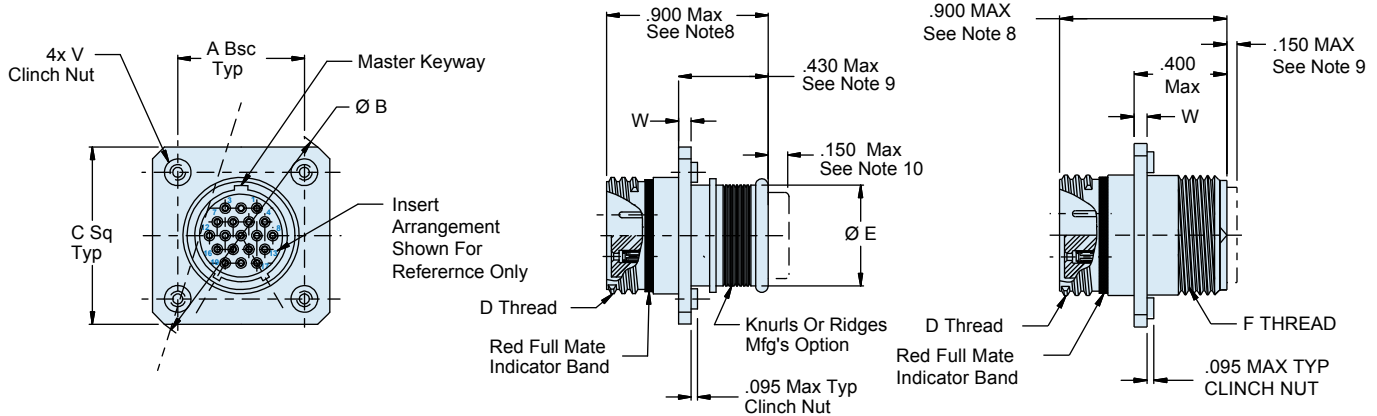


Series 801 Square Flange Mighty Mouse Receptacle with Size #8 Quadrax, Twinax, Coax or Power Contacts

801-009 and 801-010 - Shell Style -12 and -22 Dimensions

K

Square flange rear panel mount receptacle with band platform or accessory thread



Integral Band Platform
801-009-12

Accessory Thread
801-010-12

Dimensions													
Shell Size	A Bsc		ØB		C Sq.		D Thread	Ø E		F Thread	V Clinch Nuts	W	
	In.	mm.	In.	mm.	In.	mm.		In.	mm.			In.	mm.
8	0.545	13.84	1.032	26.21	0.805	20.45	.5000-.05P-.1L-DS-2A	.445	11.30	.5000-28 UNEF-2A	2-56	.030	.76
16	0.981	24.92	1.708	43.38	1.301	33.05	1.0000-.05P-.1L-DS-2A	.805	20.45	.9375-28 UNEF-2A	4-40	.060	1.52
17	1.060	26.92	1.822	46.28	1.382	35.10	1.0625-.05P-.1L-DS-2A	.850	21.59	.9375-28 UNEF-2A			
19	1.191	30.25	2.006	50.95	1.511	38.38	1.1875-.05P-.1L-DS-2A	1.003	25.48	1.0625-28 UNEF-2A			
21	1.322	33.58	2.190	55.63	1.642	41.71	1.3125-.05P-.1L-DS-2A	1.110	28.19	1.1875-28 UNEF-2A			

Square Flange Panel Cutout						
Shell Size	A Bsc		ØB		C Sq.	
	In.	mm.	In.	mm.	In.	mm.
8	.545	13.84	.515	13.08	.096 .091	2.44 2.31
16	.981	24.92	1.015	25.78	.130 .126	3.30 3.20
17	1.060	26.92	1.078	27.38		
19	1.191	30.25	1.203	30.56		
21	1.322	33.58	1.328	33.73		

**-02 Flange
-12 & 22 Flange**

Dimensions in Inches (millimeters) are subject to change without notice.

X-ON Electronics

Largest Supplier of Electrical and Electronic Components

Click to view similar products for [Circular MIL Spec Connector](#) category:

Click to view products by [Glenair](#) manufacturer:

Other Similar products are found below :

[89075GULPR](#) [0025-262-542](#) [0025-264-3014](#) [58-570121-04S](#) [0134-213-1208](#) [0134-213-2209](#) [0025-258-000](#) [60-042022-07P](#) [60-042022-19P](#)
[60-042022-23P](#) [60-042217-10P](#) [60-042217-11P](#) [0114-201-1278](#) [012-0467-000](#) [602GB06EG24-61SN](#) [0134-201-1207](#) [0134-213-1006](#) [6104-](#)
[207-2302](#) [6104-208-1902](#) [61-168211-04P](#) [61-168617-10P](#) [6131-202-19149P](#) [6131-204-21149P](#) [6131-208-13149P](#) [6131-209-17149P](#) [6131-](#)
[210-11149P](#) [6131-211-19149P](#) [6131-216-19149P](#) [6131-259-21149P](#) [6131-259-23149P](#) [6131-265-17149P](#) [6131-265-19149P](#) [CS3100A18-1P-](#)
[472](#) [CS3100A-36-77P](#) [CS3101A-16-55P](#) [CS3102A-10SL-55P](#) [CS3102A-14S-58P](#) [CS3102A-18-1P116](#) [CS3102A-32-17P](#) [CS3102A32-25S](#)
[CS3102C18-4P-472](#) [CS3106A10SL3S004](#) [CS3106A-18-73S](#) [CS3108A-14S-52S](#) [CS3108A-28-51S](#) [6162-233-1277](#) [6162-324-1231](#)
[M243082296Z](#) [M2884010AC1S1](#) [CT0-24-10SC](#)