



# Series 801 Mighty Mouse High-Speed Double-Start ACME Threads Plug Connector 801-036 and 801-039 Ordering Information



**Glenair Series 801 Mighty Mouse High-Speed** connectors feature double-start modified stub ACME mating threads for improved protection against cross-mating and thread damage. Connector shells are machined aluminum or stainless steel. The connector is equipped with special PFA (Fluoropolymer) insulators and is optimized for use with high-speed differential wire such as our 963-001 cable. Five insert arrangements are offered with 4, 7, 10, 19 and 26 #23 AWG contacts, packaged separately. Terminate contacts with standard M22520 tools. Metal clips inside the connector body lock contact into place. Contacts are removable. Fluorosilicone seals and rear grommet protect connector from water ingress. Terminate cable shield directly to connector body with Band-Master™ ATS strap, or choose rear accessory thread to attach optional cable clamp or backshell.

### How To Order

<b>Sample Part Number</b>	<b>801-036</b>	<b>-16</b>	<b>M</b>	<b>7-10</b>	<b>P</b>	<b>A</b>						
<b>Series (See Table I)</b>	<b>801-036</b> = Banding Platform <b>801-039</b> = Rear Accessory Thread											
<b>Shell Style</b>	<b>-16</b> = Plug with Anti-Decoupling Spring <b>-26</b> = Self-Locking Plug with Ratchet Mechanism											
<b>Shell Material and Finish</b>	<b>M</b> = Aluminum / Electroless Nickel RoHS Compliant <b>NF</b> = Aluminum / Cadmium with Olive Drab Chromate <b>ZNU</b> = Aluminum / Zinc-Nickel with Black Chromate <b>MT</b> = Aluminum / Nickel-PTFE RoHS Compliant <b>Z1</b> = Stainless Steel / Passivated RoHS Compliant											
<b>Shell Size - Insert Arrangement (See Table II)</b>	<b>6-4, 6-7, 7-10, 9-19, 10-26</b>											
<b>Contact Type</b>	<table border="0"> <tr> <td><b>Connector supplied with contacts</b></td> <td><b>Connector supplied without contacts</b></td> </tr> <tr> <td><b>P</b> = Pin</td> <td><b>A</b> = Pin Connector, less contacts</td> </tr> <tr> <td><b>S</b> = Socket</td> <td><b>B</b> = Socket Connector, less contacts</td> </tr> </table> <p>Connectors with contacts are supplied with signal and/or power crimp contacts. These contacts are not installed. Coaxial contacts and non-standard signal contacts are ordered separately.</p>						<b>Connector supplied with contacts</b>	<b>Connector supplied without contacts</b>	<b>P</b> = Pin	<b>A</b> = Pin Connector, less contacts	<b>S</b> = Socket	<b>B</b> = Socket Connector, less contacts
<b>Connector supplied with contacts</b>	<b>Connector supplied without contacts</b>											
<b>P</b> = Pin	<b>A</b> = Pin Connector, less contacts											
<b>S</b> = Socket	<b>B</b> = Socket Connector, less contacts											
<b>Shell Key Positions (See Table II)</b>	<b>A</b> = Normal <b>B</b> = Pos. B <b>C</b> = Pos. C <b>D</b> = Pos. D <b>E</b> = Pos. F <b>F</b> = Pos. F											

P

**Table I: Series**

<b>801-036</b> Plug with Banding Platform	<b>801-039</b> Plug with Accessory Thread

**Table II: Shell Size – Insert Arrangement**

<b>6-4</b>	<b>6-7</b>	<b>7-10</b>	<b>9-19</b>	<b>10-26</b>

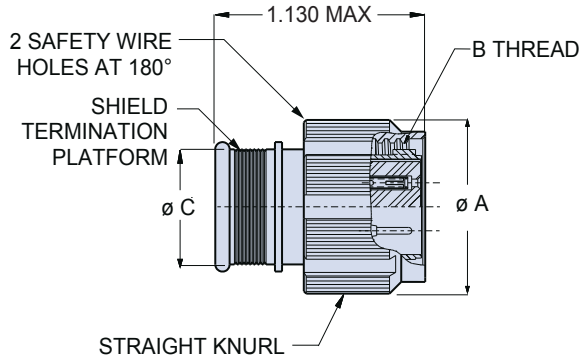
Dimensions in Inches (millimeters) are subject to change without notice.

Series 801 Mighty Mouse High-Speed  
Double-Start ACME Threads  
801-036 and 801-039 Dimensions

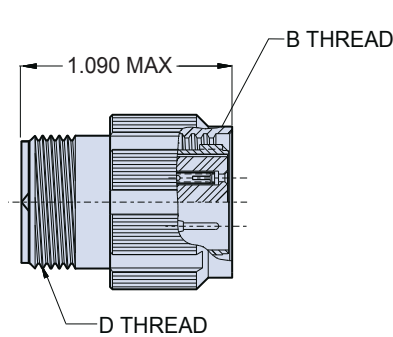


Series 801  
High-Speed

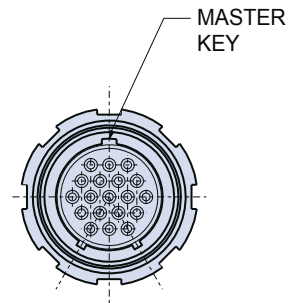
**Plug with anti-decoupling spring or self-locking mechanism - shell style 16 & 26**



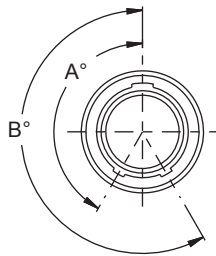
**Integral Band Platform**  
801-036



**Accessory Thread**  
801-039



**Table III: Shell Key Positions**



Key Position	Key Rotation	
	A°	B°
Normal (A)	150°	210°
B	75°	210°
C	95°	230°
D	140°	275°
E	75°	275°
F	95°	210°

**Dimensions**

Shell Size	Style 16		Style 26		B Thread	Ø C		D Thread UNEF-2A
	Ø A		Ø A			In.	mm.	
	In.	mm.	In.	mm.				
6	.60	15.2	.70	17.8	.3750-.05P-1L-2B	.290	7.4	.3125-32
7	.69	17.5	.79	20.1	.4375-.05P-1L-2B	.390	9.9	.4375-28
9	.81	20.6	.92	23.4	.5625-.05P-1L-2B	.500	12.7	.5625-24
10	.88	22.4	.98	24.9	.6250-.05P-1L-2B	.560	14.2	.6250-24

**Material and Finish**

- Plug Barrel, Coupling Nut: Aluminum Alloy or Stainless Steel
- Insulator: PFA
- Interfacial Seal, Grommet Seal: Fluorosilicone
- Contact: Copper Alloy, 50 Microinch Gold Plated per ATSM B 488, Type II, Code C, Class 1.25 (.00005 minimum thickness), over a suitable underplate.

Dimensions in Inches (millimeters) are subject to change without notice.

## X-ON Electronics

Largest Supplier of Electrical and Electronic Components

*Click to view similar products for [Circular MIL Spec Connector](#) category:*

*Click to view products by [Glenair](#) manufacturer:*

Other Similar products are found below :

[0025-262-542](#) [0025-264-3014](#) [58-570121-04S](#) [0134-202-1200](#) [0134-207-1206](#) [0134-207-1800](#) [0134-207-2207](#) [0134-213-0806](#) [0134-213-1007](#) [0134-213-1009](#) [0134-213-1208](#) [0134-213-1800](#) [0134-213-2209](#) [0025-258-000](#) [015-9516-002](#) [60-042722-19P](#) [0114-201-1278](#) [602GB06EG24-61SN](#) [0134-201-1207](#) [0134-201-1806](#) [0134-201-2006](#) [0134-201-2007](#) [0134-201-2010](#) [0134-202-1400](#) [0134-207-0809](#) [0134-207-1208](#) [0134-207-2009](#) [0134-213-1006](#) [6104-207-2302](#) [6104-208-1902](#) [6131-202-19149P](#) [6131-204-21149P](#) [6131-207-13149P](#) [6131-208-13149P](#) [6131-209-17149P](#) [6131-210-11149P](#) [6131-211-19149P](#) [6131-216-19149P](#) [6131-220-25149P](#) [6131-259-11149P](#) [6131-259-21149P](#) [6131-259-23149P](#) [6131-263-19149P](#) [6131-265-17149P](#) [6131-265-19149P](#) [CS3102A-20-15P](#) [CS3102A-20-15S](#) [CS3102C18-4P-472](#) [CS3106A-20-29P](#) [CS3106A-20-74P](#)