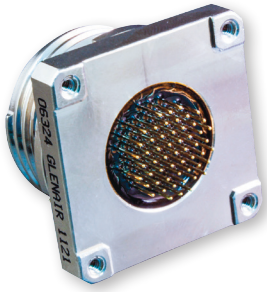


# Series 801 Mighty Mouse Double-Start ACME Thread PC Tail Receptacle with Threaded Standoff

## 801-075 Ordering Information



Series 801



**Rear Panel Mount Jam-Nut Receptacle** connectors offer military grade performance in a small, lightweight package. Features a double-start modified stub ACME mating thread for improved protection against cross-mating and thread damage. Aluminum or stainless steel, square flange receptacle for attachment to rigid PC boards. Square flange receptacle with integral standoffs for PC board washout come threaded with #2-56 stainless steel heli-coils. Gold-plated copper alloy PC tail contacts are factory installed and potted with epoxy. Contacts are non-removable.

How To Order	
<b>Sample Part Number</b>	<b>801-075</b> -07 M 6-7 P A
<b>Series</b>	<b>801-075</b> = Receptacle with Printed Circuit Board Contacts or Solder Cup Contacts
<b>Shell Style</b>	<b>-07</b> = Jam-Nut, Rear Panel Mount
<b>Material and Finish</b>	<b>M</b> = Aluminum / Electroless Nickel RoHS Compliant <b>MT</b> = Aluminum / Nickel-PTFE RoHS Compliant <b>NF</b> = Aluminum / Cadmium with Olive Drab Chromate <b>ZNU</b> = Aluminum / Zinc-Nickel with Black Chromate <b>Z1</b> = Stainless Steel / Passivated RoHS Compliant
<b>Shell Size - Insert Arrangement</b>	See Contact Arrangements page D-3
<b>Contact Type</b>	<b>P</b> = Pin, PC Tail <b>S</b> = Socket, PC Tail
<b>Polarization (See Table I)</b>	<b>A</b> = Normal <b>B</b> = Pos. B <b>C</b> = Pos. C <b>D</b> = Pos. D <b>E</b> = Pos. E <b>F</b> = Pos. F <b>G</b> = Pos. G <b>H</b> = Pos. H <b>J</b> = Pos. J

D

**Table I: Keyway Positions**

Position	A°	B°
<b>A</b>	150°	210°
<b>B</b>	75°	210°
<b>C</b>	95°	230°
<b>D</b>	140°	275°
<b>E</b>	75°	275°
<b>F</b>	95°	210°

### NOTES

1. Contacts are non removable, the connector is back potted
2. This receptacle connector mates with all quick coupling high density plug connectors with same polarization and opposite contact gender (801-01, 801-002, 801-007, and 801-008)

### Material / finish:

- Shell, jam-nut: aluminum alloy or CRES
- Insulator: LCP / N.A.
- Interfacial seal, O-ring, peripheral seal: fluorosilicone / N.A.
- Contact: copper alloy / gold plate per ASTM B 488, Type II, Code C, Class 1.25 (.00005 minimum thickness), over a suitable underplate
- Potting compound: epoxy / N.A.

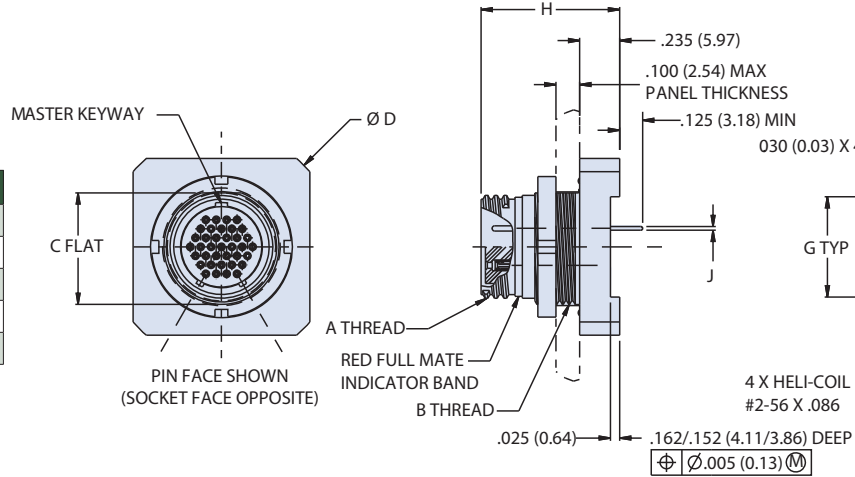
Dimensions in Inches (millimeters) are subject to change without notice.



# Series 801 Mighty Mouse Double-Start ACME Thread PC Tail Receptacle with Threaded Standoff 801-075-07 Dimensions

## Jam-nut PCB receptacle with threaded heli-coil standoff - shell style 07

PC Tail Dimensions	
Contact Size	Ø J
#23	Ø .018/.022
#20	Ø .028/.024
#16	Ø .060/.064
#12	Ø .092/.096



D

Dimensions								
Shell Size	A Thread	B Thread	C Flat	Ø D	E SQ	F BSC	G Typ	H
5	.3125-.05P-.1L-2A	.3750-28 UN-2A	.348 (8.84)	.720 (18.29)	.545 (13.84)	.363 (9.22)	.143 (3.63)	.772 (19.61)
6	.375-.05P-.1L-2A	.4375-28 UNEF-2A	.408 (10.36)	.800 (20.32)	.595 (15.11)	.423 (10.74)	.203 (5.16)	.772 (19.61)
7	.4375-.05P-1L2A	.5625-32 UN-2A	.534 (13.56)	.900 (22.86)	.723 (18.36)	.483 (12.27)	.263 (6.68)	.772 (19.61)
8	.5000-.05P-1L-2A	.5625-32 UN-2A	.534 (13.56)	.980 (24.89)	.723 (18.36)	.545 (13.84)	.325 (8.25)	.772 (19.61)
9	.5625-.05P-.1L-2A	.6250-28 UN-2A	.594 (15.09)	1.080 (27.43)	.790 (20.07)	.607 (15.42)	.387 (9.83)	.772 (19.61)
10	.6250-.05P-1L-2A	.6875-28 UN-2A	.656 (16.66)	1.160 (29.46)	.855 (21.72)	.670 (17.02)	.450 (11.43)	.772 (19.61)
11	.6875-.05P-1L-2A	.7500-28 UN-2A	.716 (18.19)	1.220 (30.99)	.925 (23.50)	.715 (18.16)	.495 (12.57)	.772 (19.61)
13	.8125-.1P-.2L-2A	.8750-28 UN-2A	.843 (21.41)	1.370 (34.80)	1.044 (26.52)	.812 (20.62)	.592 (15.04)	.881 (22.38)
16	1.0000-.1P-.2L-2A	1.0625-20 UN-2A	1.020 (25.91)	1.620 (41.15)	1.230 (31.24)	.981 (24.92)	.751 (19.08)	.881 (22.38)
17	1.0625-.1P-.2L-2A	1.1250-28 UN-2A	1.094 (27.79)	1.720 (43.69)	1.290 (32.77)	1.060 (26.92)	.840 (21.34)	.881 (22.38)
19	1.1875-.1P-.2L-2A	1.2500-28 UN-2A	1.225 (31.12)	1.920 (48.77)	1.415 (35.94)	1.191 (30.25)	.971 (24.66)	.881 (22.38)
21	1.3125-.1p-.2L-2a	1.3750-28 UN-2A	1.345 (34.16)	2.100 (53.34)	1.577 (40.06)	1.322 (33.58)	1.102 (27.99)	.881 (22.38)

Jam-Nut Panel Cutout		
	A FLAT	Ø B
Shell Size	A Flat ± .002 (.05)	Ø B +.005 (-.13) -.000 (-.00)
5	.356 (9.04)	.380 (9.65)
6	.416 (10.57)	.443 (11.25)
7	.542 (13.77)	.567 (14.40)
8	.542 (13.77)	.567 (14.40)
9	.602 (15.29)	.630 (16.00)
10	.664 (16.87)	.693 (17.60)
11	.726 (18.44)	.755 (19.18)
13	.851 (21.62)	.880 (22.35)
16	1.028 (26.11)	1.067 (27.10)
17	1.102 (27.99)	1.130 (28.70)
19	1.233 (31.32)	1.255 (31.88)
21	1.352 (34.34)	1.380 (35.05)

Dimensions in Inches (millimeters) are subject to change without notice.

## X-ON Electronics

Largest Supplier of Electrical and Electronic Components

*Click to view similar products for [Circular MIL Spec Connector](#) category:*

*Click to view products by [Glenair](#) manufacturer:*

Other Similar products are found below :

[0025-262-542](#) [0025-264-3014](#) [58-570121-04S](#) [0134-202-1200](#) [0134-207-1206](#) [0134-207-1800](#) [0134-207-2207](#) [0134-213-0806](#) [0134-213-1007](#) [0134-213-1009](#) [0134-213-1208](#) [0134-213-1800](#) [0134-213-2209](#) [0025-258-000](#) [015-9516-002](#) [60-042722-19P](#) [0114-201-1278](#) [602GB06EG24-61SN](#) [0134-201-1207](#) [0134-201-1806](#) [0134-201-2006](#) [0134-201-2007](#) [0134-201-2010](#) [0134-202-1400](#) [0134-207-0809](#) [0134-207-1208](#) [0134-207-2009](#) [0134-213-1006](#) [6104-207-2302](#) [6104-208-1902](#) [6131-202-19149P](#) [6131-204-21149P](#) [6131-207-13149P](#) [6131-208-13149P](#) [6131-209-17149P](#) [6131-210-11149P](#) [6131-211-19149P](#) [6131-216-19149P](#) [6131-220-25149P](#) [6131-259-11149P](#) [6131-259-21149P](#) [6131-259-23149P](#) [6131-263-19149P](#) [6131-265-17149P](#) [6131-265-19149P](#) [CS3102A-20-15P](#) [CS3102A-20-15S](#) [CS3102C18-4P-472](#) [CS3106A-20-29P](#) [CS3106A-20-74P](#)