

Series 802 "Aqua Mouse"  
Cable Plugs  
802-001 & 802-003



Series 802  
Submersible

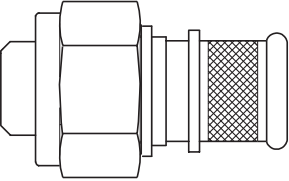



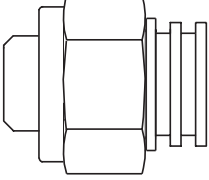
## How to Order Series 802 Cable Plugs

Series 802 "Aqua Mouse" Cable Plugs are available in two styles:

*Integral Band Platform* for attachment of cable shields.

*Integral Molding Platform* for unshielded cable.

### How To Order Series 802 Cable Plugs

Series	Shell Style	Shell Material / Finish	Shell Size / Insert Arrangement	Contact Type	Shell Key
<p><b>802-001</b> Banding Platform</p> 	<b>06</b> Plug	<b>Z1</b> Stainless Steel, with Passivated Finish	<p><b>6-4</b> 4 Contacts</p>  <p><b>6-7</b> 7 Contacts</p>  <p><b>9-19</b> 19 Contacts</p> 	<p><b>P</b> Pin</p> <p><b>S</b> Socket</p>	<p><b>N</b> Normal</p> <p>Alternate Key Positions</p> <p><b>X</b> <b>Y</b> <b>Z</b></p>
<p><b>802-003</b> Molding Platform</p> 					

### Part Number Example

802-001

—06

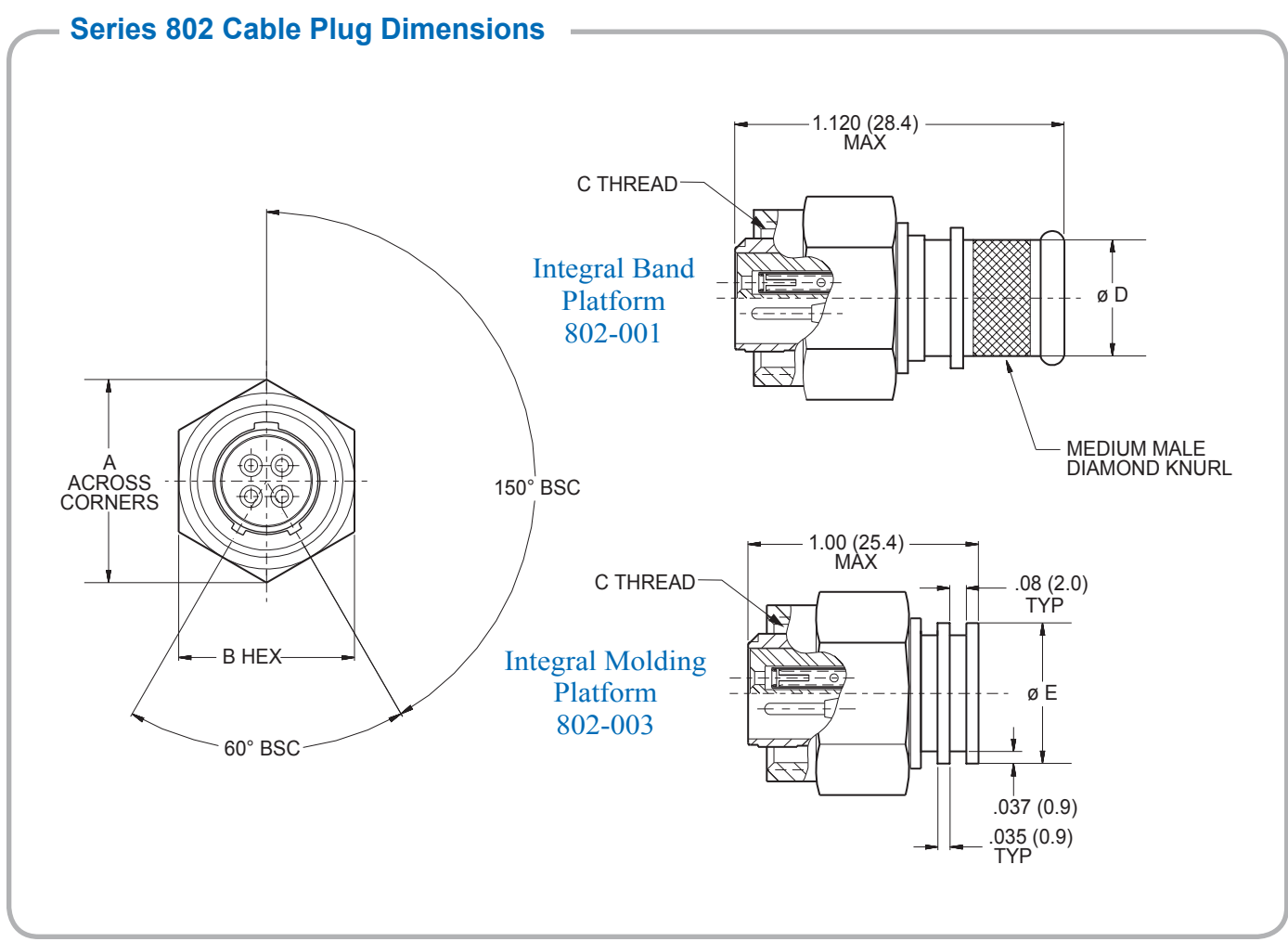
Z1

9—19

P

N

## Series 802 Cable Plug Dimensions



**Series 802 Cable Plug Dimensions**

Layout	A	B Hex	C Thread	Ø D	Ø E
6-4	.69 (17.5)	.625 (15.9)	.5625-20 UN-2B	.30 (7.6)	.375 (9.5)
6-7	.69 (17.5)	.625 (15.9)	.5625-20 UN-2B	.30 (7.6)	.375 (9.5)
9-19	.94 (23.9)	.813 (20.7)	.750-20 UNEF-2B	.52 (13.2)	.595 (15.1)

## X-ON Electronics

Largest Supplier of Electrical and Electronic Components

*Click to view similar products for [Circular MIL Spec Connector](#) category:*

*Click to view products by [Glenair](#) manufacturer:*

Other Similar products are found below :

[0025-262-542](#) [0025-264-3014](#) [58-570121-04S](#) [0134-202-1200](#) [0134-207-1206](#) [0134-207-1800](#) [0134-207-2207](#) [0134-213-0806](#) [0134-213-1007](#) [0134-213-1009](#) [0134-213-1208](#) [0134-213-1800](#) [0134-213-2209](#) [0025-258-000](#) [015-9516-002](#) [60-042722-19P](#) [0114-201-1278](#) [602GB06EG24-61SN](#) [0134-201-1207](#) [0134-201-1806](#) [0134-201-2006](#) [0134-201-2007](#) [0134-201-2010](#) [0134-202-1400](#) [0134-207-0809](#) [0134-207-1208](#) [0134-207-2009](#) [0134-213-1006](#) [6104-207-2302](#) [6104-208-1902](#) [6131-202-19149P](#) [6131-204-21149P](#) [6131-207-13149P](#) [6131-208-13149P](#) [6131-209-17149P](#) [6131-210-11149P](#) [6131-211-19149P](#) [6131-216-19149P](#) [6131-220-25149P](#) [6131-259-11149P](#) [6131-259-21149P](#) [6131-259-23149P](#) [6131-263-19149P](#) [6131-265-17149P](#) [6131-265-19149P](#) [CS3102A-20-15P](#) [CS3102A-20-15S](#) [CS3102C18-4P-472](#) [CS3106A-20-29P](#) [CS3106A-20-74P](#)