

Series 802 "Aqua Mouse"
Cable Plugs
802-001 & 802-003



Series 802
Submersible

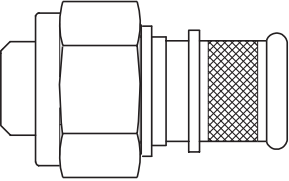



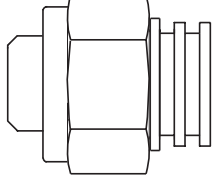
How to Order Series 802 Cable Plugs

Series 802 "Aqua Mouse" Cable Plugs are available in two styles:

Integral Band Platform for attachment of cable shields.

Integral Molding Platform for unshielded cable.

How To Order Series 802 Cable Plugs

Series	Shell Style	Shell Material / Finish	Shell Size / Insert Arrangement	Contact Type	Shell Key
802-001 Banding Platform 	06 Plug	Z1 Stainless Steel, with Passivated Finish	6-4 4 Contacts  6-7 7 Contacts  9-19 19 Contacts 	P Pin S Socket	N Normal Alternate Key Positions X Y Z
802-003 Molding Platform 					

Part Number Example

802-001

—06

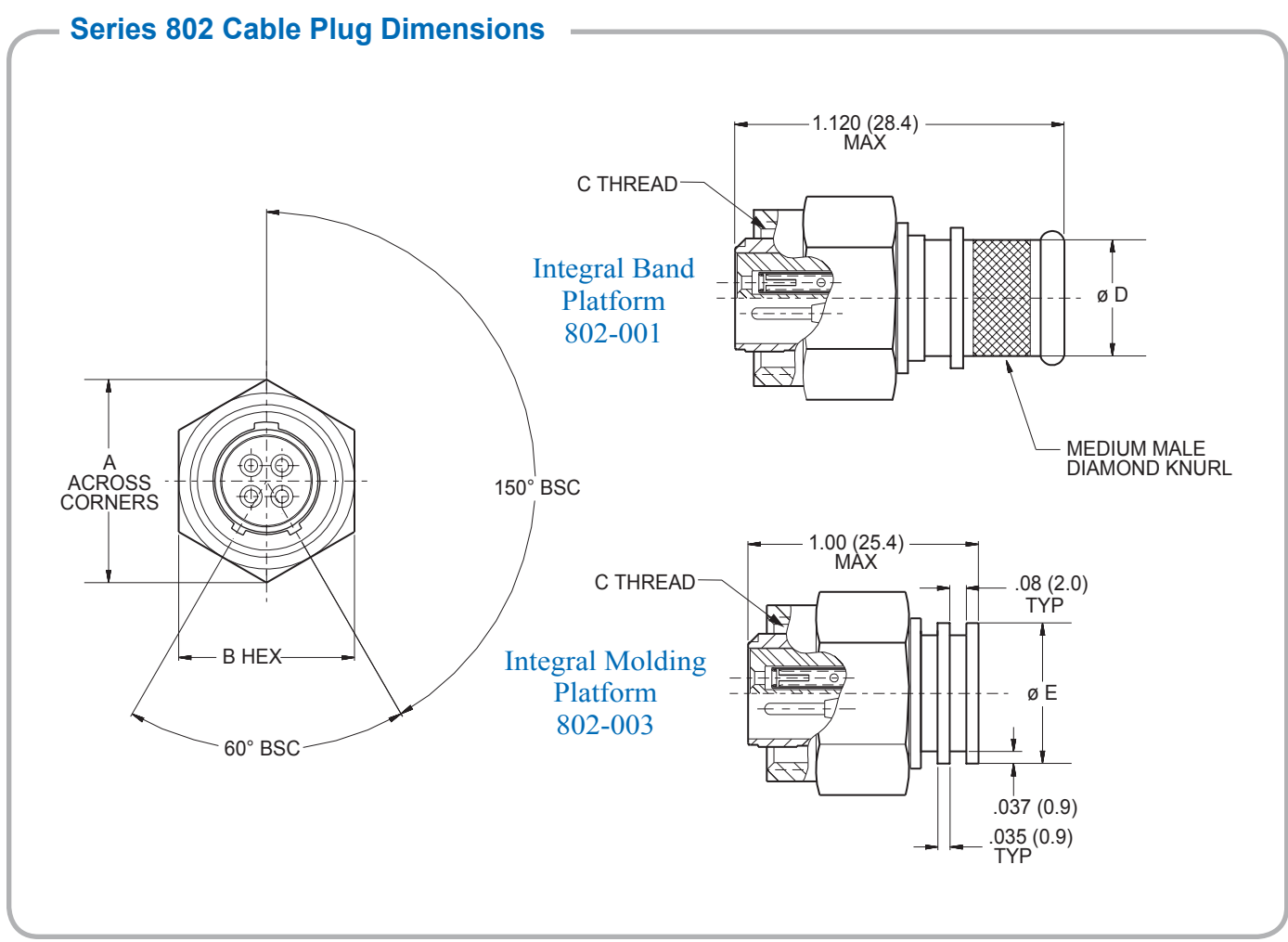
Z1

9—19

P

N

Series 802 Cable Plug Dimensions



Series 802 Cable Plug Dimensions

Layout	A	B Hex	C Thread	Ø D	Ø E
6-4	.69 (17.5)	.625 (15.9)	.5625-20 UN-2B	.30 (7.6)	.375 (9.5)
6-7	.69 (17.5)	.625 (15.9)	.5625-20 UN-2B	.30 (7.6)	.375 (9.5)
9-19	.94 (23.9)	.813 (20.7)	.750-20 UNEF-2B	.52 (13.2)	.595 (15.1)

X-ON Electronics

Largest Supplier of Electrical and Electronic Components

Click to view similar products for [Circular MIL Spec Connector](#) category:

Click to view products by [Glenair](#) manufacturer:

Other Similar products are found below :

[0025-262-542](#) [0025-264-3014](#) [58-570121-04S](#) [0134-202-1200](#) [0134-207-1206](#) [0134-207-1800](#) [0134-207-2207](#) [0134-213-0806](#) [0134-213-1007](#) [0134-213-1009](#) [0134-213-1208](#) [0134-213-1800](#) [0134-213-2209](#) [0025-258-000](#) [015-9516-002](#) [60-042722-19P](#) [0114-201-1278](#) [602GB06EG24-61SN](#) [0134-201-1207](#) [0134-201-1806](#) [0134-201-2006](#) [0134-201-2007](#) [0134-201-2010](#) [0134-202-1400](#) [0134-207-0809](#) [0134-207-1208](#) [0134-207-2009](#) [0134-213-1006](#) [6104-207-2302](#) [6104-208-1902](#) [6131-202-19149P](#) [6131-204-21149P](#) [6131-207-13149P](#) [6131-208-13149P](#) [6131-209-17149P](#) [6131-210-11149P](#) [6131-211-19149P](#) [6131-216-19149P](#) [6131-220-25149P](#) [6131-259-11149P](#) [6131-259-21149P](#) [6131-259-23149P](#) [6131-263-19149P](#) [6131-265-17149P](#) [6131-265-19149P](#) [CS3102A-20-15P](#) [CS3102A-20-15S](#) [CS3102C18-4P-472](#) [CS3106A-20-29P](#) [CS3106A-20-74P](#)