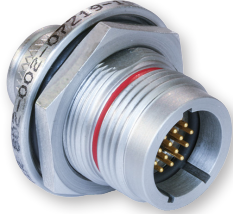


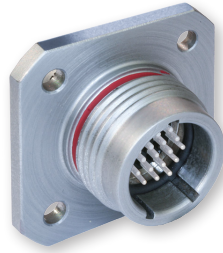


Series 802 AquaMouse™ Submersible Receptacle

802-010 and 802-011 Ordering Information



Jam Nut, Rear Mount



Square Flange

Three Shell Mounting Options: Jam nut with o-ring for rear panel mounting, square flange for front panel mounting, or in-line receptacles for free-hanging cables.

Two Shell Styles: Choose the integral band platform for direct attachment of a cable shield. Install a boot, or overmold a boot over the band platform. An accessory thread is available for attaching strain reliefs and backshells.

How To Order

Sample Part Number	802-011	-02	Z1	10-26	P	B						
Series (See Table I)	802-010 = Receptacle with Banding Platform 802-011 = Receptacle with Accessory Thread											
Shell Style (See Table II)	-01 = In-Line -02 = Square Flange for Front Panel Mounting -07 = Jam Nut for Rear Panel Mounting											
Shell Material and Finish	Z1 = Stainless Steel/Passivated RoHS Compliant ZM = Stainless Steel/Electroless Nickel Plated AB = Marine Bronze/Unplated											
Shell Size - Insert Arrangement	See Contact Arrangements Page E-2											
Contact Type	<table border="0"> <tr> <td>Connector supplied with contacts</td> <td>Connector supplied without contacts</td> </tr> <tr> <td>P = Pin</td> <td>A = Pin Connector, less contacts</td> </tr> <tr> <td>S = Socket</td> <td>B = Socket Connector, less contacts</td> </tr> </table> <p>Connectors with contacts are supplied with signal and/or power crimp contacts. These contacts are not installed. Coaxial contacts and non-standard signal contacts are ordered separately.</p>						Connector supplied with contacts	Connector supplied without contacts	P = Pin	A = Pin Connector, less contacts	S = Socket	B = Socket Connector, less contacts
Connector supplied with contacts	Connector supplied without contacts											
P = Pin	A = Pin Connector, less contacts											
S = Socket	B = Socket Connector, less contacts											
Shell Key Positions (See Table III)	A = Normal B = Pos. B C = Pos. C D = Pos. D E = Pos. E F = Pos. F See Keyway Positions Page E3											

Table I: Series

802-010 Receptacle with Banding Platform	802-011 Receptacle with Accessory Thread

Table II: Shell Style

-01 In-Line	-02 Square Flange	-07 Jam Nut for Rear Panel Mounting

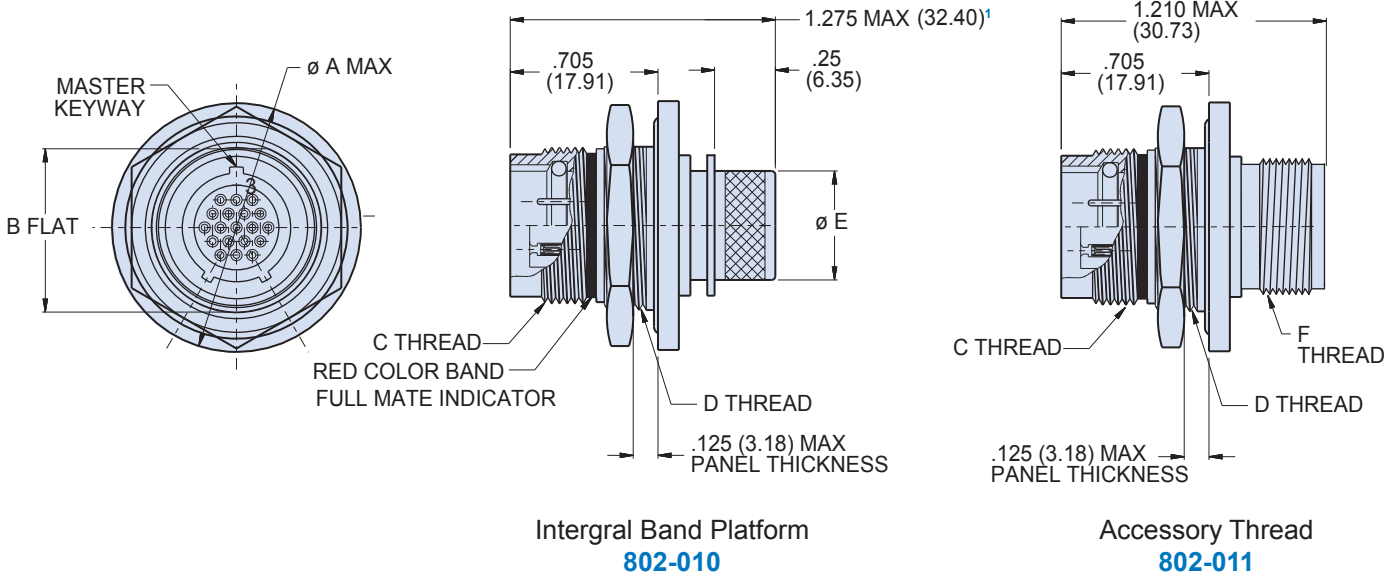
Dimensions in Inches (millimeters) are subject to change without notice.

Series 802 AquaMouse™ Submersible Receptacle
802-010-07 and 802-011-07 Dimensions



Series 802

Jam nut, rear panel mount - Shell style 07



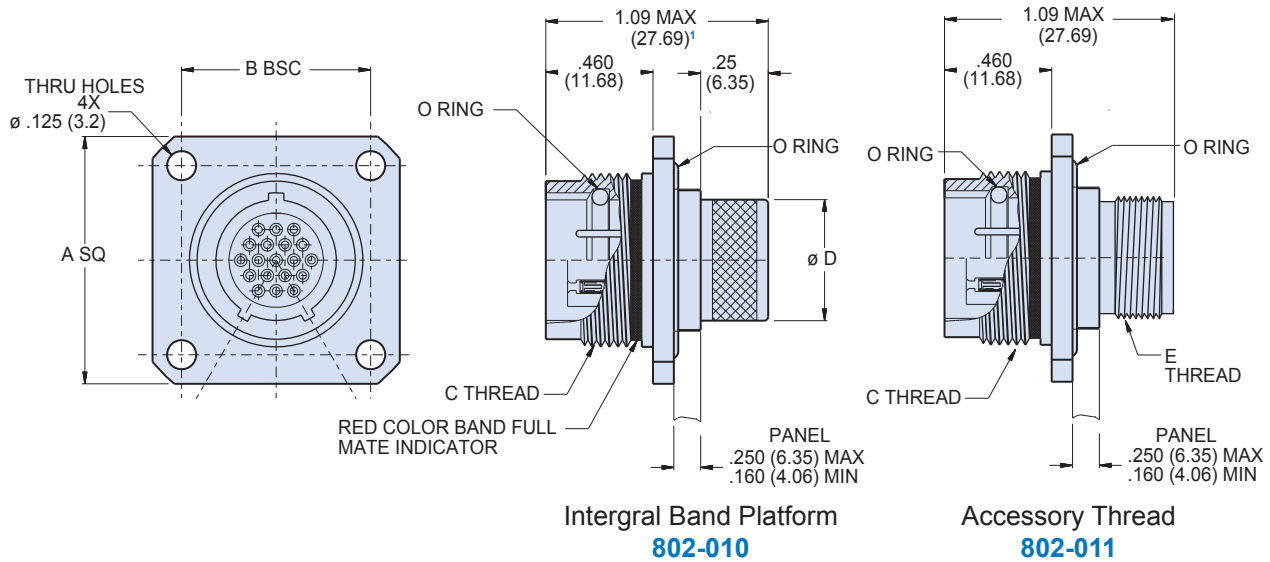
Shell Size	Dimensions								Panel Cutout Dimensions				
	A Max.		B Flat		C Mating Threads	D Jam Nut Threads	Ø E		F Accessory Threads	G Flat		Ø H	
	In.	mm.	In. ±.003	mm. ±0.08			In.	mm.		In. ±.003	mm. ±0.08	In.	mm.
5	.885	22.48	.466	11.84	.4375-28 UNEF	.5000-32 UN-2A	.232	5.90	.2500-32 UNEF-2A	0.479/0.474	12.17/12.04	.510	12.95
6	1.010	25.65	.591	15.01	.5625-20 UN	.6250-28 UN-2A	.312	7.92	.3125-32 UNEF-2A	0.604/0.599	15.34/15.21	.635	16.13
7	1.072	27.23	.653	16.59	.6250-20 UN	.6875-28 UN-2A	.375	9.53	.4375-28 UNEF-2A	0.666/0.661	16.92/16.79	.697	17.70
8	1.135	28.83	.729/1.725	18.52/18.41	.6875-20 UN	.7500-28 UN-2A	.438	11.13	.5000-28 UNEF-2A	0.737/0.733	18.72/18.62	.760	19.30
9	1.195	30.35	.778	19.76	.7500-20 UNEF	.8125-28 UN-2A	.500	12.70	.5625-24 UNEF-2A	0.791/0.786	20.09/19.96	.822	20.88
10	1.260	32.00	.827	21.01	.8125-20 UNEF	.8750-28 UN-2A	.562	14.27	.6250-24 UNEF-2A	0.84/0.835	21.34/21.21	.885	22.48
12	1.322	33.58	.890	22.61	.8750-20 UNEF	.9375-28 UN-2A	.656	16.66	.6875-24 UNEF-2A	0.903/0.898	22.94/22.81	.948	24.08
14	1.510	38.35	1.077	27.36	1.0625-20 UN	1.1250-28 UN-2A	.812	20.62	.8750-20 UNEF-2A	1.09/1.085	27.69/27.56	1.135	28.83
15	1.572	39.93	1.140	28.96	1.1250-20 UN	1.1875-28 UN-2A	.885	22.40	.9375-20 UNEF-2A	1.153/1.148	29.29/29.16	1.198	30.43
21	1.940	49.28	1.467/1.463	37.26/37.16	1.4375-20 UN	1.5000-28 UN-2A	1.188	30.18	1.2500-20 UNEF-2A	1.478/1.471	37.54/37.36	1.510	38.35

NOTES

- Grommet protrudes for power/combo/#8 arrangements.

Dimensions in Inches (millimeters) are subject to change without notice.

Square flange front panel mount receptacle - shell style 02



E

Dimensions

Shell Size	A Square		B Bsc.		C Mating Threads	Ø D		E Accessory Threads	Ø F	
	In.	mm.	In.	mm.		In.	mm.		In.	mm.
5	.885	22.48	.500	12.70	.4375-28 UNEF	.232	5.90	.250-32 UNEF-2A	.327	8.31
6	1.010	25.65	.625	15.88	.5625-20 UN	.312	7.92	.312-32 UNEF-2A	.390	9.91
7	1.072	27.23	.688	17.48	.6250-20 UN	.375	9.53	.438-28 UNEF-2A	.515	13.08
8	1.135	28.83	.750	19.05	.6875-20 UN	.438	11.13	.500-28 UNEF-2A	.577	14.66
9	1.195	30.35	.812	20.62	.7500-20 UNEF	.500	12.70	.562-24 UNEF-2A	.640	16.26
10	1.260	32.00	.875	22.23	.8125-20 UNEF	.562	14.27	.625-24 UNEF-2A	.702	17.83
12	1.323	33.60	.938	23.83	.8750-20 UNEF	.656	16.66	.688-24 UNEF-2A	.765	19.43
14	1.510	38.35	1.125	28.58	1.0625-20 UN	.812	20.62	.875-20 UNEF-2A	.953	24.21
15	1.573	39.95	1.188	30.18	1.1250-20 UN	.885	22.40	.938-20 UNEF-2A	1.015	25.78
21	1.750	44.45	1.375	34.93	1.4375-20 UN	1.188	30.18	1.250-20 UNEF-2A	1.312	33.32

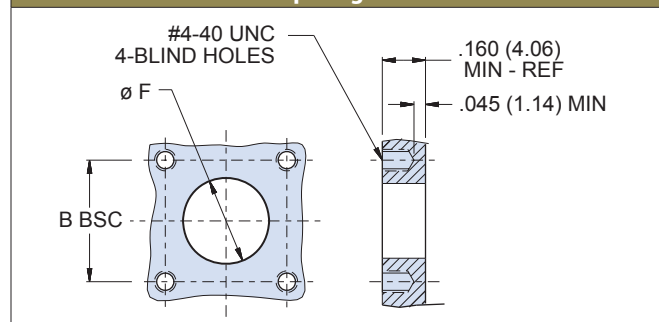
Piston O-ring replacement

Shell size	Flange Style 02 O-ring P/N
5	2-012
6	2-014
7	2-015
8	2-016
9	2-017
10	2-018
12	2-019
14	2-022
15	2-023
21	2-028

NOTES

- Grommet protrudes for power/combo/#8 arrangements.

Series 802 Sq Flange Panel Cutout



Dimensions in Inches (millimeters) are subject to change without notice.

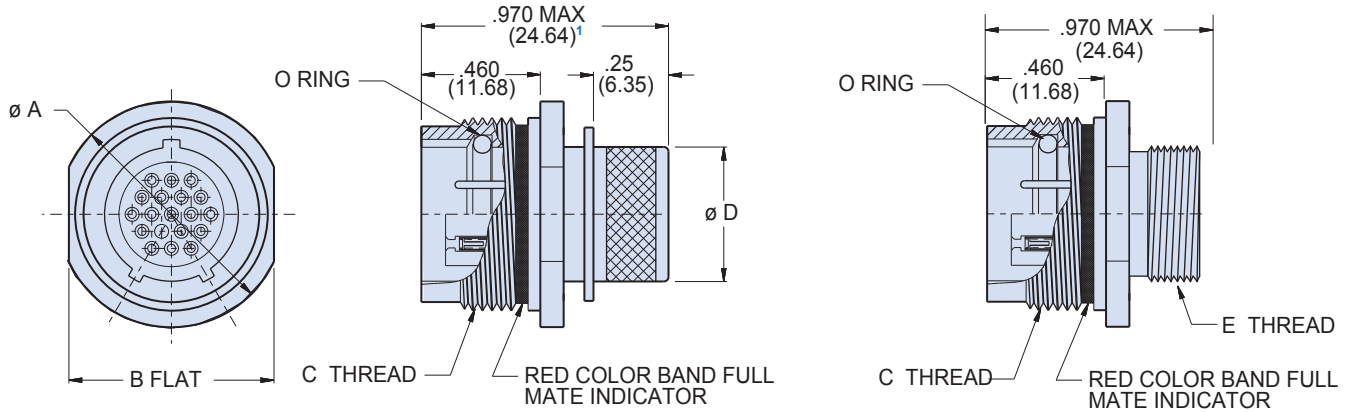
Series 802 AquaMouse™ Submersible Receptacle

802-010-01 and 802-011-01 Dimensions



Series 802

In-line receptacle - shell style 01



Integral Band Platform
802-010

Accessory Thread
802-011

Dimensions								
Shell Size	Ø A		B Flats		C Mating Threads	Ø D		E Accessory Threads
	In.	mm.	In.	mm.		In.	mm.	
5	.560	14.22	.500	12.70	.4375-28 UNEF	.232	5.90	.250-32 UNEF-2A
6	.720	18.29	.625	15.88	.5625-20 UN	.312	7.92	.312-32 UNEF-2A
7	.780	19.81	.688	17.48	.6250-20 UN	.375	9.53	.438-28 UNEF-2A
8	.860	21.84	.750	19.05	.6875-20 UN	.438	11.13	.500-28 UNEF-2A
9	.930	23.62	.812	20.62	.7500-20 UNEF	.500	12.70	.562-24 UNEF-2A
10	1.000	25.40	.875	22.23	.8125-20 UNEF	.562	14.27	.625-24 UNEF-2A
12	1.060	26.92	.938	23.83	.8750-20 UNEF	.656	16.66	.688-24 UNEF-2A
14	1.250	31.75	1.125	28.58	1.0625-20 UN	.812	20.62	.875-20 UNEF-2A
15	1.320	33.53	1.188	30.18	1.1250-20 UN	.885	22.40	.938-20 UNEF-2A
21	1.690	42.93	1.562	39.67	1.4375-20 UN	1.188	30.18	1.250-20 UNEF-2A

Piston O-ring replacement	
Shell size	Piston O-ring P/N
5	2-009
6	5-052
7	5-012
8	5-212
9	2-014
10	2-015
12	2-016
14	2-019
15	2-020
21	2-023

NOTES

1. Grommet protrudes for power/combo/#8 arrangements.

Dimensions in Inches (millimeters) are subject to change without notice.

X-ON Electronics

Largest Supplier of Electrical and Electronic Components

Click to view similar products for [Standard Circular Connector](#) category:

Click to view products by [Glenair](#) manufacturer:

Other Similar products are found below :

[C015](#) [10F006](#) [001](#) [1](#) [5M2530B10P](#) [600247N007](#) [600259N006](#) [600273N007](#) [600432N009](#) [6280-2PG-519](#) [6280-3PG-311](#) [6280-3SG-311](#)
[6280-7SG-3DC](#) [6280-7SG-522](#) [6282-5PG-311](#) [6282-6PG-519](#) [6282-8SG-311](#) [6283-11](#) [6283-15](#) [6290](#) [6293](#) [6382-2PG-311](#) [6382-2PG-3DC](#)
[6382-2SG-321](#) [6382-2SG-3DC](#) [6382-4SG-516](#) [67-03E20-37P](#) [681-PMG](#) [CXS3102A14S2P](#) [CXS3102A181S](#) [CXS3106A14S6S](#) [MB12P-1](#)
[MB12R-6](#) [7251-2PG-300](#) [7251-2SG-300](#) [7251-4PG-300](#) [7251-4SG-300](#) [7251-5PG-300](#) [7251-5SG-300](#) [7251-6SG-300](#) [7251-7PG-300](#) [7251-](#)
[8PG-300](#) [7271-6SG-300](#) [7282-3PG-300-CH3](#) [73000005663](#) [75-190011-03P](#) [75-190216-08S](#) [75-190218-10P](#) [75-214636-52P](#) [75-474118-10P](#)
[75-474211-03P](#) [75-474218-19S](#) [75-474618-01S](#)