

SERIES 802 2400M / 3500 PSI Ultraminiature Subsea Connectors



802-012 or 802-030 Submersible solder cup or PC tail receptacle



Printed Circuit Board/ Solder Cup Receptacles feature low profile shells for minimum protrusion inside enclosures and integral standoffs for board washout. Contacts are non-removable.

Water Immersion, Unmated

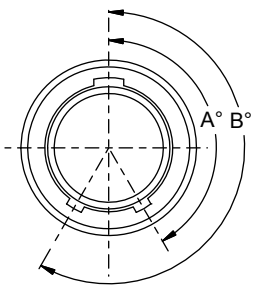
Specify **802-012** connectors for applications where open face water immersion is not a requirement. For MIL-STD-810 Method 512G immersion requirements, specify **802-030** watertight connectors. These 802-030 connectors are specially sealed ("MOD-518") and are 100% tested to maintain a helium leak rate of 1×10^{-4} cc/second at one atmosphere pressure differential from -40C to +70C.

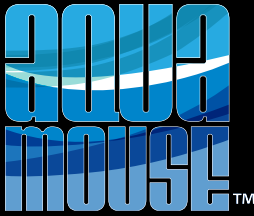
SUBSEA/SHALLOW WATER: AQUAMOUSE™

| How To Order | |
|--|---|
| Sample Part Number | 802-012 -00 Z1 9-200 P A |
| Series | 802-012 = Receptacle for Solder Cup or PCB Termination, with Standard Epoxy Potting 802-030 = Receptacle for Solder Cup or PCB Termination, with Special "MOD-518" Sealing for Open Face (Unmated) Water Immersion Requirements. 100% Leak Tested. |
| Shell Style (See Table I) | -00 = Jam Nut for Front Panel Mounting -02 = Square Flange for Front Panel Mounting -07 = Jam Nut for Rear Panel Mounting |
| Shell Material and Finish | Z1 = Stainless Steel / Passivated RoHS Compliant ZM = Stainless Steel/Electroless Nickel Plated AB = Marine Bronze/Unplated |
| Shell Size - Contact Arrangement | See Contact Arrangements page 4-6 See beginning of this section for PCB footprints |
| Contact Type | P = Pin, PC Tail E = Pin, Solder Cup S = Socket, PC Tail F = Socket, Solder Cup |
| Shell Key Position (See Table II) | A = Normal B = Pos. B C = Pos. C D = Pos. D E = Pos. E F = Pos. F |

| | | |
|--|-----------------------------|---|
| | | |
| -00 Jam Nut for Front Panel Mounting | -02 Square Flange | -07 Jam Nut for Rear Panel Mounting |

| Key Position | Key Rotation | |
|--------------|--------------|------|
| | A° | B° |
| A Normal | 150° | 210° |
| B | 75° | 210° |
| C | 95° | 230° |
| D | 140° | 275° |
| E | 75° | 275° |
| F | 9° | 210° |





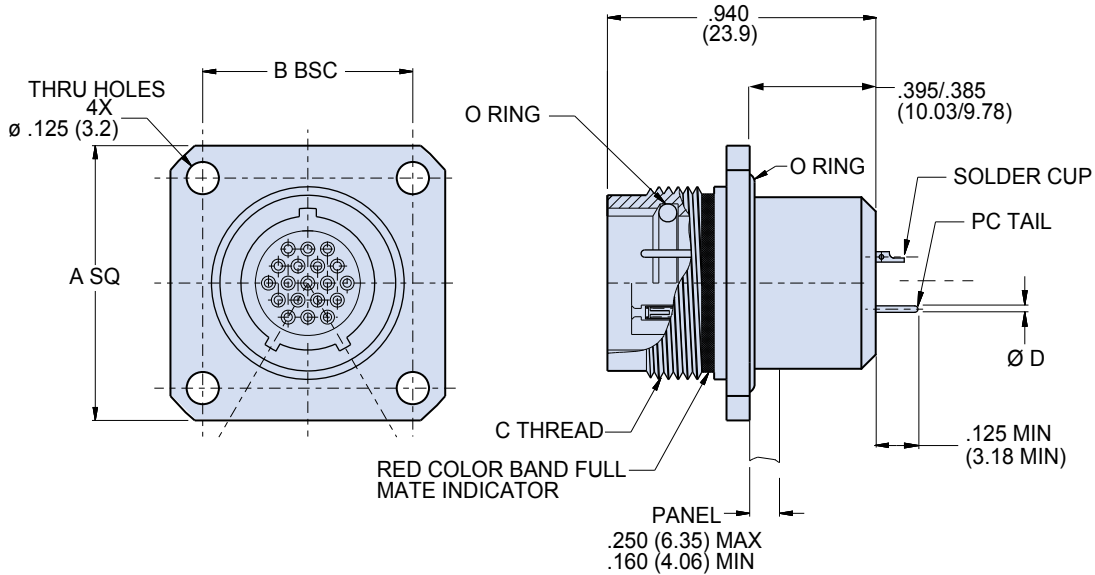
SERIES 802 2400M / 3500 PSI Ultraminiature Subsea Connectors



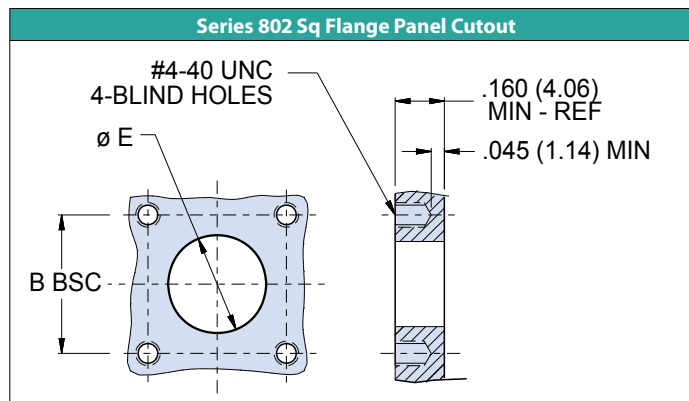
802-012 or 802-030 (FCR)

Flange connector receptacle, front panel mount

FLANGE CONNECTOR RECEPTACLE (FCR), SOLDER CUP OR PC TAIL RECEPTACLE - SHELL STYLE 02

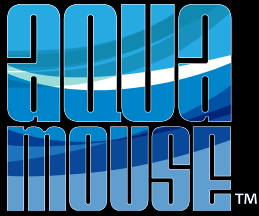


| Dimensions | | | | | |
|------------|---------------|---------------|------------------|------------------------------|---------------|
| Shell Size | A Square | B Bsc. | C Mating Threads | ϕD Tail Dia. | ϕE |
| 5 | .885 (22.48) | .500 (12.70) | .4375-28 UNEF | #23 .018/.022 (0.46/0.56) | .327 (8.31) |
| 6 | 1.010 (25.65) | .625 (15.88) | .5625-20 UN | | .390 (9.91) |
| 7 | 1.072 (27.23) | .688 (17.48) | .6250-20 UN | #20 .024/.028 (0.61/0.71) | .515 (13.08) |
| 8 | 1.135 (28.83) | .750 (19.05) | .6875-20 UN | | .577 (14.66) |
| 9 | 1.195 (30.35) | .812 (20.62) | .7500-20 UNEF | #16 .060/.064 (1.52/1.63) | .640 (16.26) |
| 10 | 1.260 (32.00) | .875 (22.23) | .8125-20 UNEF | | .702 (17.83) |
| 12 | 1.323 (33.60) | .938 (23.83) | .8750-20 UNEF | #12 .092/.096 (2.34/2.44) | .765 (19.43) |
| 14 | 1.510 (38.25) | 1.125 (28.58) | 1.0625-20 UN | | .953 (24.21) |
| 15 | 1.573 (39.95) | 1.188 (30.18) | 1.1250-20 UN | #12 .092/.096 (2.34/2.44) | 1.015 (25.78) |
| 21 | 1.750 (44.45) | 1.375 (34.92) | 1.4375-20 UN | | 1.312 (33.32) |



SUBSEA SHALLOW WATER: AQUAMOUSE™





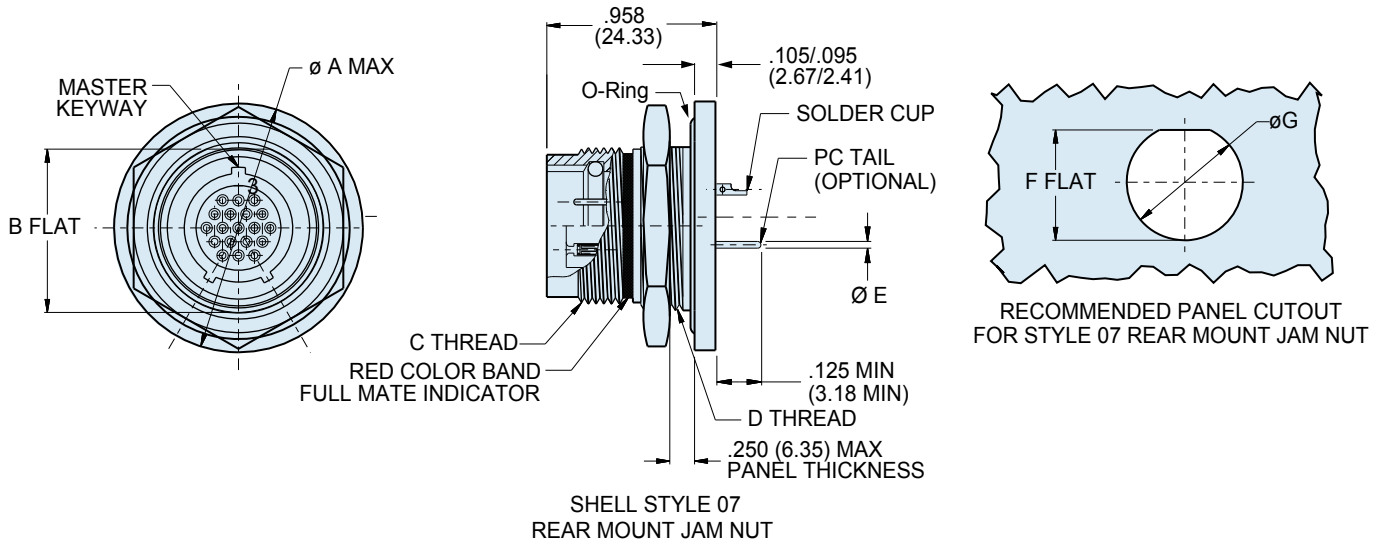
SERIES 802 2400M / 3500 PSI
Ultraminiature Subsea Connectors



802-012 or 802-030

Rear panel mount, jam nut receptacle

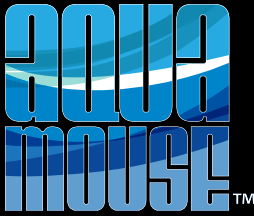
REAR PANEL MOUNT, SOLDER CUP OR PC TAIL RECEPTACLE - SHELL STYLE 07



SUBSEA/SHALLOW WATER: AQUAMOUSE™

| Shell Size | Dimensions | | | | Ø E Tail Dia. | Panel Cutout | | |
|------------|---------------|---------------|------------------|-----------------|------------------------------|------------------------------|------------------------------|--------------|
| | Ø A Max. | B Flat ± .003 | C Mating Threads | D Threads | | F Flat ± .003 | Ø G | |
| 5 | .885 (22.48) | .466 (11.84) | .4375-28 UNEF | .5000-32 UN-2A | #23 .018/.022 (0.46/0.56) | .477 (12.12) | .510 (12.95) | |
| 6 | 1.010 (25.65) | .591 (15.01) | .5625-20 UN | .6250-28 UN-2A | | #20 .024/.028 (0.61/0.71) | .602 (15.29) | .635 (16.13) |
| 7 | 1.072 (27.23) | .653 (16.59) | .6250-20 UN | .6875-28 UN-2A | | | #16 .060/.064 (1.52/1.63) | .664 (16.87) |
| 8 | 1.135 (28.83) | .716 (18.19) | .6875-20 UN | .7500-28 UN-2A | | #12 .092/.096 (2.34/2.44) | | .727 (18.47) |
| 9 | 1.195 (30.35) | .778 (19.76) | .7500-20 UNEF | .8125-28 UN-2A | | | .789 (20.04) | .822 (20.88) |
| 10 | 1.260 (32.00) | .827 (21.01) | .8125-20 UNEF | .8750-28 UN-2A | | .838 (21.29) | .885 (22.48) | |
| 12 | 1.322 (33.58) | .890 (22.61) | .8750-20 UNEF | .9375-28 UN-2A | | .901 (22.89) | .948 (24.08) | |
| 14 | 1.510 (38.35) | 1.077 (27.36) | 1.0625-20 UN | 1.1250-28 UN-2A | | 1.088 (27.64) | 1.135 (28.83) | |
| 15 | 1.572 (39.93) | 1.140 (28.96) | 1.1250-20 UN | 1.1875-28 UN-2A | | 1.151 (29.24) | 1.198 (30.43) | |
| 21 | 1.940 (49.28) | 1.463/1.467 | 1.4375-20 UN | 1.500-28 UN-2A | | 1.473 (37.41) | 1.510 (38.35) | |

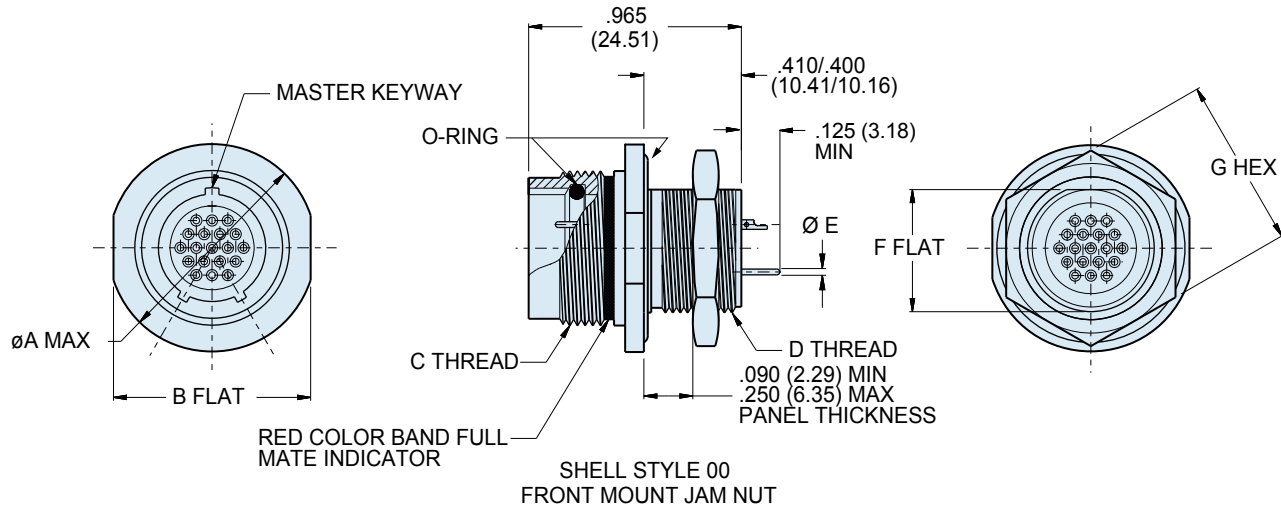




SERIES 802 2400M / 3500 PSI
Ultraminiature Subsea Connectors
802-012 or 802-030
Front panel mount, jam nut receptacle



FRONT PANEL MOUNT, SOLDER CUP OR PC TAIL RECEPTACLE - SHELL STYLE 00



| Dimensions | | | | | | | |
|------------|--------------|---------------|------------------|----------------|---------------------------------|---------------|---------------|
| Shell Size | Ø A Max. | B Flat | C Mating Threads | D Threads | Ø E Tail Dia. | F Flat | G Hex |
| 5 | .72 (18.29) | .625 (15.88) | .4375-28 UNEF-2A | .312-28 UN-2A | #23 .018/.022 (0.46/0.56) | .281 (7.14) | .500 (12.70) |
| 6 | .78 (19.81) | .750 (19.05) | .5625-20 UN-2A | .438-28 UN-2A | | .344 (8.74) | .625 (15.88) |
| 7 | .91 (23.11) | .812 (20.62) | .6250-20 UN-2A | .500-32 UN-2A | | .469 (11.91) | .688 (17.48) |
| 8 | .96 (24.38) | .875 (22.23) | .6875-20 UN-2A | .562-28 UN-2A | | .531 (13.49) | .750 (19.05) |
| 9 | 1.03 (26.16) | .937 (23.80) | .7500-20 UNEF-2A | .625-28 UN-2A | | .594 (15.09) | .812 (20.62) |
| 10 | 1.09 (27.69) | 1.000 (25.40) | .8125-20 UNEF-2A | .687-28 UN-2A | | .656 (16.66) | .875 (22.23) |
| 12 | 1.16 (29.46) | 1.062 (26.97) | .8750-20 UNEF-2A | .750-28 UN-2A | | .719 (18.26) | .938 (23.83) |
| 14 | 1.34 (34.04) | 1.250 (31.75) | 1.0625-20 UN-2A | .938-28 UN-2A | | .893 (22.68) | 1.125 (28.58) |
| 15 | 1.41 (35.81) | 1.312 (33.32) | 1.1250-20 UN-2A | 1.000-28 UN-2A | | .955 (24.26) | 1.188 (30.18) |
| 21 | 1.70 (43.18) | 1.562 (39.67) | 1.4375-20 UN-2A | 1.312-28 UN | | 1.257 (31.93) | 1.500 (38.10) |

| Cutout Dimensions | | | | | | |
|---|------------|--------------|--------------|------------|---------------|--------------|
| RECOMMENDED PANEL CUTOUT FOR STYLE 00 FRONT MOUNT JAM NUT | Shell Size | H Flat | Ø J | Shell Size | H Flat | Ø J |
| | | 5 | .291 (7.39) | .322 | 10 | .666 (16.92) |
| .291 (7.39) | | | .661 (16.79) | | | |
| 6 | | .417 (10.59) | .448 | 12 | .729 (18.52) | .760 |
| | | .412 (10.46) | | | .724 (18.39) | |
| 7 | | .479 (12.17) | .510 | 14 | .903 (22.94) | .948 |
| | | .474 (12.04) | | | .898 (22.81) | |
| 8 | | .541 (13.74) | .572 | 15 | .965 (24.51) | 1.010 |
| | | .536 (13.61) | | | .960 (24.38) | |
| 9 | | .604 (15.34) | .635 | 21 | 1.267 (32.18) | 1.322 |
| | | .599 (15.21) | | | 1.263 (32.08) | |

SUBSEA SHALLOW WATER: AQUAMOUSE™



X-ON Electronics

Largest Supplier of Electrical and Electronic Components

Click to view similar products for [Circular MIL Spec Connector](#) category:

Click to view products by [Glenair](#) manufacturer:

Other Similar products are found below :

[89075GULPR](#) [0025-262-542](#) [0025-264-3014](#) [58-570121-04S](#) [0134-213-1208](#) [0134-213-2209](#) [0025-258-000](#) [60-042022-07P](#) [60-042022-19P](#)
[60-042022-23P](#) [60-042217-10P](#) [0114-201-1278](#) [012-0467-000](#) [602GB06EG24-61SN](#) [0134-201-1207](#) [0134-213-1006](#) [6104-207-2302](#) [6104-](#)
[208-1902](#) [61-168211-04P](#) [61-168617-10P](#) [6131-202-19149P](#) [6131-204-21149P](#) [6131-208-13149P](#) [6131-209-17149P](#) [6131-210-11149P](#) [6131-](#)
[211-19149P](#) [6131-216-19149P](#) [6131-259-21149P](#) [6131-259-23149P](#) [6131-265-17149P](#) [6131-265-19149P](#) [CS3100A18-1P-472](#) [CS3100A-36-](#)
[77P](#) [CS3101A-16-55P](#) [CS3102A-10SL-55P](#) [CS3102A-14S-58P](#) [CS3102A-32-17P](#) [CS3102A32-25S](#) [CS3102C18-4P-472](#)
[CS3106A10SL3S004](#) [CS3106A-18-73S](#) [CS3108A-14S-52S](#) [CS3108A-28-51S](#) [6162-233-1277](#) [6162-324-1231](#) [M243082296Z](#)
[M2884010AC1S1](#) [CT0-24-10SC](#) [CT0M20-7PCAU](#) [M28840/17AC1G3](#)