



# Series 803 Mighty Mouse, ¼ Turn Bayonet Coupling Receptacle with Crimp Removable Contacts

## 803-003 and 803-004 Ordering Information

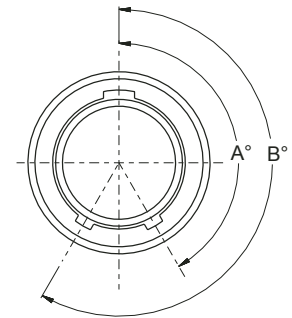


**Series 803 receptacle** feature Push-To-Mate, ¼ turn to lock mating. These quick-mating connectors feature bayonet pins on the receptacle. Simply push the connectors together, then rotate the plug coupling nut 90° to lock the connectors together. Supplied with crimp contacts, packaged separately. Terminate contacts with standard M22520 tools. Metal clips inside the connector body lock contact into place and are removable. Fluorosilicone interfacial seal and rear grommet protect from water ingress. Integral band platform and boot groove for direct attachment of a cable shield, for use with Band-Master® ATS band (sold separately), and complete cable termination with Series 77 heat-shrink boot or overmold directly onto the band platform. Select accessory thread option to attach backshell or strain relief attachments.

### How To Order

Sample Part Number	803-003	-07	NF	6-7	S	N
<b>Series (See Table I)</b>	803-003 = Receptacle with Banding Platform 803-004 = Receptacle with Accessory Thread					
<b>Shell Style (See Table II)</b>	-01 = In-Line   -02 = Flange Mount   -07 = Jam-Nut					
<b>Shell Material and Finish</b>	C = Aluminum / Black Anodize (Non-Conductive); RoHS Compliant M = Aluminum / Electroless Nickel; RoHS Compliant MT = Aluminum / Nickel-PTFE RoHS Compliant NF = Aluminum / Cadmium with Olive Drab Chromate ZNU = Aluminum / Zinc-Nickel with Black Chromate Z1 = Stainless Steel / Passivated; RoHS Compliant					
<b>Shell Size - Insert Arrangement</b>	See Contact Arrangements Page F-2					
<b>Contact Type</b>	Connector supplied with contacts P = Pin S = Socket		Connector supplied without contacts A = Pin Connector, less contacts B = Socket Connector, less contacts			
Contacts are supplied loose and not installed when supplied with connector. Coaxial contacts and non-standard signal contacts are ordered separately.						
<b>Polarization (See Table III)</b>	N = Normal   X = Pos. X   Y = Pos. y   Z = Pos. Z					

**Table III: Keyway Polarization**



Pos.	A°	B°
N	150°	210°
X	75°	210°
Y	95°	230°
Z	140°	275°

**Table I: Series**

<b>803-003</b> Plug with Banding Platform	<b>803-004</b> Plug with Accessory Thread

**Table II: Shell Style**

<b>-01</b> In-line	<b>-02</b> Flange Mount	<b>-07</b> Jam-Nut

### NOTES

- Contacts are size 23 crimp type, and are used in a rear release retention system
- For additional insert arrangements consult factory
- Crimp barrel accommodates 22, 24, 26 and 28 gage wire
- Crimp Tool Data:
  - Crimp Frame: M22520/2-01
  - Positioner for use with crimp frame: "Glenair Part No. 809-005
  - Insertion tool: Glenair part no. 809-013
  - Extraction tool: Glenair part no. 809-007 (metal) and 809-0019 (plastic)
- Connector mates with all bayonet plug connectors with same polarization and opposite contact gender

Dimensions in Inches (millimeters) are subject to change without notice.

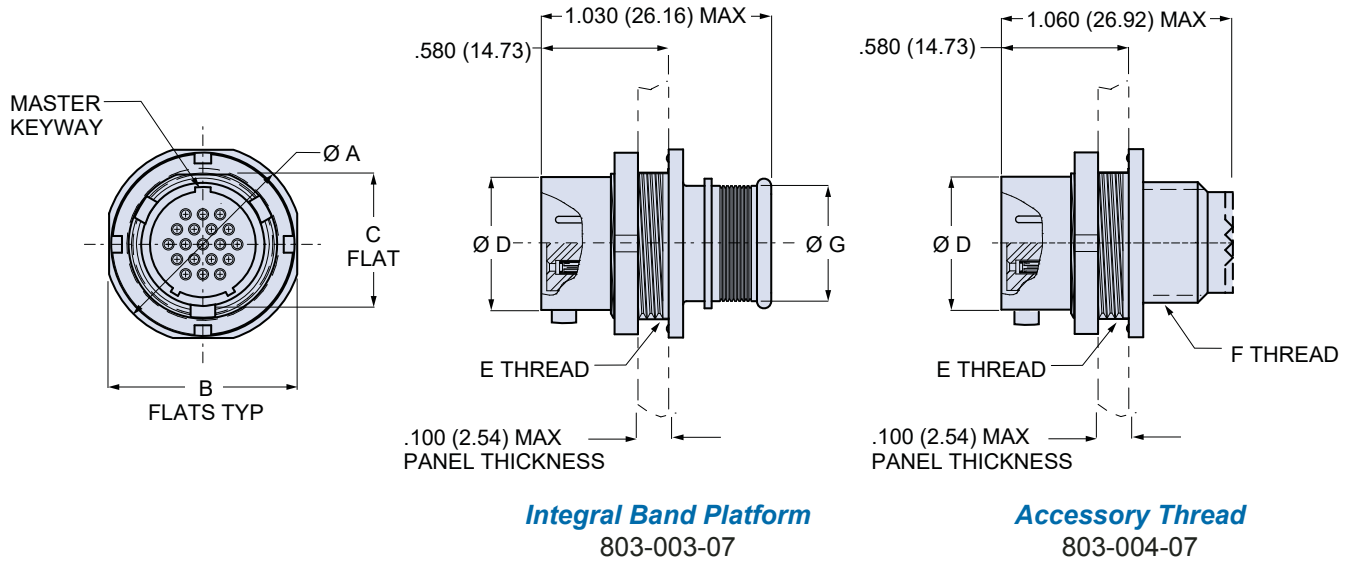
# Series 803 Mighty Mouse ¼ Turn Bayonet Coupling Receptacle with Crimp Removable Contacts

## 803-004-07 and 803-003-07 Dimensions



Series 803

### Jam-nut rear panel mount receptacle - shell style 07



Dimensions							
Shell Size	Ø A	B Flats	C Flat	Ø D	E Thread	F Thread	Ø G
5	.575 (14.60)	.545 (13.84)	.350 (8.89)	.300 (7.62)	.3750-32 UNEF-2A	.2500-32 UNEF-2A	.230 (5.84)
6	.635 (16.13)	.595 (15.11)	.410 (10.41)	.362 (9.19)	.4375-28 UNEF-2A	.3125-32 UNEF-2A	.286 (7.26)
7	.755 (19.18)	.723 (18.36)	.536 (13.61)	.436 (11.07)	.5625-32 UN-2A	.4375-28 UNEF-2A	.390 (9.91)
8	.755 (19.18)	.790 (20.07)	.593 (15.06)	.508 (12.90)	.6250-28 UN-2A	.5000-28 UNEF-2A	.440 (11.18)
9	.830 (21.08)	.790 (20.07)	.596 (15.14)	.561 (14.25)	.6250-28 UN-2A	.5625-24 UNEF-2A	.500 (12.70)
10	.890 (22.61)	.925 (23.50)	.721 (18.31)	.635 (16.13)	.7500-28 UN-2A	.6250-24 UNEF-2A	.562 (14.27)
12	1.078 (27.38)	1.044 (26.52)	.845 (21.46)	.714 (18.14)	.8750-28 UN-2A	.6875-24 UNEF-2A	.650 (16.51)
14	1.264 (32.11)	1.230 (31.24)	1.022 (25.96)	.865 (21.97)	1.0625-20 UN-2A	.9375-20 UNEF-2A	.805 (20.45)

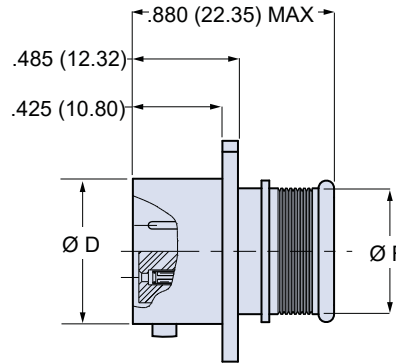
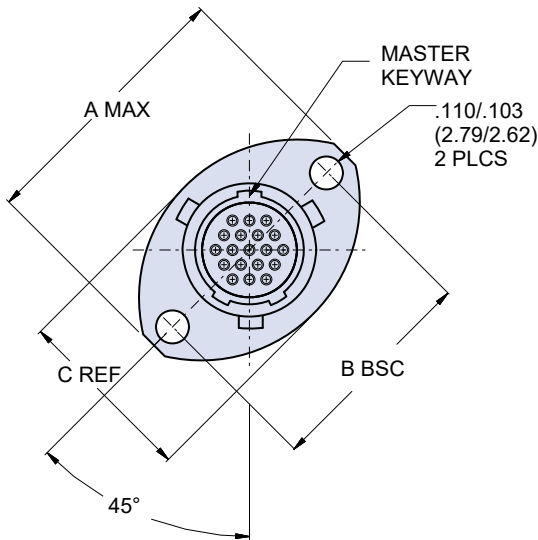
Jam-Nut Panel Cutout Dimensions			
Shell Size	A Flat	Ø B	
		± .002 (.05)	+ .005 (+ 0.13) - .000 (-.00)
5	.355 (9.02)	.380 (9.65)	
6	.415 (10.54)	.442 (11.23)	
7	.541 (13.74)	.577 (14.66) .567 (14.40)	
8	.601 (15.27)	.630 (16.00)	
9	.601 (15.27)	.630 (16.00)	
10	.729 (18.52)	.755 (19.18)	
12	.850 (21.59)	.880 (22.35)	
14	1.031 (26.19)	1.067 (27.10)	

#### Material and Finish

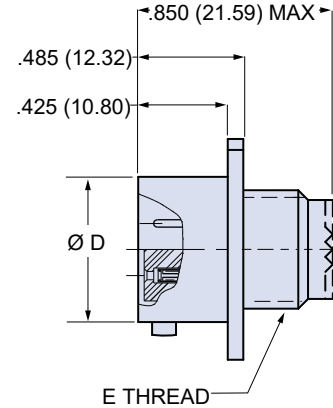
- Shell, jam-nut: Aluminum alloy or CRES / see how to order table
- Insulator: LCP or epoxy / N.A.
- Interfacial seal, grommet seal: fluorosilicone / N.A.
- Contact: copper alloy / gold plate per ASTM B 488, Type II, Class 1.25, over suitable underplate

Dimensions in Inches (millimeters) are subject to change without notice.

### Flange mount front or rear panel mount receptacle - shell style 02



**Integral Band Platform**  
803-003-02



**Accessory Thread**  
803-004-02

#### Dimensions

Shell Size	A Max.	B Bsc.	C Ref.	Ø D	E Thread	Ø F
5	.703 (17.86)	.513 (13.03)	.460 (11.68)	.300 (7.62)	.2500-32 UNEF-2A	.230 (5.84)
6	.788 (20.02)	.598 (15.19)	.522 (13.26)	.362 (9.19)	.3125-32 UNEF-2A	.286 (7.26)
7	.890 (22.61)	.708 (17.98)	.590 (14.99)	.436 (11.07)	.4375-28 UNEF-2A	.390 (9.91)
8	1.154 (29.31)	.964 (24.49)	.668 (16.97)	.508 (12.90)	.5000-28 UNEF-2A	.440 (11.18)
9	1.207 (30.66)	1.017 (25.83)	.721 (18.31)	.561 (14.25)	.5625-24 UNEF-2A	.500 (12.70)
10	1.291 (32.79)	1.101 (27.97)	.795 (20.19)	.635 (16.13)	.6250-24 UNEF-2A	.562 (14.27)
12	1.394 (35.41)	1.204 (30.58)	.874 (22.20)	.714 (18.14)	.6875-24 UNEF-2A	.650 (16.51)
14	1.545 (39.24)	1.280 (32.51)	1.050 (26.67)	.865 (21.97)	.9375-20 UNEF-2A	.805 (20.45)

#### Flange Mount Panel Cutout Dimensions

Shell Size	A	Ø B
5	.513 (13.03)	.382 (9.70)
6	.598 (15.19)	.445 (11.30)
7	.708 (17.98)	.520 (13.21)
8	.964 (24.49)	.592 (15.04)
9	1.017 (25.83)	.645 (16.38)
10	1.101 (27.97)	.726 (18.44)
12	1.204 (30.58)	.832 (21.13)
14	1.280 (32.51)	.950 (24.13)

#### Material and Finish

- Shell: Aluminum alloy or CRES / see how to order table
- Insulator: LCP or epoxy / N.A.
- Interfacial seal, grommet seal: fluorosilicone / N.A.
- Contact: copper alloy / gold plate per ASTM B 488, Type II, Class 1.25, over suitable underplate

Dimensions in Inches (millimeters) are subject to change without notice.

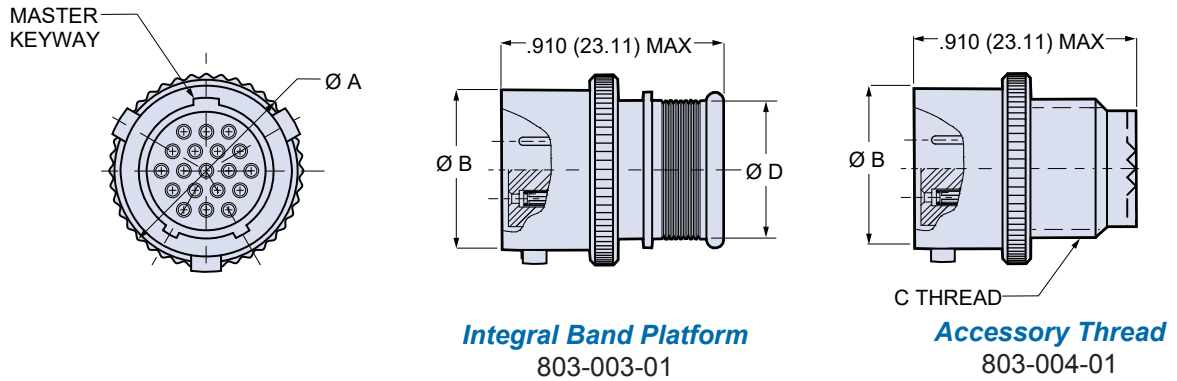
# Series 803 Mighty Mouse, ¼ Turn Bayonet Coupling Receptacle with Crimp Removable Contacts

803-004-01 and 803-003-01 Dimensions



Series 803

## In-line cable receptacle - shell style 01



Dimensions				
Shell Size	Ø A Max.	Ø B	C Thread	Ø D
5	.402 (10.21)	.300 (7.62)	.2500-32 UNEF-2A	.230 (5.84)
6	.465 (11.81)	.362 (9.19)	.3125-32 UNEF-2A	.286 (7.26)
7	.500 (12.70)	.436 (11.07)	.4375-28 UNEF-2A	.390 (9.91)
8	.570 (14.48)	.508 (12.90)	.5000-28 UNEF-2A	.440 (11.18)
9	.652 (16.56)	.561 (14.25)	.5625-24 UNEF-2A	.500 (12.70)
10	.715 (18.16)	.635 (16.13)	.6250-24 UNEF-2A	.562 (14.27)
12	.805 (20.45)	.714 (18.14)	.6875-24 UNEF-2A	.650 (16.51)
14	.915 (23.24)	.865 (21.97)	.9375-20 UNEF-2A	.805 (20.45)

### Material and Finish

- Shell: Aluminum alloy or CRES / see how to order table
- Insulator: LCP or epoxy / N.A.
- Interfacial seal, grommet seal: fluorosilicone / N.A.
- Contact: copper alloy / gold plate per ASTM B 488, Type II, Class 1.25, over suitable underplate

Dimensions in Inches (millimeters) are subject to change without notice.



## X-ON Electronics

Largest Supplier of Electrical and Electronic Components

*Click to view similar products for [Circular MIL Spec Connector](#) category:*

*Click to view products by [Glenair](#) manufacturer:*

Other Similar products are found below :

[89075GULPR](#) [0025-262-542](#) [0025-264-3014](#) [58-570121-04S](#) [0134-213-1208](#) [0134-213-2209](#) [0025-258-000](#) [60-042022-07P](#) [60-042022-19P](#)  
[60-042022-23P](#) [60-042217-10P](#) [0114-201-1278](#) [012-0467-000](#) [602GB06EG24-61SN](#) [0134-201-1207](#) [0134-213-1006](#) [6104-207-2302](#) [6104-](#)  
[208-1902](#) [61-168211-04P](#) [61-168617-10P](#) [6131-202-19149P](#) [6131-204-21149P](#) [6131-208-13149P](#) [6131-209-17149P](#) [6131-210-11149P](#) [6131-](#)  
[211-19149P](#) [6131-216-19149P](#) [6131-259-21149P](#) [6131-259-23149P](#) [6131-265-17149P](#) [6131-265-19149P](#) [CS3100A18-1P-472](#) [CS3100A-36-](#)  
[77P](#) [CS3101A-16-55P](#) [CS3102A-10SL-55P](#) [CS3102A-14S-58P](#) [CS3102A-32-17P](#) [CS3102A32-25S](#) [CS3102C18-4P-472](#)  
[CS3106A10SL3S004](#) [CS3106A-18-73S](#) [CS3108A-14S-52S](#) [CS3108A-28-51S](#) [6162-233-1277](#) [6162-324-1231](#) [M243082296Z](#)  
[M2884010AC1S1](#) [CT0-24-10SC](#) [CT0M20-7PCAU](#) [M28840/17AC1G3](#)