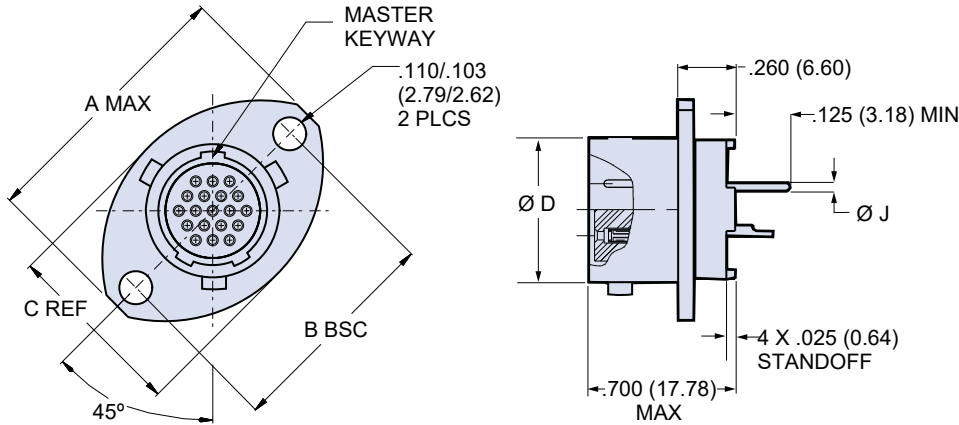


Series 803 Mighty Mouse, ¼ Turn Bayonet Coupling PC Tail and Solder Cup Receptacle 803-005 and 803-015 Dimensions



Series 803

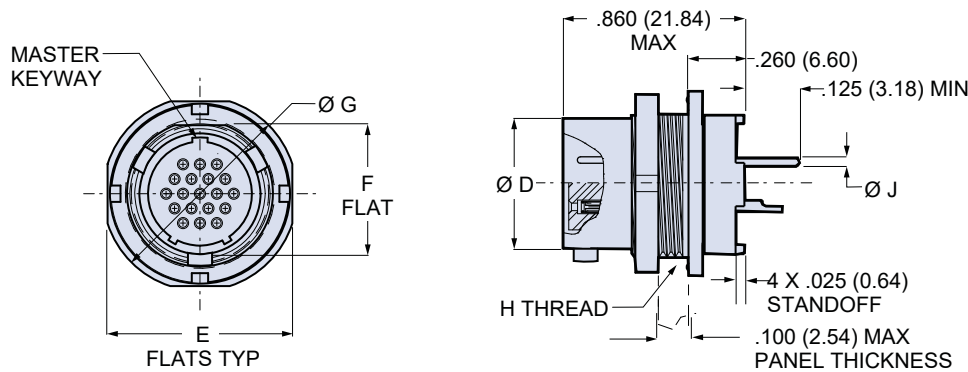
Flange mount, front or rear panel mount receptacle - shell style 02



Material and Finish

- Shell: Aluminum alloy or CRES / see how to order table
- Insulator: LCP or epoxy / N.A.
- Interfacial seal, grommet seal: fluorosilicone / N.A.
- Contact: copper alloy / gold plate per ASTM B 488, Type II, Class 1.25, over suitable underplate

Jam-nut, rear panel mount receptacle - shell style 01



Material and Finish

- Shell: Aluminum alloy or CRES / see how to order table
- Insulator: LCP or epoxy / N.A.
- Interfacial seal, grommet seal: fluorosilicone / N.A.
- Contact: copper alloy / gold plate per ASTM B 488, Type II, Class 1.25, over suitable underplate

Dimensions									
Shell Size	A Max.	B Bsc.	C Ref.	Ø D	E Flats	F Flat	Ø G	H Thread	Ø J Tail Dia.
5	.703 (17.86)	.513 (13.03)	.460 (11.68)	.300 (7.62)	.545 (13.84)	.350 (8.89)	.575 (14.60)	.3750-32 UNEF-2A	#23 .018/.022 (0.46/0.56)
6	.788 (20.02)	.598 (15.19)	.522 (13.26)	.362 (9.19)	.595 (15.11)	.410 (10.41)	.635 (16.13)	.4375-28 UNEF-2A	#20 .024/.028 (0.61/0.71)
7	.890 (22.61)	.708 (17.98)	.590 (14.99)	.436 (11.07)	.723 (18.36)	.536 (13.61)	.755 (19.18)	.5625-32 UN-2A	#16 .060/.064 (1.52/1.63)
8	1.154 (29.31)	.964 (24.49)	.668 (16.97)	.508 (12.90)	.790 (20.07)	.593 (15.06)	.755 (19.18)	.6250-28 UN-2A	#12 .092/.096 (2.34/2.44)
9	1.207 (30.66)	1.017 (25.83)	.721 (18.31)	.561 (14.25)	.790 (20.07)	.596 (15.14)	.830 (21.08)	.6250-28 UN-2A	
10	1.291 (32.79)	1.101 (27.97)	.795 (20.19)	.635 (16.13)	.925 (23.50)	.721 (18.31)	.890 (22.61)	.7500-28 UN-2A	
12	1.394 (35.41)	1.204 (30.58)	.874 (22.20)	.714 (18.14)	1.044 (26.52)	.845 (21.46)	1.078 (27.38)	.8750-28 UN-2A	
14	1.545 (39.24)	1.280 (32.51)	1.050 (26.67)	.865 (21.97)	1.230 (31.24)	1.022 (25.96)	1.264 (32.11)	1.0625-20 UN-2A	

Dimensions in Inches (millimeters) are subject to change without notice.

NOTES

1. Contacts are size 23, non removable, and connector is back-potted
2. For additional insert arrangements consult factory
3. Connector mates with all bayonet plug connectors with same polarization and opposite contact gender

X-ON Electronics

Largest Supplier of Electrical and Electronic Components

Click to view similar products for [Circular MIL Spec Connector](#) category:

Click to view products by [Glenair](#) manufacturer:

Other Similar products are found below :

[89075GULPR](#) [0025-262-542](#) [0025-264-3014](#) [58-570121-04S](#) [0134-213-1208](#) [0134-213-2209](#) [0025-258-000](#) [60-042022-07P](#) [60-042022-19P](#)
[60-042022-23P](#) [60-042217-10P](#) [0114-201-1278](#) [012-0467-000](#) [602GB06EG24-61SN](#) [0134-201-1207](#) [0134-213-1006](#) [6104-207-2302](#) [6104-](#)
[208-1902](#) [61-168211-04P](#) [61-168617-10P](#) [6131-202-19149P](#) [6131-204-21149P](#) [6131-208-13149P](#) [6131-209-17149P](#) [6131-210-11149P](#) [6131-](#)
[211-19149P](#) [6131-216-19149P](#) [6131-259-21149P](#) [6131-259-23149P](#) [6131-265-17149P](#) [6131-265-19149P](#) [CS3100A18-1P-472](#) [CS3100A-36-](#)
[77P](#) [CS3101A-16-55P](#) [CS3102A-10SL-55P](#) [CS3102A-14S-58P](#) [CS3102A-32-17P](#) [CS3102A32-25S](#) [CS3102C18-4P-472](#)
[CS3106A10SL3S004](#) [CS3106A-18-73S](#) [CS3108A-14S-52S](#) [CS3108A-28-51S](#) [6162-233-1277](#) [6162-324-1231](#) [M243082296Z](#)
[M2884010AC1S1](#) [CT0-24-10SC](#) [CT0M20-7PCAU](#) [M28840/17AC1G3](#)