



Series 803 Mighty Mouse, 1/4 Turn Bayonet Coupling PC Tail and Solder Cup Receptacle 803-005 and 803-015 Ordering Information



Environmental, PCB Receptacle 803-005 connectors feature low profile shells for minimum protrusion inside enclosures and integral board standoffs. Contacts are non-removable. Specify 800-015 connectors for applications where open face water immersion is not a requirement.

Water Tight PCB Receptacle 803-015 connectors are identical to 800-005 but are specially sealed ("MOD-518") and 100% tested to maintain a helium leak rate of less than 1×10^{-4} cc/second at one atmosphere pressure differential. Connectors meet MIL-STD-810 Method 512G immersion requirements in unmated/open face condition.

How To Order	
Sample Part Number	803-005 -02 ZNU 6-7 S N
Series	<p>803-005 = Receptacle, Solder Cup or PCB Contacts</p> <p>803-015 = Receptacle, Solder Cup or PCB Contacts; Watertight</p>
Shell Style (See Table I)	-02 = Flange Mount -07 = Jam-Nut
Shell Material and Finish	<p>C = Aluminum / Black Anodize (Non-Conductive); RoHS Compliant</p> <p>M = Aluminum / Electroless Nickel; RoHS Compliant</p> <p>MT = Aluminum / Nickel-PTFE RoHS Compliant</p> <p>NF = Aluminum / Cadmium with Olive Drab Chromate</p> <p>ZNU = Aluminum / Zinc-Nickel with Black Chromate</p> <p>Z1 = Stainless Steel / Passivated; RoHS Compliant</p>
Shell Size - Insert Arrangement	See Contact Arrangements Page F-2
Contact Type	<p>P = Pin, PC Tail E = Pin, Solder Cup</p> <p>S = Socket, PC Tail F = Socket, Solder Cup</p>
Polarization (See Table II)	N = Normal X = Pos. X Y = Pos. y Z = Pos. Z

Table I: Shell Style
-02 Flange Mount
-07 Jam-Nut

Table II: Keyway Polarization		
Pos.	A°	B°
N	150°	210°
X	75°	210°
Y	95°	230°
Z	140°	275°

Panel Cut-Out Dimensions				
Shell Size	Ø M	N Bsc.	H Flat ± .002 (.05)	Ø J +.005 (+0.13) -.000 (-.00)
5	.382 (9.70)	.513 (13.03)	.353 (8.97)	.380 (9.65)
6	.445 (11.30)	.598 (15.19)	.415 (10.54)	.442 (11.23)
7	.520 (13.21)	.708 (17.98)	.541 (13.74)	.577 (14.66) .567 (14.40)
8	.592 (15.04)	.964 (24.49)	.601 (15.27)	.630 (16.00)
9	.645 (16.38)	1.017 (25.83)	.601 (15.27)	.630 (16.00)
10	.726 (18.44)	1.101 (27.97)	.729 (18.52)	.755 (19.18)
12	.832 (21.13)	1.204 (30.58)	.850 (21.59)	.880 (22.35)
14	.950 (24.13)	1.280 (32.51)	1.031 (26.19)	1.067 (27.10)

**Shell Style -02
Flange Mount**

**Shell Style -07
Jam-Nut**

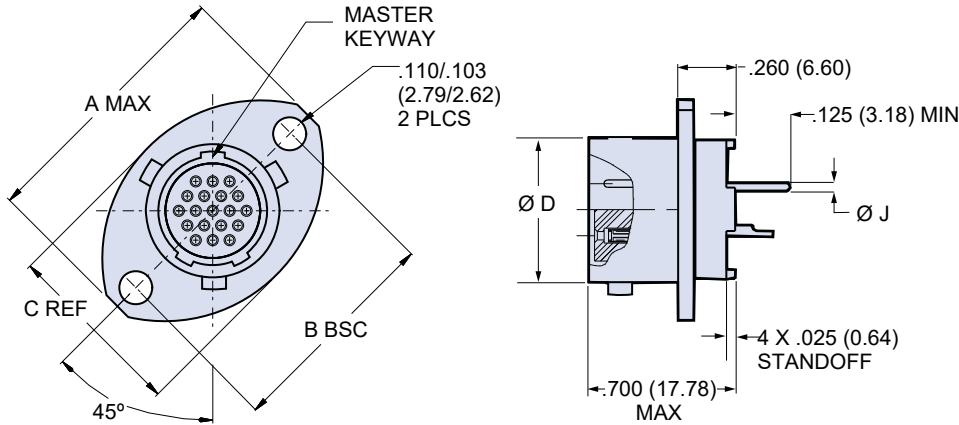
Dimensions in Inches (millimeters) are subject to change without notice.

Series 803 Mighty Mouse, ¼ Turn Bayonet Coupling PC Tail and Solder Cup Receptacle 803-005 and 803-015 Dimensions



Series 803

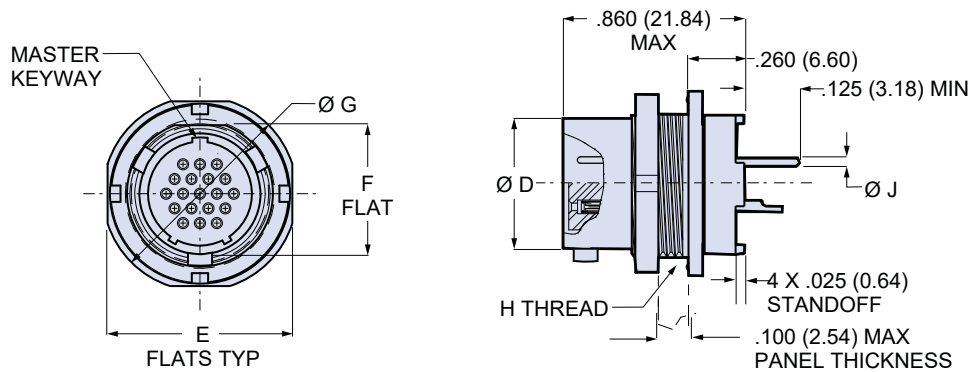
Flange mount, front or rear panel mount receptacle - shell style 02



Material and Finish

- Shell: Aluminum alloy or CRES / see how to order table
- Insulator: LCP or epoxy / N.A.
- Interfacial seal, grommet seal: fluorosilicone / N.A.
- Contact: copper alloy / gold plate per ASTM B 488, Type II, Class 1.25, over suitable underplate

Jam-nut, rear panel mount receptacle - shell style 01



Material and Finish

- Shell: Aluminum alloy or CRES / see how to order table
- Insulator: LCP or epoxy / N.A.
- Interfacial seal, grommet seal: fluorosilicone / N.A.
- Contact: copper alloy / gold plate per ASTM B 488, Type II, Class 1.25, over suitable underplate

Dimensions									
Shell Size	A Max.	B Bsc.	C Ref.	Ø D	E Flats	F Flat	Ø G	H Thread	Ø J Tail Dia.
5	.703 (17.86)	.513 (13.03)	.460 (11.68)	.300 (7.62)	.545 (13.84)	.350 (8.89)	.575 (14.60)	.3750-32 UNEF-2A	#23
6	.788 (20.02)	.598 (15.19)	.522 (13.26)	.362 (9.19)	.595 (15.11)	.410 (10.41)	.635 (16.13)	.4375-28 UNEF-2A	.018/.022 (0.46/0.56)
7	.890 (22.61)	.708 (17.98)	.590 (14.99)	.436 (11.07)	.723 (18.36)	.536 (13.61)	.755 (19.18)	.5625-32 UN-2A	#20
8	1.154 (29.31)	.964 (24.49)	.668 (16.97)	.508 (12.90)	.790 (20.07)	.593 (15.06)	.755 (19.18)	.6250-28 UN-2A	.024/.028 (0.61/0.71)
9	1.207 (30.66)	1.017 (25.83)	.721 (18.31)	.561 (14.25)	.790 (20.07)	.596 (15.14)	.830 (21.08)	.6250-28 UN-2A	#16
10	1.291 (32.79)	1.101 (27.97)	.795 (20.19)	.635 (16.13)	.925 (23.50)	.721 (18.31)	.890 (22.61)	.7500-28 UN-2A	.060/.064 (1.52/1.63)
12	1.394 (35.41)	1.204 (30.58)	.874 (22.20)	.714 (18.14)	1.044 (26.52)	.845 (21.46)	1.078 (27.38)	.8750-28 UN-2A	#12
14	1.545 (39.24)	1.280 (32.51)	1.050 (26.67)	.865 (21.97)	1.230 (31.24)	1.022 (25.96)	1.264 (32.11)	1.0625-20 UN-2A	.092/.096 (2.34/2.44)

Dimensions in Inches (millimeters) are subject to change without notice.

NOTES

1. Contacts are size 23, non removable, and connector is back-potted
2. For additional insert arrangements consult factory
3. Connector mates with all bayonet plug connectors with same polarization and opposite contact gender



X-ON Electronics

Largest Supplier of Electrical and Electronic Components

Click to view similar products for [Circular MIL Spec Connector](#) category:

Click to view products by [Glenair](#) manufacturer:

Other Similar products are found below :

[89075GULPR](#) [0025-262-542](#) [0025-264-3014](#) [58-570121-04S](#) [0134-213-1208](#) [0134-213-2209](#) [0025-258-000](#) [60-042022-07P](#) [60-042022-19P](#)
[60-042022-23P](#) [60-042217-10P](#) [0114-201-1278](#) [012-0467-000](#) [602GB06EG24-61SN](#) [0134-201-1207](#) [0134-213-1006](#) [6104-207-2302](#) [6104-](#)
[208-1902](#) [61-168211-04P](#) [61-168617-10P](#) [6131-202-19149P](#) [6131-204-21149P](#) [6131-208-13149P](#) [6131-209-17149P](#) [6131-210-11149P](#) [6131-](#)
[211-19149P](#) [6131-216-19149P](#) [6131-259-21149P](#) [6131-259-23149P](#) [6131-265-17149P](#) [6131-265-19149P](#) [CS3100A18-1P-472](#) [CS3100A-36-](#)
[77P](#) [CS3101A-16-55P](#) [CS3102A-10SL-55P](#) [CS3102A-14S-58P](#) [CS3102A-32-17P](#) [CS3102A32-25S](#) [CS3102C18-4P-472](#)
[CS3106A10SL3S004](#) [CS3106A-18-73S](#) [CS3108A-14S-52S](#) [CS3108A-28-51S](#) [6162-233-1277](#) [6162-324-1231](#) [M243082296Z](#)
[M2884010AC1S1](#) [CT0-24-10SC](#) [CT0M20-7PCAU](#) [M28840/17AC1G3](#)