

# Series 803 "Mighty Mouse" 1/4 Turn Bayonet Coupling



## Series 803 Receptacles With PCB or Solder Cup Contacts



**Series 803 Printed  
Circuit Board Receptacle**


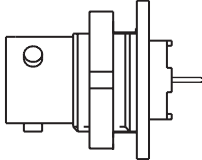
**Series 803 Receptacles** feature a low profile shell for minimum protrusion inside enclosures. Contacts are factory-installed and are non-removable. Connectors are backfilled with rigid epoxy for a watertight seal.

**Series 803 Bayonet Receptacles** are available in two shell styles: jam nut for rear panel mounting, or elliptical flange mount.

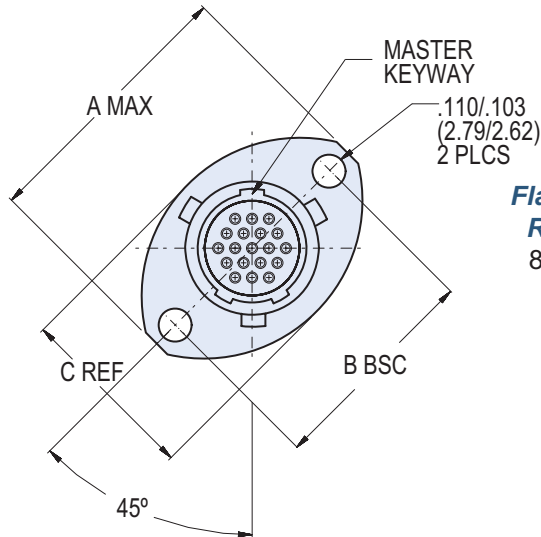
**PCB Contacts** feature gold-plated tails for solder termination to rigid or flexible circuits.

**Solder Cup Contacts** are non-removable and are sealed with rigid epoxy. Maximum wire gage is #22.

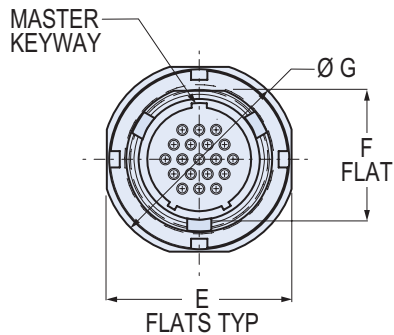
### HOW TO ORDER SERIES 801 PRINTED CIRCUIT BOARD RECEPTACLES

Sample Part Number					
803-005	-07	ZN	6-7	S	N
Series	Shell Style	Shell Material / Finish	Shell Size- Insert Arrangement	Contact Type	Shell Key Position
<b>803-005</b> Receptacle with Solder Cup Contacts or PC Tails	<b>-02</b> Flange Mount 	<b>C</b> Aluminum / Black Anodize	<b>5-3</b> 3 #23 <b>6-1</b> 1 #16	<b>P</b> Pin, PC Tail	<b>N</b> Normal Alternative Key Positions:
		<b>M</b> Aluminum / Electroless Nickel	<b>6-4</b> 4 #23 <b>6-7</b> 7 #23		
		<b>NF</b> Aluminum / Cadmium with Olive Drab Chromate	<b>7-1</b> 1 #12		
		<b>ZN</b> Aluminum / Zinc-Nickel with Olive Drab Chromate	<b>7-10</b> 10 #23 <b>8-13</b> 13 #23		
		<b>ZN</b> Aluminum / Zinc-Nickel with Olive Drab Chromate	<b>9-4</b> 4 #16 <b>9-19</b> 19 #23		
		<b>ZNU</b> Aluminum / Zinc-Nickel with Black Chromate	<b>10-26</b> 26 #23		
	<b>-07</b> Jam Nut 	<b>Z1</b> Stainless Steel	<b>12-2</b> 2 #12 <b>12-37</b> 37 #23 <b>14-55</b> 55 #23 <b>15-85</b> 85 #23	<b>S</b> Socket, PC Tail	<b>X</b> <b>Y</b> <b>Z</b>
			<b>E</b> Pin, Solder Cup		
			<b>F</b> Socket, Solder Cup		

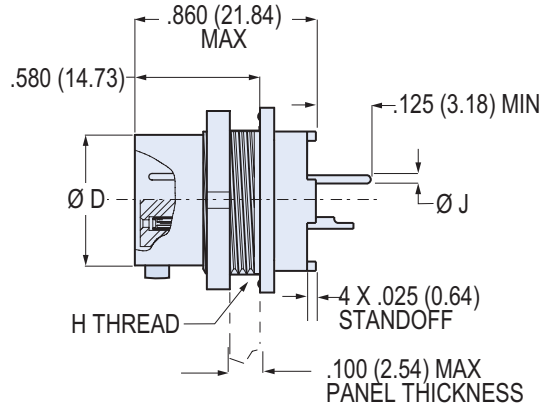
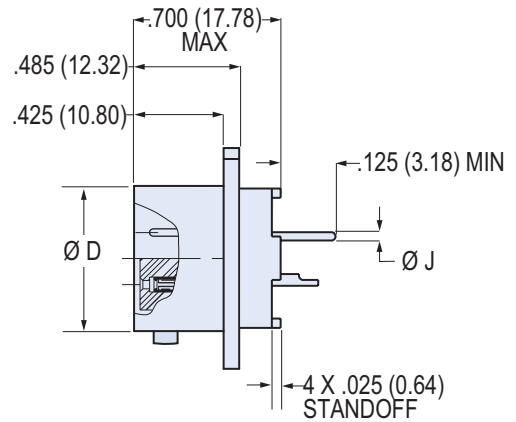
Series 803 Receptacles With PCB or Solder Cup Contacts



Flange Mount Receptacle  
803-005-02



Jam Nut Receptacle  
803-005-07



DIMENSIONS

Shell Size	A Max.		B Bsc.		C Ref.		Ø D		E Flats		F Flat		Ø G		H Thread	Ø J Tail Dia.
	In.	mm.	In.	mm.	In.	mm.	In.	mm.	In.	mm.	In.	mm.	In.	mm.		
5	.703	17.86	.513	13.03	.460	11.68	.300	7.62	.545	13.84	.350	8.89	.575	14.61	.3750-32 UNEF-2A	#23
6	.788	20.02	.598	15.19	.522	13.26	.362	9.19	.595	15.11	.410	10.42	.635	16.13	.4375-28 UNEF-2A	.018/.022 (0.46/0.56)
7	.890	22.61	.708	17.98	.590	14.99	.436	11.07	.723	18.36	.536	13.61	.755	19.18	.5625-32 UN-2A	
8	1.154	29.31	.964	24.49	.668	16.97	.508	12.91	.723	18.36	.536	13.61	.755	19.18	.5625-32 UN-2A	#16
9	1.207	30.66	1.017	25.83	.721	18.31	.561	14.25	.790	20.07	.596	15.14	.830	21.08	.6250-28 UN-2A	.060/.064 (1.52/1.63)
10	1.291	32.79	1.101	27.97	.795	20.19	.635	16.13	.855	21.72	.656	16.66	.890	22.61	.6875-28 UN-2A	
12	1.394	35.41	1.204	30.58	.874	22.20	.714	18.14	1.044	26.52	.845	21.46	1.078	27.38	.8750-28 UN-2A	#12
14	1.545	39.24	1.280	32.51	1.050	26.67	.865	21.97	1.230	31.24	1.022	25.96	1.264	32.11	1.0625-20 UN-2A	.092/.096 (2.34/2.44)
15	1.630	41.40	1.370	34.80	1.150	29.21	.925	23.50	1.290	32.77	1.096	27.84	1.325	33.66	1.1250-28 UN-2A	

## X-ON Electronics

Largest Supplier of Electrical and Electronic Components

*Click to view similar products for [Circular MIL Spec Connector](#) category:*

*Click to view products by [Glenair](#) manufacturer:*

Other Similar products are found below :

[0025-262-542](#) [0025-264-3014](#) [58-570121-04S](#) [0134-202-1200](#) [0134-207-1206](#) [0134-207-1800](#) [0134-207-2207](#) [0134-213-0806](#) [0134-213-1007](#) [0134-213-1009](#) [0134-213-1208](#) [0134-213-1800](#) [0134-213-2209](#) [0025-258-000](#) [015-9516-002](#) [60-042722-19P](#) [0114-201-1278](#) [602GB06EG24-61SN](#) [0134-201-1207](#) [0134-201-1806](#) [0134-201-2006](#) [0134-201-2007](#) [0134-201-2010](#) [0134-202-1400](#) [0134-207-0809](#) [0134-207-1208](#) [0134-207-2009](#) [0134-213-1006](#) [6104-207-2302](#) [6104-208-1902](#) [6131-202-19149P](#) [6131-204-21149P](#) [6131-207-13149P](#) [6131-208-13149P](#) [6131-209-17149P](#) [6131-210-11149P](#) [6131-211-19149P](#) [6131-216-19149P](#) [6131-220-25149P](#) [6131-259-11149P](#) [6131-259-21149P](#) [6131-259-23149P](#) [6131-263-19149P](#) [6131-265-17149P](#) [6131-265-19149P](#) [CS3102A-20-15P](#) [CS3102A-20-15S](#) [CS3102C18-4P-472](#) [CS3106A-20-29P](#) [CS3106A-20-74P](#)