

804-030

**Series 804 Push-Pull High Speed Mighty Mouse**  
**Jam-Nut Mount #23 PCB or Solder Cup Receptacle**  
**Crimp Rear Release • Ordering Information**



High Speed  
Mighty Mouse

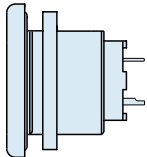
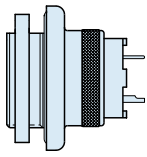
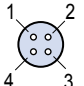
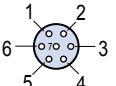
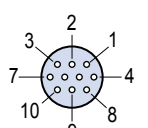
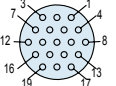
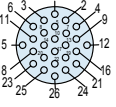


**Series 804 Printed  
Circuit Board Receptacle**

**Panel Mount Receptacles** feature factory-installed non-removable contacts. Choose solder cup or printed circuit board terminals. Available in front or rear panel mount versions.

**Water Immersion, Unmated**

Specify **8040-005** connectors for applications where open face water immersion is not a requirement. For MIL-STD-810 Method 512G immersion requirements, specify **804-020** watertight connectors. These 804-020 connectors are specially sealed ("MOD-518") and are 100% tested to maintain a helium leak rate of  $1 \times 10^{-4}$  cc/second at one atmosphere pressure differential from -40C to +70C.

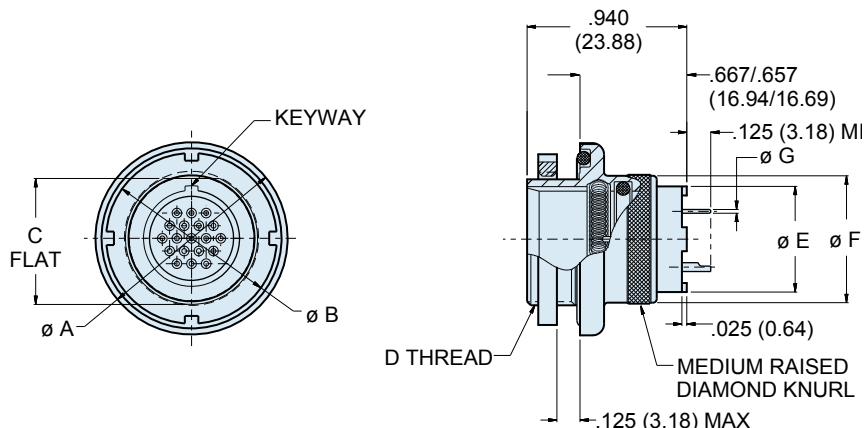
HOW TO ORDER					
Sample Part Number					
804-030	-07	M	6-4	P	N
Series	Shell Style	Shell Material / Finish	Shell Size- Insert Arrangement	Contact Style	Shell Key Position
<p><b>804-005</b> Receptacle for Solder Cup or PCB Termination, With Standard Epoxy Potting</p> <p><b>804-020</b> Receptacle for Solder Cup or PCB Termination, With Special "MOD-518" Sealing For Open Face (unmated) Water Immersion Requirements. 100% Leak Tested.</p>	 <p><b>-00</b> Jam Nut, Front Panel</p>  <p><b>-07</b> Jam Nut, Rear Panel</p>	<p><b>C</b> Aluminum / Black Anodize (Non-Conductive) RoHS Compliant</p> <p><b>M</b> Aluminum / Electroless Nickel RoHS Compliant</p> <p><b>NF</b> Aluminum / Olive Drab Cadmium over Electroless Nickel Finish</p> <p><b>ZN</b> Aluminum / Zinc-Nickel over Electroless Nickel</p> <p><b>ZNU</b> Aluminum / Zinc-Nickel Black over Electroless Nickel</p> <p><b>Z1</b> Stainless Steel / Passivate RoHS Compliant</p> <p><b>ZB</b> Stainless Steel / Olive Drab Chromate over Cadmium</p> <p><b>ZC</b> Stainless Steel / Zinc Cobalt Alloy / Black Chromate</p>	 <p><b>6 - 4</b></p>  <p><b>6 - 7</b></p>  <p><b>7 - 10</b></p>  <p><b>9 - 19</b></p>  <p><b>10-26</b></p>	<p><b>Connector supplied with contacts</b></p> <p><b>P</b> Pin, PC Tail</p> <p><b>S</b> Socket, PC Tail</p> <p><b>E</b> Pin, Solder Cupl</p> <p><b>F</b> Socket, Solder Cup</p>	<p><b>Omit</b> for Single Master Key</p> <p><b>A</b> Pos. A (Normal)</p> <p><b>B</b> Pos. B</p> <p><b>C</b> Pos. C</p> <p><b>D</b> Pos. D</p> <p><b>E</b> Pos. E</p> <p><b>F</b> Pos. F</p>

Dimensions in Inches (millimeters) are subject to change without notice.



804-030-07

Series 804 Push-Pull High Speed Mighty Mouse  
Rear Mount Jam-Nut #23 PCB or Solder Cup Receptacle  
Rear Mount Crimp Rear Release • Ordering Information



Rear Panel Jam Nut  
804-030-07

DIMENSIONS

Shell Size	$\phi A$		$\phi B$		C Flat		D Threads	$\phi E$		$\phi F$		$\phi F$ Tail Dia. (.46/.56)
	In.	mm.	In.	mm.	In.	mm.		In.	mm.	In.	mm.	
6	.730	18.54	.625	15.87	.467	14.40	.5000-32 UN-2A	.330	8.38	.483	12.27	
7	.910	23.11	.750	19.05	.594	15.09	.6250-28 UN-2A	.432	10.97	.570	14.48	
9	1.000	25.40	.812	20.62	.655	16.64	.6875-28 UN-2A	.551	14.00	.685	17.40	
10	1.085	27.48	.875	22.22	.721	18.31	.7500-28 UN-2A	.620	15.75	.725	18.42	

ALTERNATE KEY POSITIONS

Pos.	A°	B°
A	150°	210°
B	75°	210°
C	95°	230°
D	140°	275°
E	75°	275°
F	95°	210°

REAR MOUNT JAM NUT PANEL CUTOUT

Shell Size	M Flat		$\phi N$	
	In.	mm.	In. $\pm .005$	mm. $\pm 0.13$
6	.479 .475	12.17 12.07	.510	12.95
7	.606 .602	15.39 15.29	.635	16.13
9	.667 .663	16.94 16.84	.698	17.73
10	.734 .729	18.64 18.52	.760	19.30

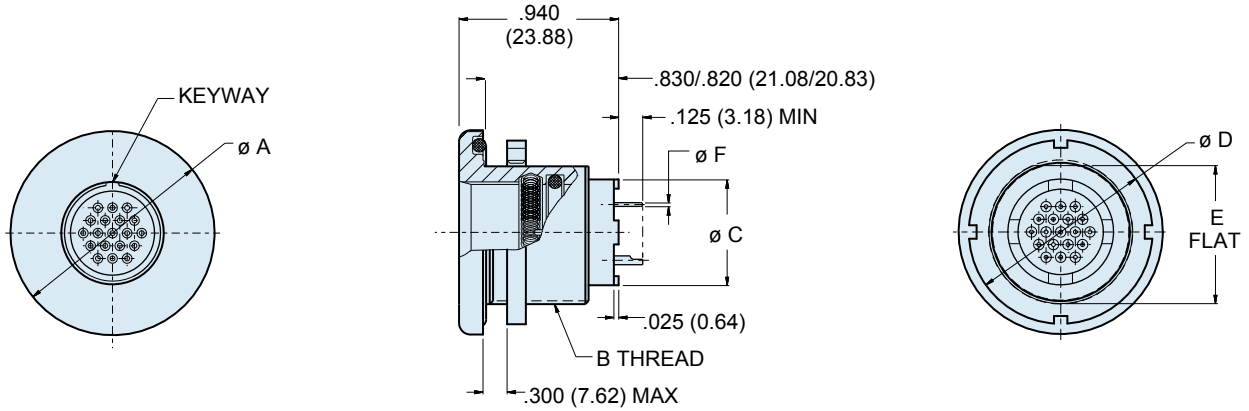
Dimensions in Inches (millimeters) are subject to change without notice.

804-030-00

Series 804 Push-Pull High Speed Mighty Mouse  
Front Mount Jam-Nut #23 PCB or Solder Cup Receptacle  
Crimp Rear Release • Ordering Information



High Speed  
Mighty Mouse



Front Panel Jam Nut  
804-030-00

DIMENSIONS										
Shell Size	Ø A		B Threads	Ø C		Ø D		E Flat		Ø F Tail Dia.
	In.	mm.		In.	mm.	In.	mm.	In.	mm.	
6	.885	22.48	.5625-28 UN-2A	.330	8.38	.688	17.47	.530	13.46	.018/.022 (.46/.56)
7	.995	25.27	.6875-28 UN-2A	.432	10.97	.812	20.62	.663	16.84	
9	1.075	27.31	.7500-28 UN-2A	.551	14.00	.875	22.22	.720	18.29	
10	1.140	28.95	.8125-28 UN-2A	.620	15.75	.938	23.82	.788	20.02	

ALTERNATE KEY POSITIONS			
	Pos.	A°	B°
	A	150°	210°
	B	75°	210°
	C	95°	230°
	D	140°	275°
	E	75°	275°
	F	95°	210°

FRONT MOUNT JAM NUT PANEL CUTOUT					
Shell Size	P Flat		Ø R		
	In. ± .002	mm. ± 0.05	In. ± .005	mm. ± 0.13	
6	.542	13.77	.575	14.61	
	.538	13.67			
7	.676	17.17	.698	17.73	
	.671	17.04			
9	.732	18.59	.760	19.30	
	.728	18.49			
10	.801	20.35	.822	20.88	
	.796	20.22			

Dimensions in Inches (millimeters) are subject to change without notice.

## X-ON Electronics

Largest Supplier of Electrical and Electronic Components

*Click to view similar products for [Circular MIL Spec Connector](#) category:*

*Click to view products by [Glenair](#) manufacturer:*

Other Similar products are found below :

[0025-262-542](#) [0025-264-3014](#) [58-570121-04S](#) [0134-202-1200](#) [0134-207-1206](#) [0134-207-1800](#) [0134-207-2207](#) [0134-213-0806](#) [0134-213-1007](#) [0134-213-1009](#) [0134-213-1208](#) [0134-213-1800](#) [0134-213-2209](#) [0025-258-000](#) [015-9516-002](#) [60-042722-19P](#) [0114-201-1278](#) [602GB06EG24-61SN](#) [0134-201-1207](#) [0134-201-1806](#) [0134-201-2006](#) [0134-201-2007](#) [0134-201-2010](#) [0134-202-1400](#) [0134-207-0809](#) [0134-207-1208](#) [0134-207-2009](#) [0134-213-1006](#) [6104-207-2302](#) [6104-208-1902](#) [6131-202-19149P](#) [6131-204-21149P](#) [6131-207-13149P](#) [6131-208-13149P](#) [6131-209-17149P](#) [6131-210-11149P](#) [6131-211-19149P](#) [6131-216-19149P](#) [6131-220-25149P](#) [6131-259-11149P](#) [6131-259-21149P](#) [6131-259-23149P](#) [6131-263-19149P](#) [6131-265-17149P](#) [6131-265-19149P](#) [CS3102A-20-15P](#) [CS3102A-20-15S](#) [CS3102C18-4P-472](#) [CS3106A-20-29P](#) [CS3106A-20-74P](#)