



## Series 804 Push-Pull Mighty Mouse PC Tail or Solder Cup Receptacle 804-005, 804-020 Ordering Information



**Panel Mount Receptacles** feature factory-installed non-removable contacts. Choose solder cup or PC Tail terminals. Available in front or rear panel mount versions.

### Water Immersion, Unmated

Specify **804-005** connectors for applications where open face water immersion is not a requirement. For MIL-STD-810 Method 512G immersion requirements, specify **804-020** watertight connectors. These 804-020 connectors are specially sealed ("MOD-518") and are 100% tested to maintain a helium leak rate of  $1 \times 10^{-4}$  cc/second at one atmosphere pressure differential from -40C to +70C.

### How To Order

| Sample Part Number                        | 804-005   | -07 | NF | 9-4 | E | A |
|---|---|-----|----|-----|---|---|
| <b>Series</b>                             | <b>804-005</b> = Solder Cup or PCB Receptacle with Standard Potting<br><b>804-020</b> = Solder Cup or PCB Receptacle with Special "MOD-518" Sealing for Open Face (Unmated) Water Immersion Requirements. 100% Leak Tested.   |     |    |     |   |   |
| <b>Shell Style (See Table I)</b>          | <b>-00</b> = Front Panel Mount Jam Nut (See Table IV)<br><b>-07</b> = Rear Panel Mount Jam Nut (See Table III)  |     |    |     |   |   |
| <b>Shell Material and Finish</b>          | <b>C</b> = Aluminum / Black Anodize (Non-Conductive); RoHS Compliant<br><b>M</b> = Aluminum / Electroless Nickel; RoHS Compliant<br><b>MT</b> = Aluminum / Nickel-PTFE RoHS Compliant<br><b>NF</b> = Aluminum / Cadmium with Olive Drab Chromate<br><b>ZNU</b> = Aluminum / Zinc-Nickel with Black Chromate<br><b>Z1</b> = Stainless Steel / Passivated; RoHS Compliant |     |    |     |   |   |
| <b>Shell Size - Insert Arrangement</b>    | See Contact Arrangements Page G-2   |     |    |     |   |   |
| <b>Contact Type</b>                       | <b>P</b> = Pin, PC Tail <b>E</b> = Pin, Solder Cup<br><b>S</b> = Socket, PC Tail <b>F</b> = Socket, Solder Cup  |     |    |     |   |   |
| <b>Shell Key Positions (See Table II)</b> | <b>Omit</b> = Single Master Key <b>A</b> = Normal <b>B</b> = Pos. B <b>C</b> = Pos. C <b>D</b> = Pos. D <b>E</b> = Pos. E <b>F</b> = Pos. F   |     |    |     |   |   |

Table I: Shell Style

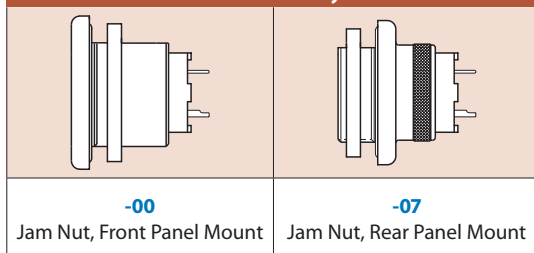
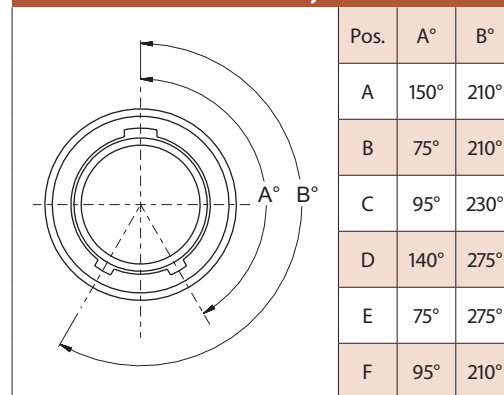


Table II: Alternate Key Positions



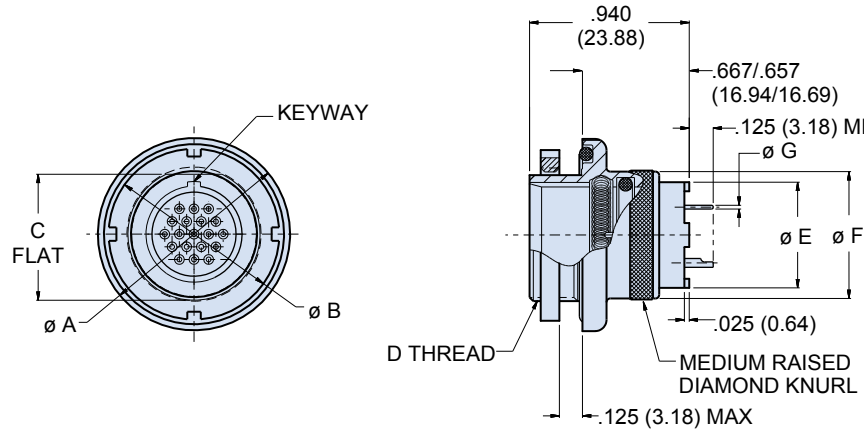
Dimensions in Inches (millimeters) are subject to change without notice.

Series 804 Push-Pull Mighty Mouse Connector  
PCB or Solder Cup Receptacle  
804-005-07, 804-020-07 Dimensions



Series 804

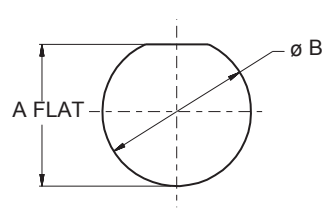
**Jam nut, rear panel mount receptacle - style 07**



**Rear Panel Jam Nut**  
804-005-07

| Dimensions |       |       |       |       |        |       |                 |      |       |      |       |  |
|------------|-------|-------|-------|-------|--------|-------|-----------------|------|-------|------|-------|--|
| Shell Size | Ø A   |       | Ø B   |       | C Flat |       | D Threads       | Ø E  |       | Ø F  |       | Ø G Tail Dia.  |
|            | In.   | mm.   | In.   | mm.   | In.    | mm.   |                 | In.  | mm.   | In.  | mm.   |  |
| 5          | .730  | 18.54 | .562  | 14.27 | .415   | 10.54 | .4375-32 UN-2A  | .244 | 6.20  | .435 | 11.05 | <b>#23</b><br>.018/.022 (0.46/0.56)<br><b>#20</b><br>.024/.028 (0.61/0.71)<br><b>#16</b><br>.060/.064 (1.52/1.63)<br><b>#12</b><br>.092/.096 (2.34/2.44) |
| 6          | .730  | 18.54 | .625  | 15.87 | .467   | 14.40 | .5000-32 UN-2A  | .330 | 8.38  | .483 | 12.27 |  |
| 7          | .910  | 23.11 | .750  | 19.05 | .594   | 15.09 | .6250-28 UN-2A  | .432 | 10.97 | .570 | 14.48 |  |
| 8          | .955  | 24.26 | .750  | 19.05 | .594   | 15.09 | .6250-28 UN-2A  | .493 | 12.52 | .593 | 15.06 |  |
| 9          | 1.000 | 25.40 | .812  | 20.62 | .655   | 16.64 | .6875-28 UN-2A  | .551 | 14.00 | .685 | 17.40 |  |
| 10         | 1.085 | 27.48 | .875  | 22.22 | .721   | 18.31 | .7500-28 UN-2A  | .620 | 15.75 | .725 | 18.42 |  |
| 11         | 1.135 | 28.83 | .938  | 23.83 | .788   | 20.02 | .8125-28 UN-2A  | .662 | 16.81 | .810 | 20.57 |  |
| 12         | 1.190 | 30.23 | 1.000 | 25.40 | .843   | 21.41 | .8750-28 UN-2A  | .703 | 17.86 | .850 | 21.59 |  |
| 14         | 1.325 | 33.66 | 1.125 | 28.57 | .968   | 24.59 | 1.0000-28 UN-2A | .863 | 21.92 | .973 | 24.71 |  |

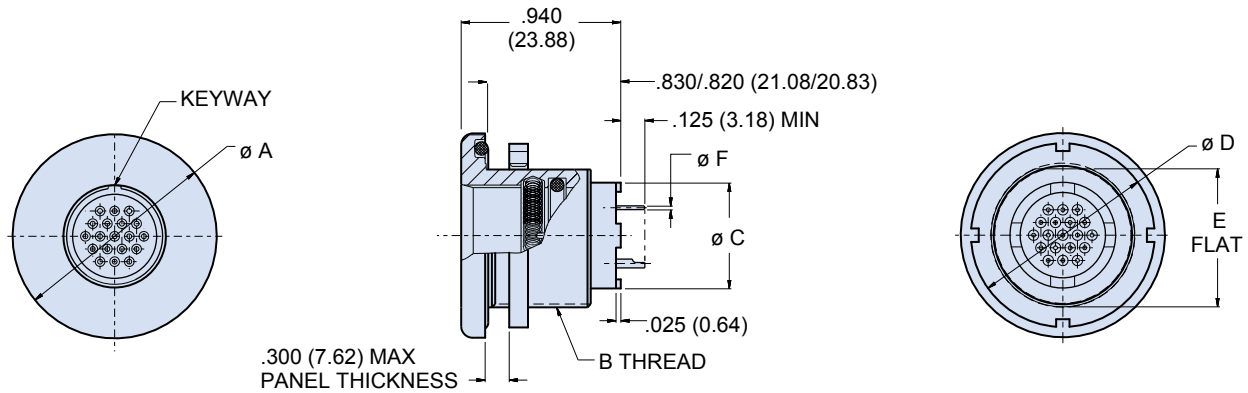
| Rear Mount Jam Nut Panel Mount Cutout |               |               |               |               |
|---------------------------------------|---------------|---------------|---------------|---------------|
| Shell Size                            | A Flat        |               | Ø B           |               |
|                                       | In.<br>± .002 | mm.<br>± 0.05 | In.<br>± .005 | mm.<br>± 0.13 |
| 5                                     | .427/.423     | 10.85/10.74   | .448          | 11.38         |
| 6                                     | .479/.475     | 12.17/12.07   | .510          | 12.95         |
| 7                                     | .606/.602     | 15.39/15.29   | .635          | 16.13         |
| 8                                     | .606/.602     | 15.39/15.29   | .635          | 16.13         |
| 9                                     | .667/.663     | 16.94/16.84   | .695          | 17.65         |
| 10                                    | .734/.729     | 18.64/18.52   | .760          | 19.30         |
| 11                                    | .801/.796     | 20.35/20.22   | .822          | 20.88         |
| 12                                    | .855/.851     | 21.72/21.62   | .885          | 22.48         |
| 14                                    | .980/.976     | 24.89/24.79   | 1.010         | 25.65         |



Dimensions in Inches (millimeters) are subject to change without notice.



### Jam nut, front panel mount receptacle - style 00



**Front Panel Jam Nut**  
804-005-00

| Shell Size | Dimensions |       |                 |      |       |       |       |        |       |  |
|------------|------------|-------|-----------------|------|-------|-------|-------|--------|-------|--|
|            | Ø A        |       | B Threads       | Ø C  |       | Ø D   |       | E Flat |       | Ø F Tail Dia.  |
|            | In.        | mm.   |                 | In.  | mm.   | In.   | mm.   | In.    | mm.   |  |
| 5          | .830       | 21.08 | .5000-32 UN-2A  | .244 | 6.20  | .625  | 15.87 | .470   | 11.94 | <b>#23</b><br>.018/.022 (0.46/0.56)<br><b>#20</b><br>.024/.028 (0.61/0.71)<br><b>#16</b><br>.060/.064 (1.52/1.63)<br><b>#12</b><br>.092/.096 (2.34/2.44) |
| 6          | .885       | 22.48 | .5625-28 UN-2A  | .330 | 8.38  | .688  | 17.47 | .530   | 13.46 |  |
| 7          | .995       | 25.27 | .6875-28 UN-2A  | .432 | 10.97 | .812  | 20.62 | .663   | 16.84 |  |
| 8          | .995       | 25.27 | .6875-28 UN-2A  | .493 | 12.52 | .812  | 20.62 | .663   | 16.84 |  |
| 9          | 1.075      | 27.31 | .7500-28 UN-2A  | .551 | 14.00 | .875  | 22.22 | .720   | 18.29 |  |
| 10         | 1.140      | 28.95 | .8125-28 UN-2A  | .620 | 15.75 | .938  | 23.82 | .788   | 20.02 |  |
| 11         | 1.190      | 30.23 | .8750-28 UN-2A  | .662 | 16.81 | 1.000 | 25.4  | .843   | 21.41 |  |
| 12         | 1.340      | 34.04 | 1.0000-28 UN-2A | .703 | 17.86 | 1.125 | 28.57 | .970   | 24.64 |  |
| 14         | 1.390      | 35.31 | 1.0620-20 UN-2A | .863 | 21.92 | 1.162 | 29.51 | 1.020  | 25.91 |  |

**Front Mount Jam Nut Panel Cutout**

| Shell Size | A Flat |       | Ø B   |       |
|------------|--------|-------|-------|-------|
|            | In.    | mm.   | In.   | mm.   |
|            | ±.002  | ±0.05 | ±.005 | ±0.13 |
| 5          | 0.480  | 12.19 | 0.510 | 12.95 |
| 6          | 0.540  | 13.73 | 0.575 | 14.61 |
| 7          | 0.673  | 17.09 | 0.698 | 17.73 |
| 8          | 0.673  | 17.09 | 0.698 | 17.73 |
| 9          | 0.730  | 18.54 | 0.760 | 19.30 |
| 10         | 0.798  | 20.27 | 0.822 | 20.88 |
| 11         | 0.853  | 21.67 | 0.885 | 22.48 |
| 12         | 0.980  | 24.89 | 1.010 | 25.65 |
| 14         | 1.030  | 26.16 | 1.075 | 27.31 |

Dimensions in Inches (millimeters) are subject to change without notice.

## X-ON Electronics

Largest Supplier of Electrical and Electronic Components

*Click to view similar products for [Circular MIL Spec Connector](#) category:*

*Click to view products by [Glenair](#) manufacturer:*

Other Similar products are found below :

[89075GULPR](#) [0025-262-542](#) [0025-264-3014](#) [58-570121-04S](#) [0134-213-1208](#) [0134-213-2209](#) [0025-258-000](#) [60-042022-07P](#) [60-042022-19P](#)  
[60-042022-23P](#) [60-042217-10P](#) [0114-201-1278](#) [012-0467-000](#) [602GB06EG24-61SN](#) [0134-201-1207](#) [0134-213-1006](#) [6104-207-2302](#) [6104-](#)  
[208-1902](#) [61-168211-04P](#) [61-168617-10P](#) [6131-202-19149P](#) [6131-204-21149P](#) [6131-208-13149P](#) [6131-209-17149P](#) [6131-210-11149P](#) [6131-](#)  
[211-19149P](#) [6131-216-19149P](#) [6131-259-21149P](#) [6131-259-23149P](#) [6131-265-17149P](#) [6131-265-19149P](#) [CS3100A18-1P-472](#) [CS3100A-36-](#)  
[77P](#) [CS3101A-16-55P](#) [CS3102A-10SL-55P](#) [CS3102A-14S-58P](#) [CS3102A-32-17P](#) [CS3102A32-25S](#) [CS3102C18-4P-472](#)  
[CS3106A10SL3S004](#) [CS3106A-18-73S](#) [CS3108A-14S-52S](#) [CS3108A-28-51S](#) [6162-233-1277](#) [6162-324-1231](#) [M243082296Z](#)  
[M2884010AC1S1](#) [CT0-24-10SC](#) [CT0M20-7PCAU](#) [M28840/17AC1G3](#)