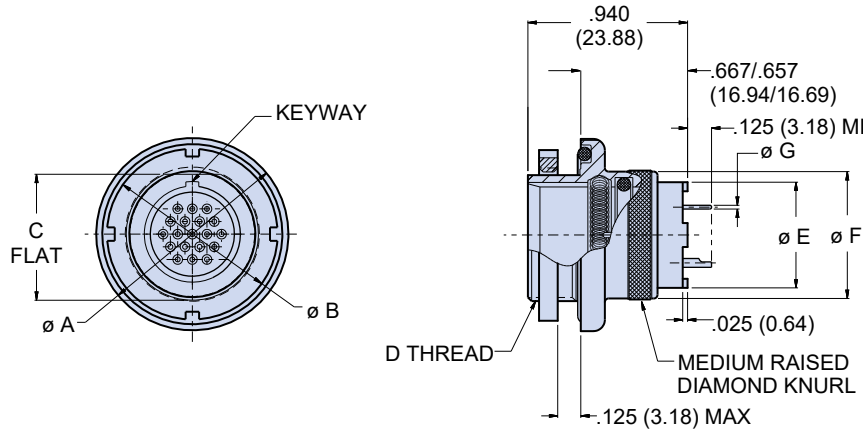


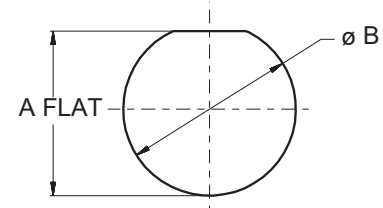


## Jam-nut, rear panel mount receptacle - style 07



Dimensions							
Shell Size	Ø A	Ø B	C Flat	D Threads	Ø E	Ø F	Ø G Tail Dia.
5	.730 (18.54)	.562 (14.27)	.415 (10.54)	.4375-32 UN-2A	.244 (6.20)	.435 (11.05)	#23 .018/.022 (0.46/0.56)
6	.730 (18.54)	.625 (15.88)	.467 (11.86)	.5000-32 UN-2A	.330 (8.38)	.483 (12.27)	
7	.910 (23.11)	.750 (19.05)	.594 (15.09)	.6250-28 UN-2A	.432 (10.97)	.570 (14.48)	
8	.955 (24.26)	.750 (19.05)	.594 (15.09)	.6250-28 UN-2A	.493 (12.52)	.593 (15.06)	#20 .024/.028 (0.61/0.71)
9	1.000 (25.40)	.812 (20.62)	.655 (16.64)	.6875-28 UN-2A	.551 (14.00)	.685 (17.40)	#16 .060/.064 (1.52/1.63)
10	1.085 (27.56)	.875 (22.23)	.721 (18.31)	.7500-28 UN-2A	.620 (15.75)	.725 (18.42)	
11	1.135 (28.83)	.938 (23.83)	.788 (20.02)	.8125-28 UN-2A	.662 (16.81)	.810 (20.57)	#12 .092/.096 (2.34/2.44)
12	1.190 (30.23)	1.000 (25.40)	.843 (21.41)	.8750-28 UN-2A	.703 (17.86)	.850 (21.59)	
14	1.325 (33.65)	1.125 (28.58)	.968 (24.59)	1.0000-28 UN-2A	.863 (21.92)	.973 (24.71)	

### Jam-Nut Rear Panel Mount Cutout Dimensions



Shell Size	A Flat	Ø B
5	.425 (10.80)	.448 (11.38)
	.421 (10.69)	.443 (11.25)
6	.477 (12.12)	.510 (12.95)
	.473 (12.01)	.505 (12.83)
7	.590 (14.99)	.635 (16.13)
	.586 (14.88)	.630 (16.00)
8	.604 (15.34)	.635 (16.13)
	.600 (15.24)	.630 (16.00)
9	.665 (16.89)	.698 (17.73)
	.661 (16.79)	.693 (17.60)
10	.731 (18.57)	.760 (19.30)
	.727 (18.47)	.755 (19.18)
11	.800 (20.32)	.823 (20.90)
	.796 (20.22)	.880 (22.35)
12	.853 (21.67)	.885 (22.48)
	.849 (21.56)	.880 (22.35)
14	.978 (24.84)	1.010 (25.65)
	.974 (24.74)	1.005 (25.53)

### Material and Finish

- Shell, jam-nut: aluminum alloy or CRES / see how to order table
- Insulator: LCP / N.A.
- Interfacial seal, O-ring: fluorosilicone / N.A.
- Contact: copper alloy / gold plate per ASTM B 488, Type II, Code C, Class 1.25, over suitable underplate
- Detent spring: CRES / gold plated
- Potting compound: epoxy / N.A.

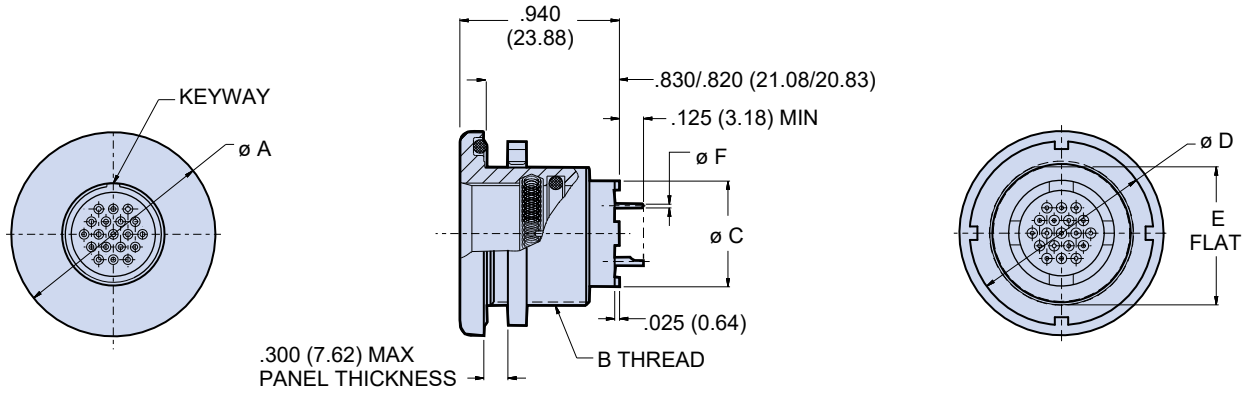
Dimensions in Inches (millimeters) are subject to change without notice.

**Series 804 Push-Pull Mighty Mouse Connector  
PC Tail or Solder Cup Receptacle  
804-005-00, 804-020-00 Dimensions**



Series 804

**Jam-nut, front panel mount receptacle - style 00**



Dimensions						
Shell Size	Ø A	B Threads	Ø C	Ø D	E Flat	Ø F Tail Dia.
5	.830 (21.08)	.5000-32 UN-2A	.244 (6.20)	.625 (15.88)	.470 (11.94)	#23 .018/.022 (0.46/0.56)
6	.885 (22.48)	.5625-28 UN-2A	.330 (8.38)	.688 (17.48)	.530 (13.46)	
7	.995 (25.27)	.6875-28 UN-2A	.432 (10.97)	.812 (20.62)	.663 (16.84)	
8	.995 (25.27)	.6875-28 UN-2A	.493 (12.52)	.812 (20.62)	.663 (16.84)	#20 .024/.028 (0.61/0.71)
9	1.075 (27.30)	.7500-28 UN-2A	.551 (14.00)	.875 (22.23)	.720 (18.29)	#16 .060/.064 (1.52/1.63)
10	1.140 (28.96)	.8125-28 UN-2A	.620 (15.75)	.938 (23.83)	.788 (20.02)	
11	1.190 (30.23)	.8750-28 UN-2A	.662 (16.81)	1.000 (25.40)	.843 (21.41)	
12	1.340 (34.04)	1.0000-28 UN-2A	.703 (17.86)	1.125 (28.58)	.970 (24.64)	#12 .092/.096 (2.34/2.44)
14	1.390 (35.31)	1.0620-20 UN-2A	.863 (21.92)	1.162 (29.51)	1.020 (25.91)	

Jam-Nut, Front Panel Mount Cutout Dimensions		
Shell Size	A Flat	Ø B
5	.482 (12.24)	.510 (12.95)
	.478 (12.14)	
6	.542 (13.77)	.575 (14.60)
	.538 (13.67)	
7	.676 (17.17)	.698 (17.73)
	.671 (17.04)	
8	.676 (17.17)	.698 (17.73)
	.671 (17.04)	
9	.732 (18.59)	.760 (19.30)
	.728 (18.49)	
10	.801 (20.35)	.822 (20.88)
	.796 (20.22)	
11	.855 (21.72)	.885 (22.48)
	.851 (21.62)	
12	.982 (24.94)	1.010 (25.65)
	.978 (24.84)	
14	1.032 (26.21)	1.075 (27.30)
	1.028 (26.11)	

**Material and Finish**

- Shell, jam-nut: aluminum alloy or CRES / see how to order table
- Insulator: LCP / N.A.
- Interfacial seal, O-ring: fluorosilicone / N.A.
- Contact: copper alloy / gold plate per ASTM B 488, Type II, Code C, Class 1.25, over suitable underplate
- Detent spring: CRES / gold plated
- Potting compound: epoxy / N.A.

Dimensions in Inches (millimeters) are subject to change without notice.



## X-ON Electronics

Largest Supplier of Electrical and Electronic Components

*Click to view similar products for [Circular MIL Spec Connector](#) category:*

*Click to view products by [Glenair](#) manufacturer:*

Other Similar products are found below :

[0025-262-542](#) [0025-264-3014](#) [58-570121-04S](#) [0134-202-1200](#) [0134-207-1206](#) [0134-207-1800](#) [0134-207-2207](#) [0134-213-0806](#) [0134-213-1007](#) [0134-213-1009](#) [0134-213-1208](#) [0134-213-1800](#) [0134-213-2209](#) [0025-258-000](#) [015-9516-002](#) [60-042722-19P](#) [0114-201-1278](#) [602GB06EG24-61SN](#) [0134-201-1207](#) [0134-201-1806](#) [0134-201-2006](#) [0134-201-2007](#) [0134-201-2010](#) [0134-202-1400](#) [0134-207-0809](#) [0134-207-1208](#) [0134-207-2009](#) [0134-213-1006](#) [6104-207-2302](#) [6104-208-1902](#) [6131-202-19149P](#) [6131-204-21149P](#) [6131-207-13149P](#) [6131-208-13149P](#) [6131-209-17149P](#) [6131-210-11149P](#) [6131-211-19149P](#) [6131-216-19149P](#) [6131-220-25149P](#) [6131-259-11149P](#) [6131-259-21149P](#) [6131-259-23149P](#) [6131-263-19149P](#) [6131-265-17149P](#) [6131-265-19149P](#) [CS3102A-20-15P](#) [CS3102A-20-15S](#) [CS3102C18-4P-472](#) [CS3106A-20-29P](#) [CS3106A-20-74P](#)