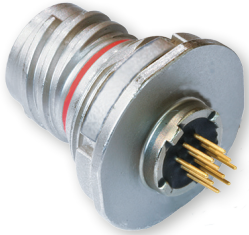




# Series 805 Mighty Mouse Triple-Start ACME Thread PC Tail or Solder Cup Receptacle

## 805-005 and 805-017 Ordering Information



**Environmental, PCB Receptacle** 800-012 connectors feature low profile shells for minimum protrusion inside enclosures and integral board standoffs. Contacts are non-removable. Specify **800-012** connectors for applications where open face water immersion is not a requirement.

**Water Tight PCB Receptacle** 800-040 connectors are identical to 800-012 but are specially sealed ("MOD-518") and 100% tested to maintain a helium leak rate of less than  $1 \times 10^{-4}$  cc/second at one atmosphere pressure differential. Connectors meet MIL-STD-810 Method 512G immersion requirements in unmated/open face condition.

### How To Order

Sample Part Number	805-017	-07	M	10-13	P	B
<b>Series</b>	<b>805-005</b> = Receptacle with Standard Epoxy Potting <b>805-017</b> = Receptacle with Special "MOD-518" Sealing For Open Face (unmated) Water Immersion Requirements. 100% Leak Tested.					
<b>Shell Style (See Table I)</b>	<b>-02</b> = Square Flange, Front or Rear Panel Mount <b>-12</b> = Square Flange, Rear Panel Mount with Non-Locking Clinch Nuts <b>-22</b> = Square Flange, Rear Panel Mount with Locking Clinch Nuts <b>-07</b> = Jam-Nut, Rear Panel Mount					
<b>Shell Material and Finish</b>	<b>C</b> = Aluminum / Black Anodize (Non-Conductive); RoHS Compliant <b>M</b> = Aluminum / Electroless Nickel; RoHS Compliant <b>MT</b> = Aluminum / Nickel-PTFE RoHS Compliant <b>NF</b> = Aluminum / Cadmium with Olive Drab Chromate <b>ZNU</b> = Aluminum / Zinc-Nickel with Black Chromate <b>Z1</b> = Stainless Steel / Passivated; RoHS Compliant <b>ZB</b> = Stainless Steel / Olive Drab Chromate over Cadmium <b>ZC</b> = Stainless Steel / Zinc Cobalt Alloy/Black Chromate					
<b>Shell Size - Insert Arrangement</b>	See Contact Arrangements Page H-2					
<b>Contact Type</b>	<b>P</b> = Pin, PC Tail <b>S</b> = Socket, PC Tail <b>E</b> = Pin, Solder Cup <b>F</b> = Socket, Solder Cup					
<b>Polarization (See Table II)</b>	<b>A</b> = Normal <b>B</b> = Pos. B <b>C</b> = Pos. C <b>D</b> = Pos. D <b>E</b> = Pos. E <b>F</b> = Pos. F					

Table I: Shell Style

<b>-02, -12, -22</b> Square Flange	<b>-07</b> Jam-Nut

Table II: Keyway Positions

Pos.	A	B
<b>A</b> (Normal)	150°	210°
<b>B</b>	75°	210°
<b>C</b>	95°	230°
<b>D</b>	140°	275°
<b>E</b>	75°	275°
<b>F</b>	95°	210°

### NOTES

1. Contacts are non removable and connector is back potted
2. For additional insert arrangements consult factory
3. This receptacle mates with all quick coupling high density plug connectors with same polarization and opposite contact gender
4. For all insert arrangements with size #8 contacts add .327 (8.31) to overall length

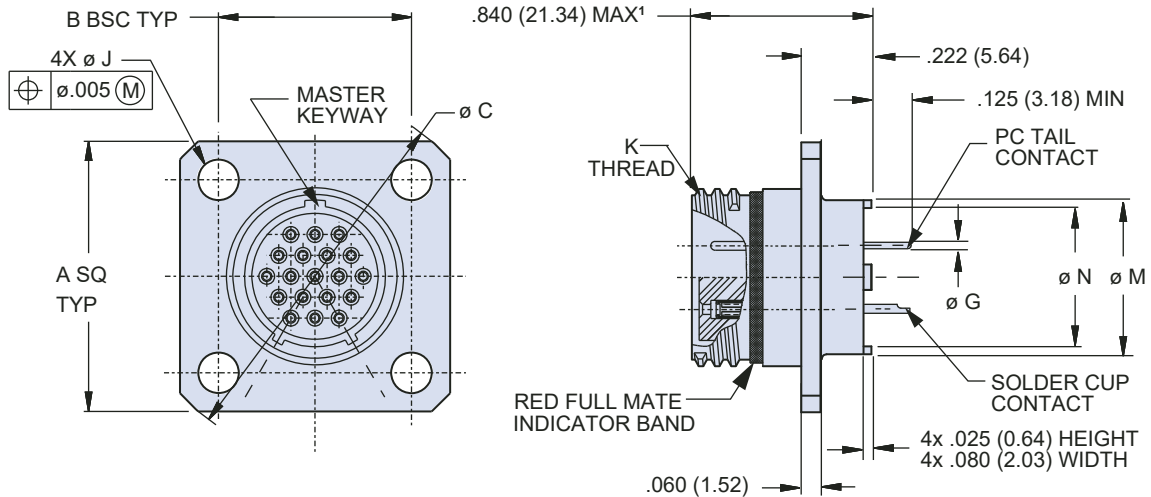
Dimensions in Inches (millimeters) are subject to change without notice.

# Series 805 Mighty Mouse Triple-Start ACME Thread PC Tail or Solder Cup Receptacle 805-005 and 805-017 Shell Style -02 Dimensions



Series 805

## Square flange, front or rear panel mount receptacle - shell style 02



Dimensions								
Shell Size	A SQ Typ	B Bsc Typ	Ø C	Ø J ± .003 (0.08)	K Thread	Ø M	Ø N	Ø G Tail Dia.
8	.850 (21.59)	.660 (16.76)	1.150 (29.21)	.094 (2.39)	.5000-.1P-.3L-TS	.330 (8.38)	.236 (5.99)	#23 .018/.022 (0.46/0.56)
9	.913 (23.19)	.723 (18.36)	1.230 (31.24)	.094 (2.39)	.5625-.1P-.3L-TS	.432 (10.97)	.322 (8.18)	
10	.975 (24.76)	.785 (19.94)	1.330 (33.78)	.094 (2.39)	.6250-.1P-.3L-TS	.493 (12.52)	.386 (9.80)	
11	1.039 (26.39)	.848 (21.54)	1.410 (35.81)	.094 (2.39)	.6875-.1P-.3L-TS	.551 (14.00)	.442 (11.23)	#20 .024/.028 (0.61/0.71)
12	1.099 (27.91)	.909 (23.09)	1.500 (38.10)	.094 (2.39)	.7500-.1P-.3L-TS	.620 (15.75)	.513 (13.03)	
13	1.163 (29.54)	.973 (24.71)	1.590 (40.39)	.094 (2.39)	.8125-.1P-.3L-TS	.661 (16.79)	.554 (14.07)	#16 .060/.064 (1.52/1.63)
15	1.288 (32.72)	1.058 (26.87)	1.750 (44.45)	.128 (3.25)	.9375-.1P-.3L-TS	.703 (17.86)	.594 (15.09)	
18	1.475 (37.47)	1.255 (31.88)	2.000 (50.80)	.128 (3.25)	1.1250-.1P-.3L-TS	.863 (21.92)	.755 (19.18)	
19	1.537 (39.04)	1.327 (33.71)	2.094 (53.19)	.128 (3.25)	1.1875-.1P-.3L-TS	.912 (23.16)	.805 (20.45)	#12 .092/.096 (2.34/2.44)
21	1.663 (42.24)	1.452 (36.88)	2.270 (57.66)	.128 (3.25)	1.3125-.1P-.3L-TS	1.017 (25.83)	.910 (23.11)	
23	1.787 (45.39)	1.570 (39.88)	2.440 (61.98)	.128 (3.25)	1.4375-.1P-.3L-TS	1.162 (29.51)	1.055 (26.80)	

Square Flange, Rear Panel Mount Cutout Dimensions			
Shell Size	H BSC	J Holes	Ø P
8	.660 (16.76)	.096 (2.43)	.515 (13.08)
9	.723 (18.36)		.578 (14.68)
10	.785 (19.94)		.640 (16.26)
11	.848 (21.54)	.091 (2.31)	.703 (17.86)
12	.909 (23.09)		.765 (19.43)
13	.973 (24.71)	.130 (0.13) .126 (3.20)	.828 (21.03)
15	1.058 (26.87)		0.953 (24.21)
18	1.255 (31.88)		1.140 (28.96)
19	1.327 (33.71)		1.203 (30.56)
21	1.452 (36.88)		1.328 (33.73)
23	1.570 (39.88)		1.453 (36.91)

### Materials and Finishes

- Shell aluminum or stainless steel / see how to order table
- Insulators: high-grade rigid dielectric / N.A
- Interfacial seal, O-ring: fluorosilicone
- Potting compound: epoxy
- Contact: copper alloy, gold plate per ASTM B 488, Type II, Code C, Class 1.25 over a suitable underplate

Dimensions in Inches (millimeters) are subject to change without notice.

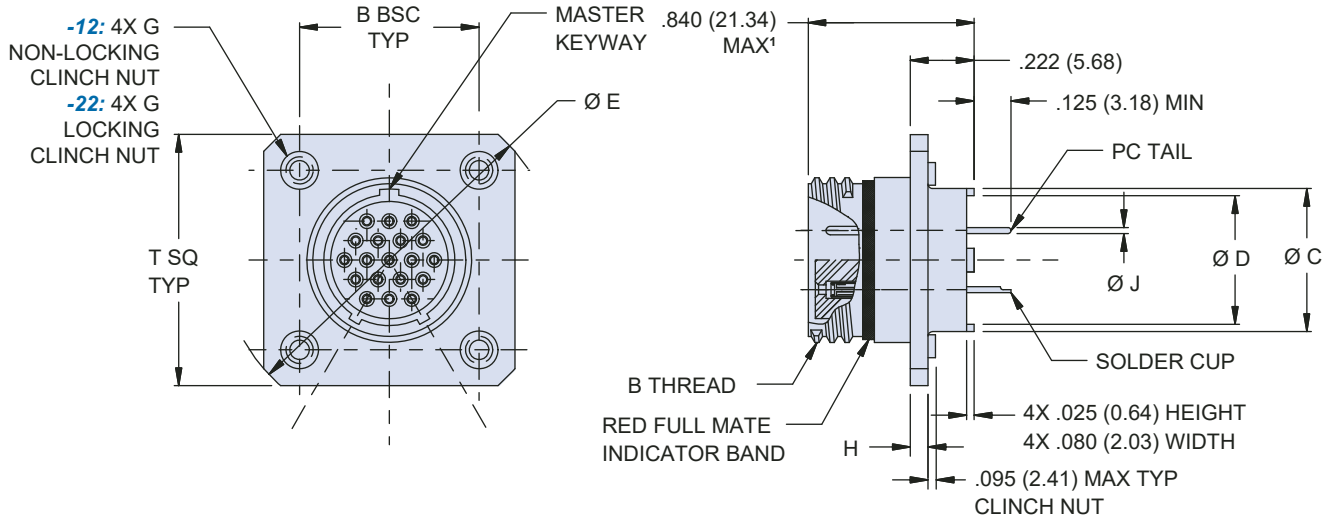




# Series 805 Mighty Mouse Triple-Start ACME Thread PC Tail or Solder Cup Receptacle

## 805-005 and 805-017 Shell Styles -12 and -22 Dimensions

### Square flange, front or rear panel mount receptacle - shell style 12 and 22



Dimensions									
Shell Size	B BSC Typ	B Thread	Ø C	Ø D	Ø E	T SQ Typ	G	H	Ø J Tail Dia.
8	.660 (16.76)	.5000-1P-.3L-TS	0.330 (8.38)	0.236 (5.99)	1.194 (30.33)	0.920 (23.37)	2-56	0.030 (.76)	#23 .018/.022 (0.46/0.56)
9	.723 (18.36)	.5625-1P-.3L-TS	0.432 (10.97)	0.322 (8.18)	1.283 (32.59)	0.983 (24.97)			
10	.785 (19.94)	.6250-1P-.3L-TS	0.493 (12.52)	0.386 (9.80)	1.371 (34.82)	1.045 (26.54)			
11	.848 (21.54)	.6875-1P-.3L-TS	0.551 (14.00)	0.442 (11.23)	1.460 (37.08)	1.104 (28.04)			
12	.909 (23.09)	.7500-1P-.3L-TS	0.620 (15.75)	0.513 (13.03)	1.546 (39.27)	1.169 (29.69)			
13	.973 (24.71)	.8125-1P-.3L-TS	0.661 (16.79)	0.554 (14.07)	1.637 (41.58)	1.233 (31.32)			
15	1.058 (26.87)	.9375-1P-.3L-TS	0.705 (17.91)	0.594 (15.09)	1.817 (46.15)	1.378 (35.00)	4-40	0.060 (1.52)	#16 .060/.064 (1.52/1.63)
18	1.255 (31.88)	1.1250-1P-.3L-TS	0.863 (21.92)	0.755 (19.18)	2.096 (53.24)	1.575 (40.00)			
19	1.327 (33.71)	1.1875-1P-.3L-TS	0.912 (23.16)	0.805 (20.45)	2.197 (55.80)	1.647 (41.83)			
21	1.452 (36.88)	1.3125-1P-.3L-TS	1.017 (25.83)	0.910 (23.11)	2.380 (60.45)	1.772 (45.01)			
23	1.570 (39.88)	1.4375-1P-.3L-TS	1.162 (29.51)	1.055 (26.80)	2.541 (64.54)	1.890 (48.01)			

Square Flange, Rear Panel Mount Cutout Dimensions			
Shell Size	H BSC	J Holes	Ø P
8	.660 (16.76)	.096 (2.43)	.515 (13.08)
9	.723 (18.36)		.578 (14.68)
10	.785 (19.94)		.640 (16.26)
11	.848 (21.54)		.703 (17.86)
12	.909 (23.09)		.765 (19.43)
13	.973 (24.71)		.828 (21.03)
15	1.058 (26.87)	.130 (.13) (3.20)	.953 (24.21)
18	1.255 (31.88)		1.140 (28.96)
19	1.327 (33.71)		1.203 (30.56)
21	1.452 (36.88)		1.328 (33.73)
23	1.570 (39.88)		1.453 (36.91)

#### Materials and Finishes

- Shell: aluminum or stainless steel / see how to order table
- Insulators: high-grade rigid dielectric / N.A
- Interfacial seal, O-ring: fluorosilicone rubber, blue
- Contact: copper alloy, gold plate per ASTM B 488, Type II, Code C, Class 1.25 over a suitable underplate
- Potting compound: epoxy

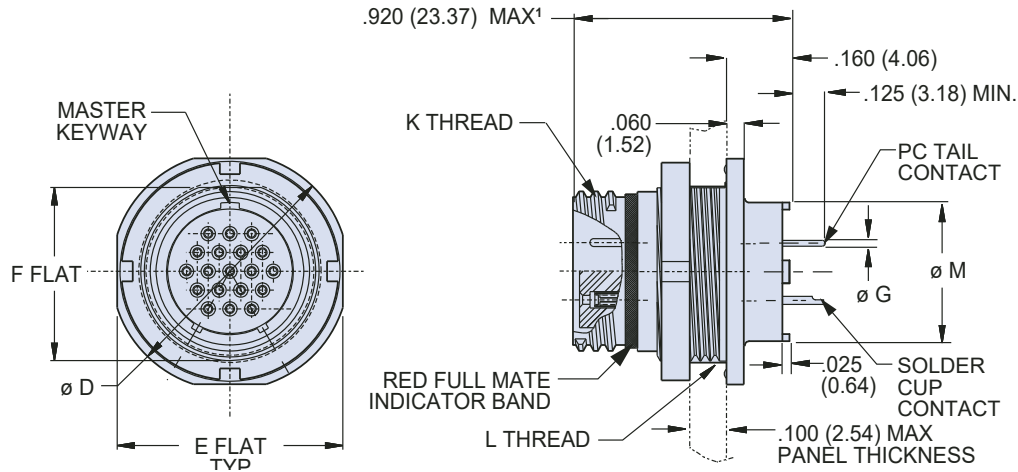
Dimensions in Inches (millimeters) are subject to change without notice.

# Series 805 Mighty Mouse Triple-Start ACME Thread PC Tail or Solder Cup Receptacle 805-005 and 805-017 Shell Style -07 Dimensions



Series 805

## Jam-nut, rear panel mount receptacle - shell style 07



Dimensions							
Shell Size	Ø D	E Flat	F Flat	K Thread	L Thread	Ø M	Ø G Tail Dia.
8	.760 (19.30)	.730 (18.54)	.535 (13.59)	.5000-.1P-.3L-TS	.5625-28 UNEF-2A	.330 (8.38)	#23 .018/.022 (0.46/0.56)
9	.880 (22.35)	.850 (21.59)	.661 (16.79)	.5625-.1P-.3L-TS	.6875-28 UN-2A	.432 (10.97)	
10	.880 (22.35)	.850 (21.59)	.661 (16.79)	.6250-.1P-.3L-TS	.6875-28 UN-2A	.493 (12.52)	
11	.955 (24.26)	.925 (23.50)	.721 (18.31)	.6875-.1P-.3L-TS	.7500-28 UN-2A	.551 (14.00)	
12	1.060 (26.92)	1.035 (26.29)	.784 (19.91)	.7500-.1P-.3L-TS	.8125-28 UN-2A	.620 (15.75)	
13	1.120 (28.45)	1.090 (27.69)	.841 (21.36)	.8125-.1P-.3L-TS	.8750-28 UN-2A	.661 (16.79)	
15	1.203 (30.56)	1.173 (29.79)	.970 (24.64)	.9375-.1P-.3L-TS	1.0000-28 UN-2A	.705 (17.91)	
18	1.389 (35.28)	1.359 (34.52)	1.147 (29.13)	1.1250-.1P-.3L-TS	1.1875-28 UN-2A	.863 (21.92)	
19	1.450 (36.83)	1.420 (36.07)	1.221 (31.01)	1.1875-.1P-.3L-TS	1.2500-28 UN-2A	.912 (23.16)	
21	1.580 (40.13)	1.550 (39.37)	1.348 (34.24)	1.3125-.1P-.3L-TS	1.3750-28 UN-2A	1.017 (25.83)	
23	1.705 (43.31)	1.675 (42.55)	1.470 (37.34)	1.4375-.1P-.3L-TS	1.500-28 UN-2A	1.162 (29.51)	

Jam-Nut, Rear Panel Mount Cutout Dimensions		
Shell Size	N Flat	Ø P
8	.545 (13.84) .541 (13.74)	.572 (14.53) .567 (14.40)
9	.671 (17.04) .667 (16.94)	.698 (17.73) .693 (17.60)
10	.671 (17.04) .667 (16.94)	.698 (17.73) .693 (17.60)
11	.731 (18.57) .727 (18.47)	.760 (19.30) .755 (19.18)
12	.794 (20.17) .790 (20.07)	.822 (20.88) .817 (20.75)
13	.851 (21.62) .847 (21.51)	.885 (22.48) .881 (22.38)
15	.980 (24.89) .976 (24.79)	1.010 (25.65) 1.005 (25.53)
18	1.157 (29.39) 1.153 (29.29)	1.198 (30.43) 1.193 (30.30)
19	1.231 (31.27) 1.227 (31.17)	1.260 (32.00) 1.255 (31.88)
21	1.358 (34.49) 1.354 (34.39)	1.383 (35.13) 1.381 (35.08)
23	1.480 (37.59) 1.476 (37.49)	1.510 (38.35) 1.505 (38.23)

### Materials and Finishes

- Shell, jam-nut: aluminum or stainless steel / see how to order table
- Insulators: high-grade rigid dielectric / N.A
- Interfacial seal, O-ring: fluorosilicone rubber, blue
- Contact: copper alloy, gold plate per ASTM B 488, Type II, Code C, Class 1.25 over a suitable underplate
- Potting compound: epoxy

Dimensions in Inches (millimeters) are subject to change without notice.

## X-ON Electronics

Largest Supplier of Electrical and Electronic Components

*Click to view similar products for [Circular MIL Spec Connector](#) category:*

*Click to view products by [Glenair](#) manufacturer:*

Other Similar products are found below :

[89075GULPR](#) [0025-262-542](#) [0025-264-3014](#) [58-570121-04S](#) [0134-213-1208](#) [0134-213-2209](#) [0025-258-000](#) [60-042022-07P](#) [60-042022-19P](#)  
[60-042022-23P](#) [60-042217-10P](#) [0114-201-1278](#) [012-0467-000](#) [602GB06EG24-61SN](#) [0134-201-1207](#) [0134-213-1006](#) [6104-207-2302](#) [6104-](#)  
[208-1902](#) [61-168211-04P](#) [61-168617-10P](#) [6131-202-19149P](#) [6131-204-21149P](#) [6131-208-13149P](#) [6131-209-17149P](#) [6131-210-11149P](#) [6131-](#)  
[211-19149P](#) [6131-216-19149P](#) [6131-259-21149P](#) [6131-259-23149P](#) [6131-265-17149P](#) [6131-265-19149P](#) [CS3100A18-1P-472](#) [CS3100A-36-](#)  
[77P](#) [CS3101A-16-55P](#) [CS3102A-10SL-55P](#) [CS3102A-14S-58P](#) [CS3102A-32-17P](#) [CS3102A32-25S](#) [CS3102C18-4P-472](#)  
[CS3106A10SL3S004](#) [CS3106A-18-73S](#) [CS3108A-14S-52S](#) [CS3108A-28-51S](#) [6162-233-1277](#) [6162-324-1231](#) [M243082296Z](#)  
[M2884010AC1S1](#) [CT0-24-10SC](#) [CT0M20-7PCAU](#) [M28840/17AC1G3](#)