

Series 802 Aqua Mouse Molding, Backshell Banding Adapter 809-141 Ordering Information



These adapters are used with Band-Master™ ATS micro band shield termination straps. Choose the smallest cable entry for your wire bundle.

How To Order					
Sample Part Number	809-141	NF	07	04	B
Series (See Table I)	809-141				
Shell Material and Finish	<p>C = Aluminum / Black Anodize (Non-Conductive) RoHS Compliant</p> <p>M = Aluminum / Electroless Nickel</p> <p>NF = Aluminum / Cadmium with Olive Drab</p> <p>ZN = Aluminum / Zinc-Nickel with Olive Drab Chromate</p> <p>Z1 = Stainless Steel / Passivated</p>				
Shell Size (See Table I)	05, 06, 07, 08, 09, 10, 12, 14, 15				
Dash No. (See Table II)	01, 02, 03, 04, 05, 06, 07, 08, 09, 10, 11, 12, 13, 14, 15, 16, 17				
Band Option	<p>B = 601-060 Flat Band Supplied</p> <p>K = 601-061 Pre-Coiled Band Supplied</p> <p>Omit for No Band Supplied</p>				

Table I: Dash Number Reference			
Shell Size	A Thread Class -2B	B Max	Dash No. Available ²
05	1/4-32 UNEF	0.375	01-03
06	5/16-32 UNEF	0.438	01-04
07	7/16-28 UNEF	0.562	02-06
08	1/2-28 UNEF	0.625	03-07
09	9/16-24 UNEF	0.682	05-08
10	5/8-24 UNEF	0.745	06-09
12	11/16-24 UNEF	0.807	07-10
14	7/8-20 UNEF	0.985	08-12
15	15/16-20 UNEF	1.047	10-14

NOTES

- Glenair 600 Series backshell assembly tools are recommended for assembly and installation.
 - Consult factory for availability of additional entries.
- Material/Finish:
- Adapter - see Table III
 - O-Ring - Viton/90 shore
 - Band - stainless steel/passivate

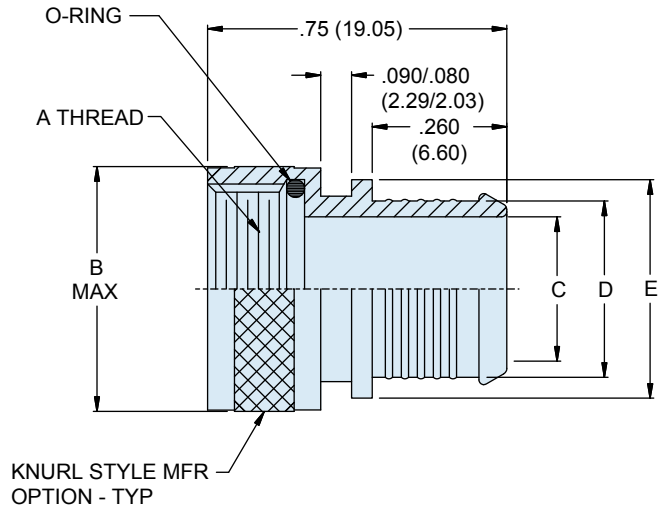


Table II: Dimensions						
Dash No.	C Dia		D Dia		E Dia	
	in	mm	in	mm	in	mm
01	0.094	2.39	0.133	3.38	0.235	5.97
02	0.125	3.18	0.164	4.17	0.266	6.76
03	0.172	4.37	0.211	5.36	0.313	7.95
04	0.234	5.94	0.273	6.93	0.375	9.53
05	0.272	6.91	0.311	7.90	0.413	10.49
06	0.312	7.92	0.351	8.92	0.453	11.51
07	0.375	9.53	0.414	10.52	0.516	13.11
08	0.438	11.13	0.477	12.12	0.579	14.71
09	0.500	12.70	0.539	13.69	0.641	16.28
10	0.562	14.27	0.601	15.27	0.703	17.86
11	0.625	15.88	0.664	16.87	0.766	19.46
12	0.688	17.48	0.727	18.47	0.829	21.06
13	0.750	19.05	0.789	20.04	0.891	22.63
14	0.812	20.62	0.851	21.62	0.953	24.21
15	0.875	22.23	0.914	23.22	1.016	25.81
16	0.938	23.83	0.977	24.82	1.079	27.41
17	1.000	25.40	1.036	26.31	1.141	28.98

Dimensions in Inches (millimeters) are subject to change without notice.

X-ON Electronics

Largest Supplier of Electrical and Electronic Components

Click to view similar products for [Circular MIL Spec Tools, Hardware & Accessories](#) *category:*

Click to view products by [Glenair](#) *manufacturer:*

Other Similar products are found below :

[0113-201-2025](#) [600-079-06](#) [600-146-06](#) [M10-101982-143](#) [M10-101982-163](#) [M10-101983-183](#) [M10-150912-083](#) [M10-454396-008](#)
[602GB18808](#) [CS3102A-22-14PW](#) [M2887615-CD](#) [627-009](#) [M38999/9-19B](#) [630A007NF083A](#) [630B007M051A](#) [630BJ003NF032H](#) [637-](#)
[149NF04B](#) [M39029/29-215](#) [6408-203V-09273](#) [6426-201-11343](#) [650FS002NF16](#) [660-008NF14S7-01](#) [660-009M22H8-03](#) [660-013NF19U6-](#)
[210](#) [660-015M10S6-17](#) [660-015NF10S5-01](#) [660-015NF14R3.5-01](#) [660-023NF19H6-19](#) [660-024NF11S12-01](#) [660-024NF11S3-01](#) [660-](#)
[024NF17S4-109](#) [660-050XM17F4-01](#) [660-068NF25R6-30G](#) [660-070M23S8-04](#) [660-073MTCH9-20](#) [M83723/61-18W](#) [M83723/61-218R](#)
[M83723/61-224W](#) [667-084-23C](#) [667-084-35C](#) [667-224NF16](#) [687-697NF-1](#) [M85049/94-10-A](#) [M85049/96-7-A](#) [M855282-10A01A](#)
[M85528/2-10B](#) [M855282-18A01A](#) [M85528/2-22A01A](#) [M85528/2-22AA](#) [710HS460NF2508](#)