

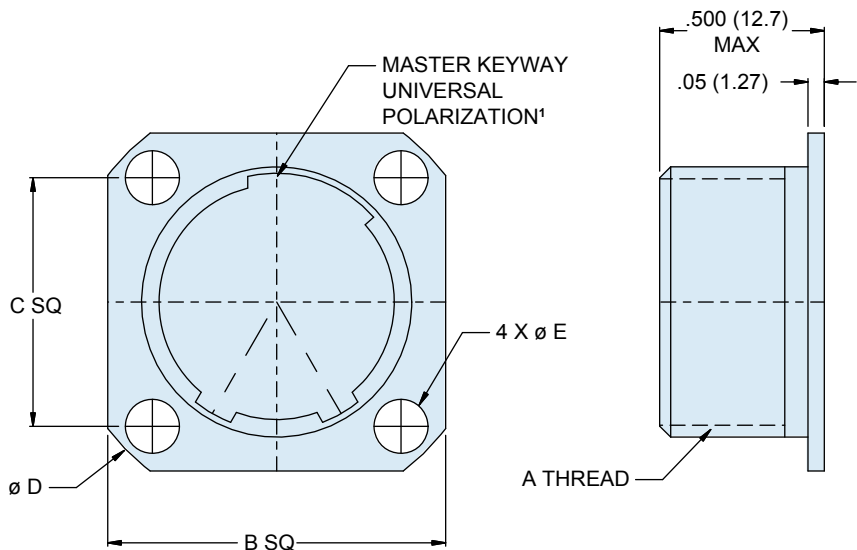
Series 80 Mighty Mouse Dummy Receptacle for 800 Connectors 809-173 Flange Mount - Dimensions



How To Order			
Sample Part Number	809-173	-M	10
Series	809-173		
Shell Material and Finish	C = Aluminum / Black Anodize (Non-Conductive) RoHS Compliant M = Aluminum / Electroless Nickel NF = Aluminum / Cadmium with Olive Drab ZN = Aluminum / Zinc-Nickel with Olive Drab Chromate ZNU = Aluminum / Zinc-Nickel with Black Chromate Z1 = Stainless Steel / Passivated ZB = Stainless Steel / Olive Drab Chromate over Cadmium ZC = Stainless Steel / Zinc Cobalt Alloy / Black Chromate		
Shell Size (See Table II)	5, 6, 7, 8, 9, 10, 12		

These flange mount style Series 800 dummy stowage receptacles provide a safe and convenient place to store and protect cabled connectors when not in use, due to routine maintenance or during repair of plug cables.

X



NOTES

- Master keyway is rotated 90° clockwise for shell sizes 7 thru 12

Material/Finish:

- Shell: Al alloy or CRES
- Gasket: Fluorosilicone

Shell Size	A Thread	B Sq		C Sq		Ø D		Ø E	
		In.	mm.	In.	mm.	In.	mm.	In.	mm.
5	.3125-28 UN-2A	.527	13.4	.363	9.2	.680	17.3	.096 .091	2.4 2.3
6	.3750-28 UN-2A	.588	14.9	.423	10.7	.750	19.1	.096 .091	2.4 2.3
7	.4375-28 UNEF-2A	.680	17.3	.483	12.3	.880	22.4	.128	3.3
8	.5000-32 UN-2A	.710	18.0	.542	13.8	.938	23.8	.128	3.3
9	.5625-32 UN-2A	.938	23.8	.719	18.3	1.250	31.8	.128	3.3
10	.6250-32 UN-2A	.938	23.8	.719	18.3	1.250	31.8	.128	3.3
12	.7500-28 UN-2A	1.031	26.2	.812	20.6	1.375	34.9	.128	3.3

Dimensions in Inches (millimeters) are subject to change without notice.

X-ON Electronics

Largest Supplier of Electrical and Electronic Components

Click to view similar products for [Circular MIL Spec Tools, Hardware & Accessories](#) *category:*

Click to view products by [Glenair](#) *manufacturer:*

Other Similar products are found below :

[0113-201-2025](#) [600-079-06](#) [600-146-06](#) [M10-101982-143](#) [M10-101982-163](#) [M10-101983-183](#) [M10-150912-083](#) [M10-454396-008](#)
[602GB18808](#) [CS3102A-22-14PW](#) [M2887615-CD](#) [627-009](#) [M38999/9-19B](#) [630A007NF083A](#) [630B007M051A](#) [630BJ003NF032H](#) [637-](#)
[149NF04B](#) [M39029/29-215](#) [6408-203V-09273](#) [6426-201-11343](#) [650FS002NF16](#) [660-008NF14S7-01](#) [660-009M22H8-03](#) [660-013NF19U6-](#)
[210](#) [660-015M10S6-17](#) [660-015NF10S5-01](#) [660-015NF14R3.5-01](#) [660-023NF19H6-19](#) [660-024NF11S12-01](#) [660-024NF11S3-01](#) [660-](#)
[024NF17S4-109](#) [660-050XM17F4-01](#) [660-068NF25R6-30G](#) [660-070M23S8-04](#) [660-073MTCH9-20](#) [M83723/61-18W](#) [M83723/61-218R](#)
[M83723/61-224W](#) [667-084-23C](#) [667-084-35C](#) [667-224NF16](#) [687-697NF-1](#) [M85049/94-10-A](#) [M85049/96-7-A](#) [M855282-10A01A](#)
[M85528/2-10B](#) [M855282-18A01A](#) [M85528/2-22A01A](#) [M85528/2-22AA](#) [710HS460NF2508](#)