



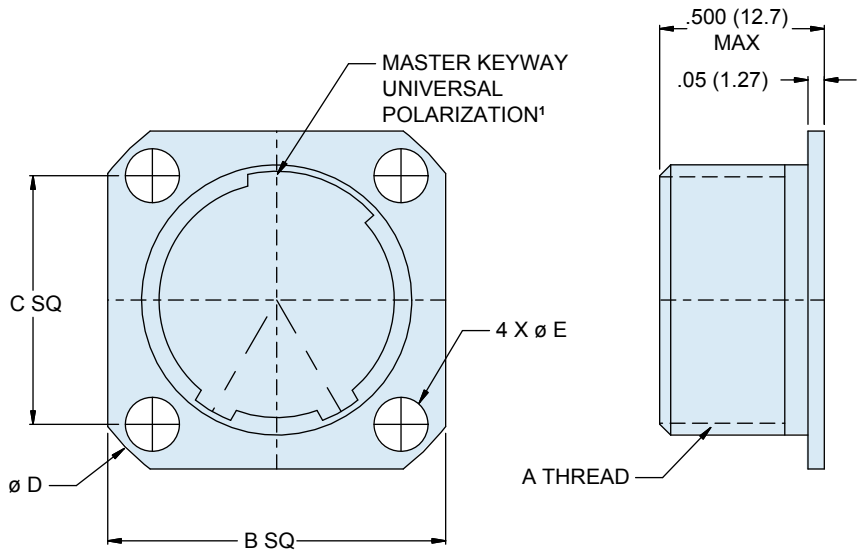
Series 80 Mighty Mouse Dummy Receptacle for 800 Connectors 809-173 Flange Mount - Dimensions



How To Order			
Sample Part Number	809-173	-M	10
Series	809-173		
Shell Material and Finish	C = Aluminum / Black Anodize (Non-Conductive) RoHS Compliant M = Aluminum / Electroless Nickel NF = Aluminum / Cadmium with Olive Drab ZN = Aluminum / Zinc-Nickel with Olive Drab Chromate ZNU = Aluminum / Zinc-Nickel with Black Chromate Z1 = Stainless Steel / Passivated ZB = Stainless Steel / Olive Drab Chromate over Cadmium ZC = Stainless Steel / Zinc Cobalt Alloy / Black Chromate		
Shell Size (See Table II)	5, 6, 7, 8, 9, 10, 12		

X

These flange mount style Series 800 dummy stowage receptacles provide a safe and convenient place to store and protect cabled connectors when not in use, due to routine maintenance or during repair of plug cables.



NOTES

1. Master keyway is rotated 90° clockwise for shell sizes 7 thru 12

Material/Finish:

- Shell: Al alloy or CRES
- Gasket: Fluorosilicone

Shell Size	A Thread	B Sq		C Sq		Ø D		Ø E	
		In.	mm.	In.	mm.	In.	mm.	In.	mm.
5	.3125-28 UN-2A	.527	13.4	.363	9.2	.680	17.3	.096 .091	2.4 2.3
6	.3750-28 UN-2A	.588	14.9	.423	10.7	.750	19.1	.096 .091	2.4 2.3
7	.4375-28 UNEF-2A	.680	17.3	.483	12.3	.880	22.4	.128	3.3
8	.5000-32 UN-2A	.710	18.0	.542	13.8	.938	23.8	.128	3.3
9	.5625-32 UN-2A	.938	23.8	.719	18.3	1.250	31.8	.128	3.3
10	.6250-32 UN-2A	.938	23.8	.719	18.3	1.250	31.8	.128	3.3
12	.7500-28 UN-2A	1.031	26.2	.812	20.6	1.375	34.9	.128	3.3

Dimensions in Inches (millimeters) are subject to change without notice.

X-ON Electronics

Largest Supplier of Electrical and Electronic Components

Click to view similar products for [Circular MIL Spec Tools, Hardware & Accessories](#) *category:*

Click to view products by [Glenair](#) *manufacturer:*

Other Similar products are found below :

[0113-201-2025](#) [600-079-06](#) [600-146-06](#) [M10-101983-183](#) [M10-454396-008](#) [602GB18808](#) [CS3102A-22-14PW](#) [M2887615-CD](#) [627-009](#)
[M38999/9-19B](#) [630A007NF083A](#) [630B007M051A](#) [630BJ003NF032H](#) [637-149NF04B](#) [M39029/29-215](#) [6408-203V-09273](#) [6426-201-11343](#)
[650FS002NF16](#) [660-008NF14S7-01](#) [660-009M22H8-03](#) [660-013NF19U6-210](#) [660-015M10S6-17](#) [660-015NF10S5-01](#) [660-015NF14R3.5-01](#)
[660-023NF19H6-19](#) [660-024NF11S12-01](#) [660-024NF11S3-01](#) [660-024NF17S4-109](#) [660-050XM17F4-01](#) [660-068NF25R6-30G](#) [660-](#)
[070M23S8-04](#) [660-073MTCH9-20](#) [M83723/61-18W](#) [M83723/61-218R](#) [M83723/61-224W](#) [667-084-23C](#) [667-084-35C](#) [667-224NF16](#) [687-](#)
[697NF-1](#) [M85049/94-10-A](#) [M85049/96-7-A](#) [M855282-10A01A](#) [M85528/2-10B](#) [M855282-18A01A](#) [M85528/2-22A01A](#) [M85528/2-22AA](#)
[710HS460NF2508](#) [780-001-22G12-SK](#) [780-002-19G12-SK](#) [780-002-20G12SK](#)