

Series 80 Mighty Mouse Dummy Storage Plug for 804 Connectors 809-213 Ordering Information



Dummy storage receptacles provide a safe a convenient place to store and protect cabled connectors when not in use due to routine maintenance or repair of plug cables.

NOTES:

1. Red stripe indicator for alignment during mating.
2. This storage plug mates with 804 series receptacles with compatible polarization.

Material and Finish:

- Shell, jam nut: Al Alloy or CRES
- O-rings: Fluorosilicone.

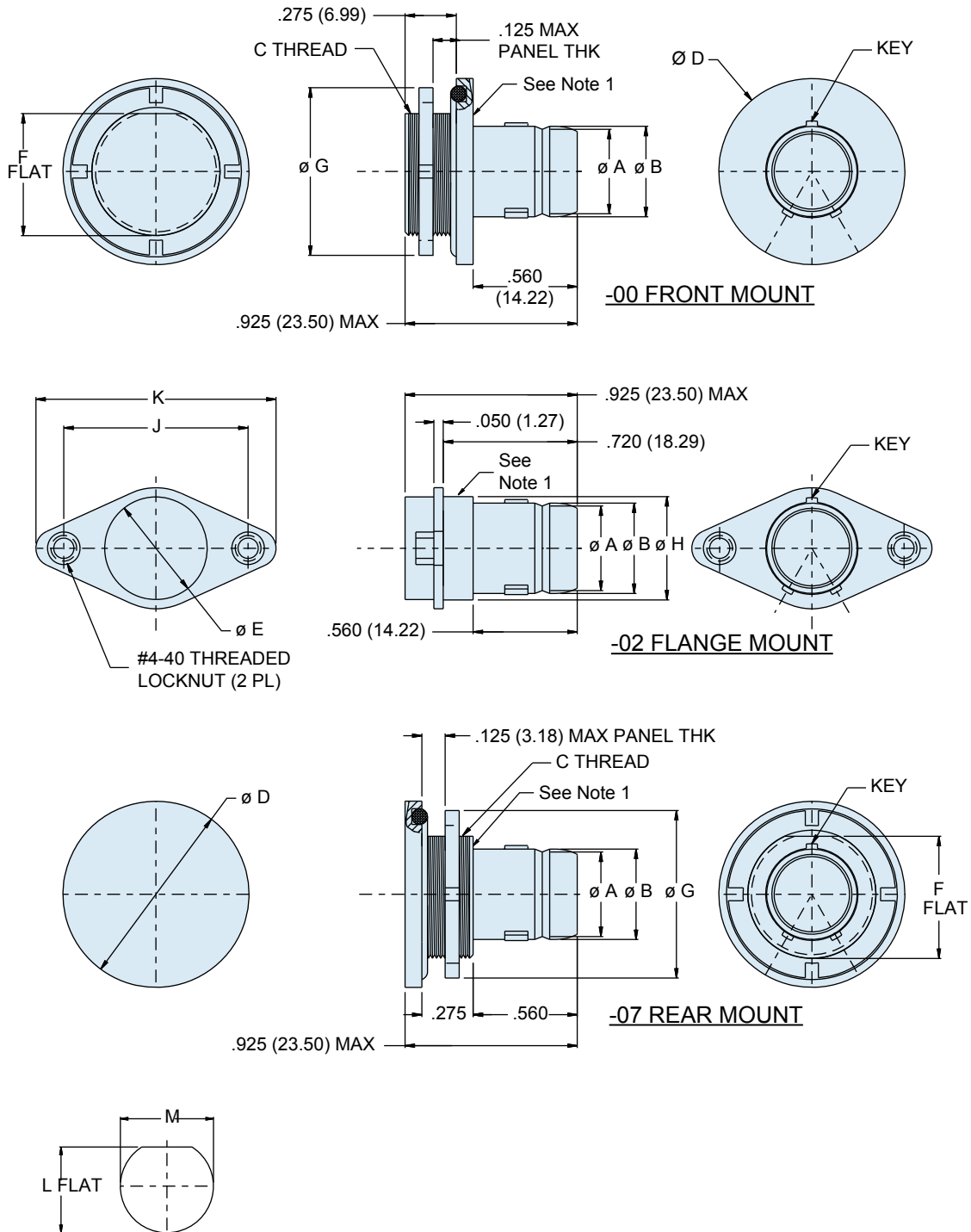
Alternate Key Positions		
Pos.	A°	B°
A	150°	210°
B	75°	210°
C	95°	230°
D	140°	275°
E	75°	275°
F	95°	210°

How To Order					
Sample Part Number	809-213	-07	M	9	A
Series	809-213				
Shell Style	-07 = Rear Mount, Jam Nut -02 = Flange Mount -00 = Front Mount, Jam Nut				
Shell Material and Finish	C = Aluminum / Black Anodize (Non-Conductive) RoHS Compliant M = Aluminum / Electroless Nickel NF = Aluminum / Cadmium with Olive Drab ZN = Aluminum / Zinc-Nickel with Olive Drab Chromate ZNU = Aluminum / Zinc-Nickel with Black over Electroless Nickel Z1 = Stainless Steel / Passivated ZB = Stainless Steel / Olive Drab Chromate over Cadmium ZC = Stainless Steel / Zinc Cobalt Alloy / Black Chromate				
Shell Size (See Table II)	5, 6, 7, 8, 9, 10, 11, 12, 14, 15				
Key Position	A, B, C, D, E, F Omit = Single Key (non-polarized)				

Shell size	Ø A		Ø B		C Thread	Ø D		Ø E		F Flat		Ø G		H		J		K		L Flat ± .005		Ø M	
	in.	mm.	in.	mm.		in.	mm.	in.	mm.	in.	mm.	in.	mm.	in.	mm.	in.	mm.	in.	mm.	in.	mm.	in.	mm.
	5	.219	5.56	.250		6.35	.4375-32 UN-2A	0.790	20.07	.244	6.20	.415	10.54	.562	14.27	.320	8.13	.755	19.18	1.055	26.80	.423	10.74
6	.282	7.16	.313	7.95	.5000-32 UN-2A	.830	21.08	.330	8.38	.467	11.86	.625	15.88	.385	9.78	.820	20.83	1.120	28.45	.475	12.07	.510	12.95
7	.351	8.92	.383	9.73	.6250-28 UN-2A	.910	23.11	.432	10.97	.594	15.09	.750	19.05	.450	11.43	.885	22.48	1.185	30.10	.602	15.29	.635	16.13
8	.398	10.11	.429	10.90	.6250-28 UN-2A	.955	24.26	.493	12.52	.594	15.09	.750	19.05	.495	12.57	.930	23.62	1.230	31.24	.602	15.29	.635	16.13
9	.454	11.53	.486	12.34	.6875-28 UN-2A	1.000	25.40	.551	14.00	.655	16.64	.812	20.62	.555	14.10	.990	25.15	1.290	32.77	.663	16.84	.698	17.73
10	.529	13.44	.563	14.30	.7500-28 UN-2A	1.085	27.56	.620	15.75	.721	18.31	.875	22.23	.625	15.88	1.060	26.92	1.360	34.54	.729	18.52	.760	19.30
11	.587	14.91	.618	15.70	.8125-28 UN-2A	1.140	28.96	.662	16.81	.790	20.06	.938	23.83	.690	17.53	1.120	28.45	1.420	36.07	.798	20.27	.823	20.90
12	.646	16.41	.676	17.17	.8750-28 UN-2A	1.180	29.97	.703	17.86	.843	21.41	1.000	25.40	.750	19.05	1.185	30.10	1.485	37.72	.851	21.62	.885	22.48
14	.768	19.51	.800	20.32	1.000-28 UN-2A	1.325	33.66	.863	21.92	.968	24.59	1.125	28.58	.865	21.97	1.300	33.02	1.600	40.64	.976	24.79	1.010	25.65
15	.828	21.03	.860	21.84	1.0625-20 UN-2A	1.390	35.31	.912	23.16	1.029	26.14	1.188	30.18	.930	23.62	1.365	34.67	1.665	42.29	1.037	26.34	1.072	27.23

Dimensions in Inches (millimeters) are subject to change without notice.

Series 80 Mighty Mouse Dummy Storage Plug for 804 Connectors 809-213 Ordering Information



X

Dimensions in Inches (millimeters) are subject to change without notice.

X-ON Electronics

Largest Supplier of Electrical and Electronic Components

Click to view similar products for [Circular MIL Spec Tools, Hardware & Accessories](#) *category:*

Click to view products by [Glenair](#) *manufacturer:*

Other Similar products are found below :

[0113-201-2025](#) [600-079-06](#) [600-146-06](#) [M10-101982-143](#) [M10-101982-163](#) [M10-101983-183](#) [M10-150912-083](#) [M10-454396-008](#)
[602GB18808](#) [CS3102A-22-14PW](#) [M2887615-CD](#) [627-009](#) [M38999/9-19B](#) [630A007NF083A](#) [630B007M051A](#) [630BJ003NF032H](#) [637-](#)
[149NF04B](#) [M39029/29-215](#) [6408-203V-09273](#) [6426-201-11343](#) [650FS002NF16](#) [660-008NF14S7-01](#) [660-009M22H8-03](#) [660-013NF19U6-](#)
[210](#) [660-015M10S6-17](#) [660-015NF10S5-01](#) [660-015NF14R3.5-01](#) [660-023NF19H6-19](#) [660-024NF11S12-01](#) [660-024NF11S3-01](#) [660-](#)
[024NF17S4-109](#) [660-050XM17F4-01](#) [660-068NF25R6-30G](#) [660-070M23S8-04](#) [660-073MTCH9-20](#) [M83723/61-18W](#) [M83723/61-218R](#)
[M83723/61-224W](#) [667-084-23C](#) [667-084-35C](#) [667-224NF16](#) [687-697NF-1](#) [M85049/94-10-A](#) [M85049/96-7-A](#) [M855282-10A01A](#)
[M85528/2-10B](#) [M855282-18A01A](#) [M85528/2-22A01A](#) [M85528/2-22AA](#) [710HS460NF2508](#)