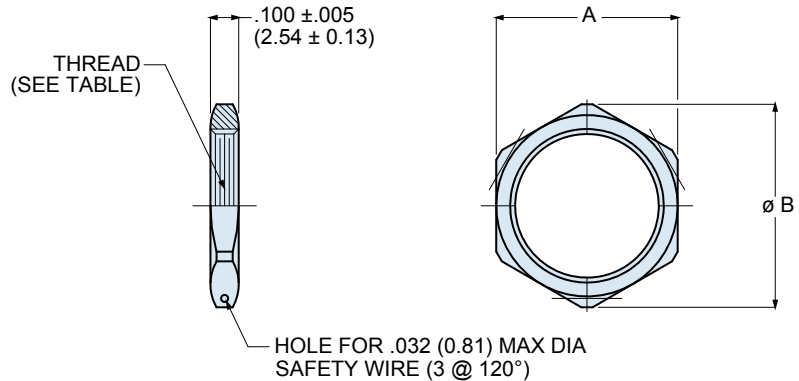


Series 811
Mighty Mouse High Density Accessories
Hex Nuts 809-035 / Flange Gasket 809-255



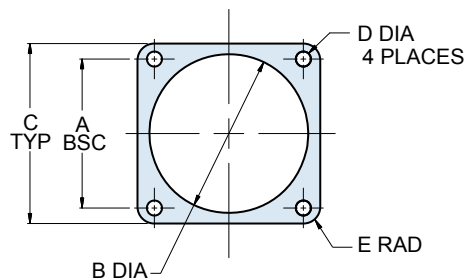
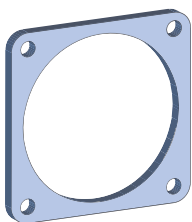
Hex Jam Nuts for Mighty Mouse Receptacles

Replace low-profile spanner-style jam nuts with hex nuts for applications where jam nuts must be safety-wired to prevent loosening. These hex nuts fit all standard Series 811 jam nut receptacles. Use Glenair Modification Code 501 to specify hex nuts to be supplied with connector. The jam nut tightening torque for Series 811 connectors is 20 in-lbs minimum to 25 in-lbs maximum.



| Shell Size | Thread Size | Part Number | | | | | | Dimensions | | | |
|------------|---------------|--------------------|--------------------|-------------------|--------------|-----------------|-------------------|------------|-------|--------|-------|
| | | Aluminum | | | | Stainless Steel | | A Hex | | B Dia. | |
| | | Electroless Nickel | Olive Drab Cadmium | Black Zinc Nickel | Nickel-Ptfe | Passivated | Black Zinc-Cobalt | in. | mm. | in. | mm. |
| 5 | .3750-28 UN | 809-035M04W | 809-035NF04W | 809-035ZNU04W | 809-035MT04W | 809-035Z104W | 809-035ZC04W | .500 | 12.70 | .547 | 13.89 |
| 6 | .4375-28 UNEF | 809-035M05W | 809-035NF05W | 809-035ZNU05W | 809-035MT05W | 809-035Z105W | 809-035ZC05W | .5625 | 14.29 | .620 | 15.75 |
| 7 and 8 | .5625-32 UN | 809-035M07W | 809-035NF07W | 809-035ZNU07W | 809-035MT07W | 809-035Z107W | 809-035ZC07W | .6875 | 17.46 | .755 | 19.18 |
| 9 | .6250-28 UN | 809-035M08W | 809-035NF08W | 809-035ZNU08W | 809-035MT08W | 809-035Z108W | 809-035ZC08W | .750 | 19.05 | .830 | 21.08 |

Flange Gaskets for Series 811-003-02 and 811-004-02 Mighty Mouse Receptacles



These flange gaskets provide sealing between square flange receptacles and the mounting panel. Choose fluorosilicone, Viton®, or conductive fluorosilicone material (Chomerics 1298 silver-filled). Gaskets are .032" (0.8) thick.

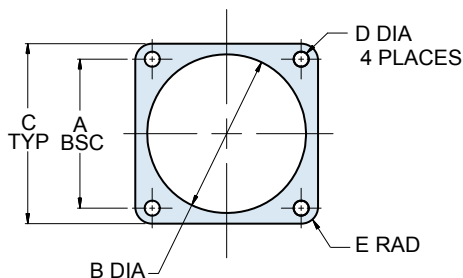
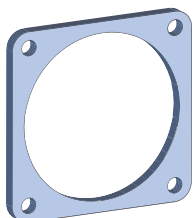
| Shell Size | Part Number | | | Dimensions | | | | | | | | | |
|------------|----------------|------------|---------------------------|------------|-------|--------|-------|-----------|-------|--------|------|--------|------|
| | Fluorosilicone | Viton® | Conductive Fluorosilicone | A Bsc. | | B Dia. | | C Square. | | D Dia. | | E Rad. | |
| | | | | In. | mm. | In. | mm. | In. | mm. | In. | mm. | In. | mm. |
| 5 | 809-255F01 | 809-255V01 | 809-255X01 | .440 | 11.17 | .350 | 8.89 | .625 | 15.87 | .093 | 2.36 | .093 | 2.36 |
| 6 | 809-255F02 | 809-255V02 | 809-255X02 | .530 | 13.46 | .390 | 9.91 | .725 | 18.41 | .093 | 2.36 | .093 | 2.36 |
| 7 | 809-255F03 | 809-255V03 | 809-255X03 | .600 | 15.24 | .500 | 12.70 | .800 | 20.32 | .093 | 2.36 | .093 | 2.36 |
| 8 | 809-255F04 | 809-255V04 | 809-255X04 | .650 | 16.51 | .560 | 14.22 | .850 | 21.59 | .093 | 2.36 | .093 | 2.36 |
| 9 | 809-255F05 | 809-255V05 | 809-255X05 | .750 | 19.05 | .620 | 15.75 | .950 | 24.13 | .093 | 2.36 | .093 | 2.36 |

Dimensions in Inches (millimeters) are subject to change without notice.



Series 811 Mighty Mouse High Density Accessories and Replacement O-Ring for Jam Nut Receptacle Flange Gasket 809-255 / O-Ring

Flange Gaskets for Series 811-005-02 and 811-006-02 Mighty Mouse Receptacles

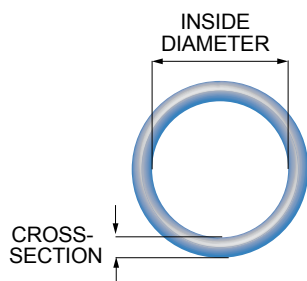


These flange gaskets provide sealing between square flange receptacles and the mounting panel. Choose fluorosilicone, Viton®, or conductive fluorosilicone material (Chomerics 1298 silver-filled). Gaskets are .032" (0.8) thick.

| Shell Size | Part Number | | | Dimensions | | | | | | | | | |
|------------|----------------|------------|---------------------------|------------|-------|--------|-------|-----------|-------|--------|------|--------|------|
| | Fluorosilicone | Viton® | Conductive Fluorosilicone | A Bsc. | | B Dia. | | C Square. | | D Dia. | | E Rad. | |
| | | | | In. | mm. | In. | mm. | In. | mm. | In. | mm. | In. | mm. |
| 5 | 809-255F11 | 809-255V11 | 809-255X11 | .440 | 11.17 | .360 | 9.14 | .625 | 15.87 | .093 | 2.36 | .093 | 2.36 |
| 6 | 809-255F12 | 809-255V12 | 809-255X12 | .530 | 13.46 | .410 | 10.41 | .725 | 18.41 | .093 | 2.36 | .093 | 2.36 |
| 7 | 809-255F13 | 809-255V13 | 809-255X13 | .600 | 15.24 | .520 | 13.21 | .800 | 20.32 | .093 | 2.36 | .093 | 2.36 |
| 8 | 809-255F14 | 809-255V14 | 809-255X14 | .650 | 16.51 | .570 | 14.47 | .850 | 21.59 | .093 | 2.36 | .093 | 2.36 |
| 9 | 809-255F15 | 809-255V15 | 809-255X15 | .750 | 19.05 | .660 | 16.76 | .950 | 24.13 | .093 | 2.36 | .093 | 2.36 |

O-Rings for Mighty Mouse Jam Nut Receptacles

Replace lost or damaged O-rings with standard fluorosilicone O-rings. Or, choose EPDM o-rings for improved resistance to hydraulic fluids. Upgrade to silver-filled conductive O-rings for improved EMI protection.



O-rings for Series 811 Jam Nut Receptacles (Style 07)

| Shell Size | Part Number | | | | Dimensions | | | |
|------------|-----------------|-------------|-----------------------------------|---|-----------------|-------|---------------|------|
| | Fluoro-silicone | EPDM | Conductive Silicone Cho-Seal 1285 | Conductive Fluorosilicone Cho-Seal 1298 | Inside Diameter | | Cross-Section | |
| | | | | | In. | mm. | In. | mm. |
| 5 | 809-054-05F | 809-054-05E | 249-003-801-05B | 249-003-801-05C | .394 | 10.01 | .047 | 1.19 |
| 6 | 809-054-06F | 809-054-06E | 249-003-801-06B | 249-003-801-06C | .459 | 11.66 | .049 | 1.24 |
| 7 | 809-054-07F | 809-054-07E | 249-003-801-07B | 249-003-801-07C | .578 | 14.68 | .040 | 1.02 |
| 8 | 809-054-08F | 809-054-08E | 249-003-801-08B | 249-003-801-08C | .578 | 14.68 | .040 | 1.02 |
| 9 | 809-054-09F | 809-054-09E | 249-003-801-09B | 249-003-801-09C | .650 | 16.51 | .045 | 1.14 |

Dimensions in Inches (millimeters) are subject to change without notice.

X-ON Electronics

Largest Supplier of Electrical and Electronic Components

Click to view similar products for [Circular MIL Spec Tools, Hardware & Accessories](#) *category:*

Click to view products by [Glenair](#) *manufacturer:*

Other Similar products are found below :

[0113-201-2025](#) [600-079-06](#) [600-146-06](#) [M10-101982-143](#) [M10-101982-163](#) [M10-101983-183](#) [M10-150912-083](#) [M10-454396-008](#)
[602GB18808](#) [CS3102A-22-14PW](#) [M2887615-CD](#) [627-009](#) [M38999/9-19B](#) [630A007NF083A](#) [630B007M051A](#) [630BJ003NF032H](#) [637-](#)
[149NF04B](#) [M39029/29-215](#) [6408-203V-09273](#) [6426-201-11343](#) [650FS002NF16](#) [660-008NF14S7-01](#) [660-009M22H8-03](#) [660-013NF19U6-](#)
[210](#) [660-015M10S6-17](#) [660-015NF10S5-01](#) [660-015NF14R3.5-01](#) [660-023NF19H6-19](#) [660-024NF11S12-01](#) [660-024NF11S3-01](#) [660-](#)
[024NF17S4-109](#) [660-050XM17F4-01](#) [660-068NF25R6-30G](#) [660-070M23S8-04](#) [660-073MTCH9-20](#) [M83723/61-18W](#) [M83723/61-218R](#)
[M83723/61-224W](#) [667-084-23C](#) [667-084-35C](#) [667-224NF16](#) [687-697NF-1](#) [M85049/94-10-A](#) [M85049/96-7-A](#) [M855282-10A01A](#)
[M85528/2-10B](#) [M855282-18A01A](#) [M85528/2-22A01A](#) [M85528/2-22AA](#) [710HS460NF2508](#)