

## Heat Shrinkable Boots



**Protect Your Cable Harness** with semi-rigid heat-shrinkable boots. These easy-to-use boots provide excellent electrical, mechanical and environmental protection. Made from flame-retardant elastomeric material, these adhesive-lined boots are resistant to high temperature and chemicals. Heating the boot causes the boot to shrink onto the connector and cable. An adhesive lining bonds the boot to the connector and cable and fills small gaps for a complete seal. Choose straight cable exit or right angle exit.

**Style 1**



**Style 2**

**1** Straight boot, adhesive-lined. Fits all CB Series PogoPin connectors.

**2** Right angle boot for 90° cable exit. Fits all CB Series PogoPin Connectors.

## SPECIFICATIONS

**Standard Material** Fluid resistant cross-linked elastomer per VG95343 Part 6

**Low Toxicity Material** Fluid resistant cross-linked elastomer per NAVSEA 5617649

**Adhesive** Polyamide hot melt

**Min. Shrink Temperature** +135°C

**Installation Temperature** +175°C.

**Temperature Range** -55°C to +105°C

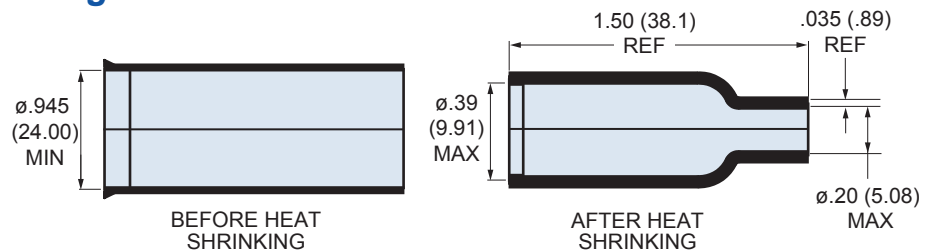
**Solvent Resistance** Saline – Excellent  
Hydraulic Fluid – Very Good  
Lubricating Oil – Very Good  
Aviation Fuel – Very Good  
Gasoline – Very Good  
Diesel – Fair  
De-Icing Fluid – Excellent

**Flammability** Self-extinguishing

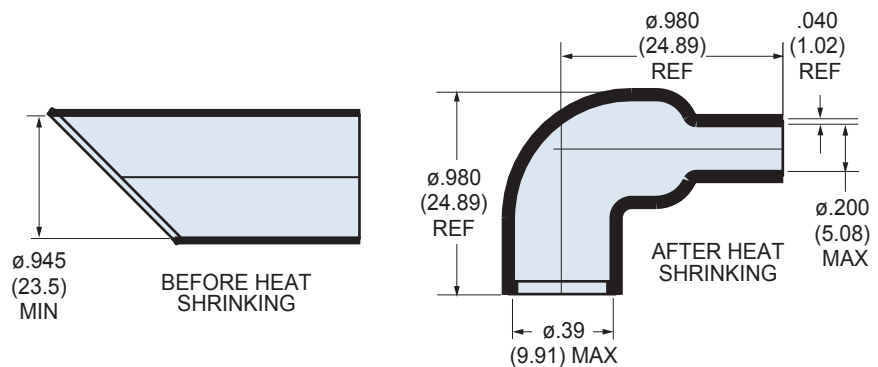
**Dielectric Strength** 480 V/mil

Figure	Configuration	Fluid Resistant Elastomer	Low-Smoke Zero Halogen
1	Straight	<b>809S060-3</b>	<b>809S060-3H</b>
2	Right Angle	<b>809A060-3</b>	<b>809A060-3H</b>

### Straight Boot Dimensions



### Right Angle Boot Dimensions



All dimensions in millimeters (mm). Information subject to change without notice.

## X-ON Electronics

Largest Supplier of Electrical and Electronic Components

*Click to view similar products for [Heat Shrink Cable Boots & End Caps](#) category:*

*Click to view products by [Glenair](#) manufacturer:*

Other Similar products are found below :

[577159N001](#) [618803-000](#) [645494-000](#) [CX4132-000](#) [687025-000](#) [D33548-000](#) [F27131-000](#) [F85868-000](#) [770-005S105](#) [770-010Y106W1](#)  
[770-013210W1](#) [770-013311](#) [770-013312](#) [770-018S202W1](#) [770-018S205W1](#) [806542N001](#) [808059-000](#) [808362-000](#) [809125-000](#) [809218-000](#)  
[812014-000](#) [812047-000](#) [813767N002](#) [814741-000](#) [819117N001](#) [823026-000](#) [841189N001](#) [861471-000](#) [950764-000](#) [957073-000](#) [982033-2](#)  
[A77813-000](#) [D96192-000](#) [EN3BOOTLKIT](#) [1954015-1](#) [200W531-3-0](#) [202A163-4-0-CS5067](#) [202A343-3-00-0](#) [202B221-13-0](#)  
[202B563-25-07-0](#) [202D121-4-01/86-0](#) [202D211-3-22/42-0](#) [202D221-4-0-CS8970](#) [202D221-4-22/180-0](#) [202D263-25-08-0](#) [202E334-51-0-](#)  
[CS5324](#) [202E336-71-0](#) [202F211-50-22-0-CS8474](#) [202F242-51-04/164-0](#) [202K132-25-01/225-0CS8387](#)