

809A060 Series 80 Mighty Mouse Right Angle Boot How to Order



Series 80 Mighty Mouse right angle shrink boots provide mechanical and environmental protection from damage and debris. Boots are available in four material options with matched adhesive. Boots are made to fit Glenair Series 80 Mighty Mouse connectors. All adhesive lined and unlined shrink boots are RoHS compliant. Shrink boots are water-tight when equipped with factory installed or user-installed adhesives. Lipped boots lock into boot groove located on adapter or integrated connector backshell. Choose boot size based on adapter or connector accessory thread diameter and cable diameter.

How to Order							
Sample Part Number	809	A	060	-4	H	U	-PP
Product Series	809 = Series 80 shrink boot						
Angular Function	A = 90°						
Basic Number	060 = lipped boot						
Dash Number	1, 2, 3, 4, 5, 6; See dimensions table						
Material	Omit for type 1 H = type 2 L = type 9 S = type 8 see material and adhesive table						
Adhesive Options	Omit for recommended adhesive OR U = no adhesive R = epoxy pre-coat adhesive see material and adhesive table						
Potting Port	PP = potting port Omit for none						

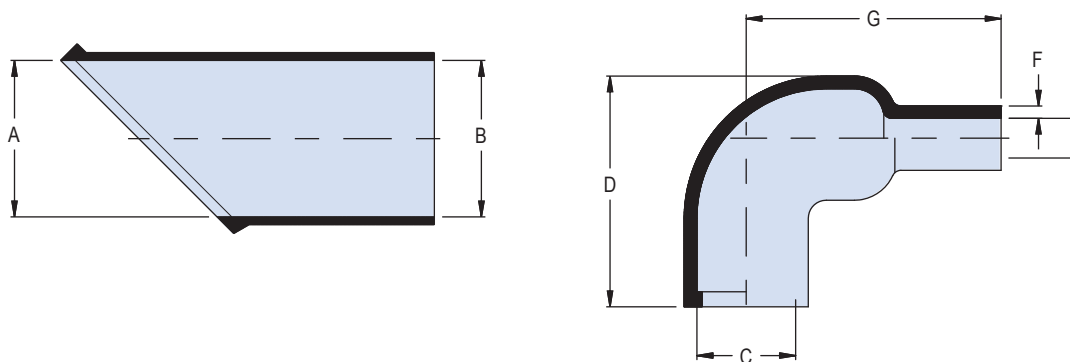
Material and Adhesive				
Material Code (Type)	Compound	Material Description	Recommended Adhesive	Adhesive Option
Omit (Type 1; Standard)	2025	Fluid Resistant Semi-Rigid Elastomer	W1: -55°C to +125°C pre-coat hot melt; high performance	R or U
H (Type 2)	2010	NAVSEA 5617649 ZH/LS Fire Hazard Material	W1: -55°C to +125°C pre-coat hot melt; high performance	R or U
L (Type 9)	2013	Low Temp Flexible Polyolefin	W2: -55°C to +70°C pre-coat hot melt; low temperature	U
S (Type 8)	2008	Low Outgassing Fluoropolymer	U: -75°C to +150°C two part epoxy 779-001 two part epoxy, sold separately	None

NOTES

1. See **Modification Codes** listed in Section A for material color options available for **Type 1 (compound 2025)** material.
2. See **Reference Information** pages in this section for material and adhesive selection guides

809A060 Series 80 Mighty Mouse Right Angle Boot Dimensions

Lipped Straight Adapter Shrink Boots: Dimensions

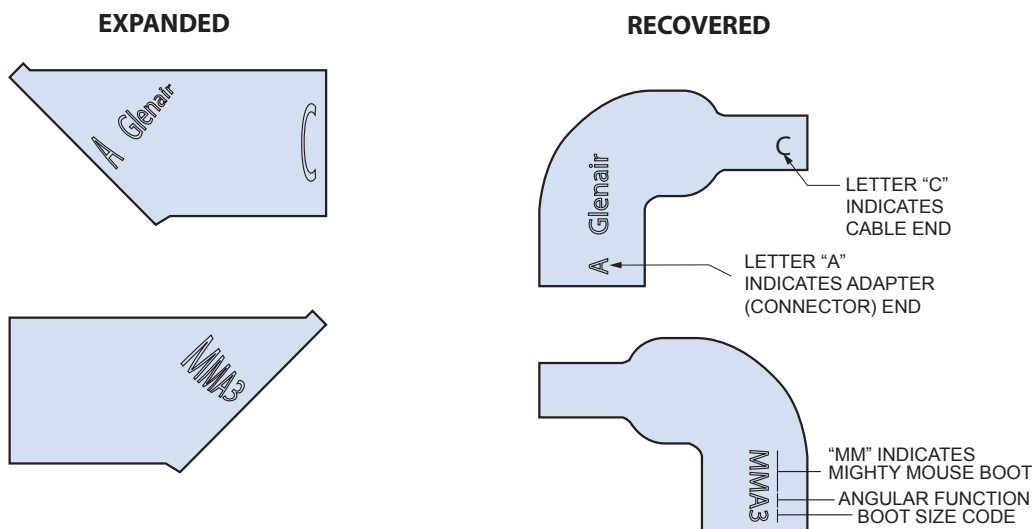


Dimensions											
Dash No	Shell Size		A Min Dia	B Min Dia	C Max*	D Ref	E Max	F Ref	G Ref	Cable Range	
	800, 801, 802, 803, 804	805								Max	Min
1	5/6	8	.390 (9.91)	.390 (9.91)	.26 (6.60)	.79 (20.07)	.095 (2.41)	.032 (.81)	.75 (19.05)	.23 (5.84)	.10 (2.54)
2	7	9	.669 (16.99)	.669 (16.99)	.31 (7.87)	.79 (20.07)	.14 (3.56)	.032 (.81)	.79 (20.07)	.50 (12.70)	.17 (4.32)
3	8/9	10/11	.945 (24.00)	.945 (24.00)	.39 (9.91)	.98 (24.89)	.20 (5.08)	.040 (1.02)	.98 (24.89)	.80 (20.32)	.24 (6.10)
4	10/11 12/13	12/15	1.181 (30.00)	1.181 (30.00)	.53 (13.46)	1.06 (26.92)	.22 (5.59)	.046 (1.17)	1.26 (32.00)	1.02 (25.91)	.27 (6.86)
5	14/15 16/17	18/19	1.260 (32.00)	1.260 (32.00)	.71 (18.03)	1.26 (32.00)	.28 (7.11)	.052 (1.32)	1.54 (39.12)	1.12 (28.45)	.30 (7.62)
6	19/21	23	1.417 (35.99)	1.417 (35.99)	.90 (22.86)	1.50 (38.10)	.33 (8.38)	.052 (1.32)	1.93 (49.02)	1.20 (30.48)	.35 (8.89)

For materials Type 2 and Type 9, dimension 'B' is nominal

*Recovered boot dimensions accommodate a band and braid for shielded applications.

Lipped Right Angle Shrink Boots: Part Marking, Raised Lettering



X-ON Electronics

Largest Supplier of Electrical and Electronic Components

Click to view similar products for [Heat Shrink Cable Boots & End Caps](#) category:

Click to view products by [Glenair](#) manufacturer:

Other Similar products are found below :

[577159N001](#) [618803-000](#) [645494-000](#) [CX4132-000](#) [687025-000](#) [D33548-000](#) [F27131-000](#) [F85868-000](#) [770-005S105](#) [770-010Y106W1](#)
[770-013210W1](#) [770-013311](#) [770-013312](#) [770-018S202W1](#) [770-018S205W1](#) [806542N001](#) [808059-000](#) [808362-000](#) [809125-000](#) [809218-000](#)
[812014-000](#) [812047-000](#) [813767N002](#) [814741-000](#) [819117N001](#) [823026-000](#) [841189N001](#) [861471-000](#) [950764-000](#) [957073-000](#) [982033-2](#)
[A77813-000](#) [D96192-000](#) [EN3BOOTLKIT](#) [1954015-1](#) [200W531-3-0](#) [202A163-4-0-CS5067](#) [202A343-3-00-0](#) [202B221-13-0](#)
[202B563-25-07-0](#) [202D121-4-01/86-0](#) [202D211-3-22/42-0](#) [202D221-4-0-CS8970](#) [202D221-4-22/180-0](#) [202D263-25-08-0](#) [202E334-51-0-](#)
[CS5324](#) [202E336-71-0](#) [202F211-50-22-0-CS8474](#) [202F242-51-04/164-0](#) [202K132-25-01/225-0CS8387](#)