



Series 970 PowerTrip™ Connectors and Accessories

Contacts and Tools

Crimp Contacts

CRIMP CONTACTS

Series 970 PowerTrip™ contacts for size #16 through Size #1/0 wire. Size #8, #4 and #1/0 contacts are high conductivity copper alloy (IACS >90%) with silver or gold plating. Size #12 and #16 contacts are copper alloy with gold over palladium finish. Size #1/0, 4 and 8 socket contacts feature low resistance, high durability louverband springs. Terminate to wire with standard crimp tools. Contacts are snap-in, rear-release and meet the performance requirements of SAE AS39029.



Pin Contact



Socket Contact

- LouverBand Springs
- High Conductivity Alloy
- Crimp Termination
- Gold or Silver Plating

Crimp Contacts

Size	Wire Size	Finish	Pin Contact Part Number	Socket Contact Part Number	Socket Contact Type
16	#16-#20	Gold/Palladium	850-037-16	850-038-16	Split-Tine
12	#12-#14	Gold/Palladium	850-037-12	850-038-12	Split-Tine
8	#8	Silver	850-026-8-8-1	850-027-8-8-1	LouverBand
		Gold	850-026-8-8-2	850-027-8-8-2	LouverBand
	#10	Silver	850-026-8-10-1	850-027-8-10-1	LouverBand
		Gold	850-026-8-10-2	850-027-8-10-2	LouverBand
4	#4	Silver	850-026-4-4-1	850-027-4-4-1	LouverBand
		Gold	850-026-4-4-2	850-027-4-4-2	LouverBand
	#6	Silver	850-026-4-6-1	850-027-4-6-1	LouverBand
		Gold	850-026-4-6-2	850-027-4-6-2	LouverBand
1/0	#1/0	Silver	850-026-0-0-1	850-027-0-0-1	LouverBand
		Gold	850-026-0-0-2	850-027-0-0-2	LouverBand
	#2	Silver	850-026-0-2-1	850-027-0-2-1	LouverBand
		Gold	850-026-0-2-2	850-027-0-2-2	LouverBand

Tools for Contact Crimping and Installation

Contact Size	Insertion/Extraction Tool	Extraction Tool	Crimp Tool	Positioner	Die Set	Locator
#16	809-131	—	809-136	859-032	—	—
#12	809-132	—	809-136	859-032	—	—
#8	—	859-022	859-025	—	859-026	859-029
#4	—	859-023	859-025	—	859-027	859-030
#1/0	—	859-024	859-025	—	859-028	859-031

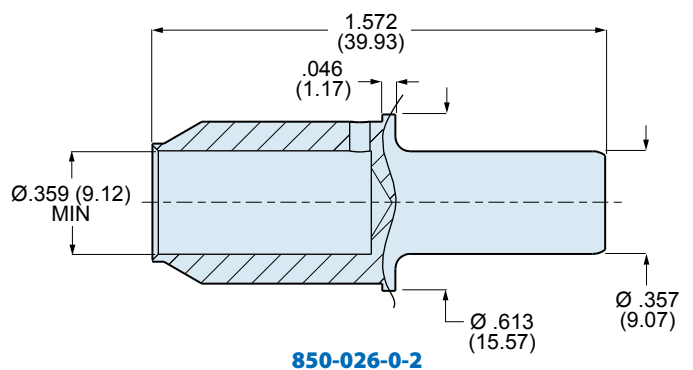
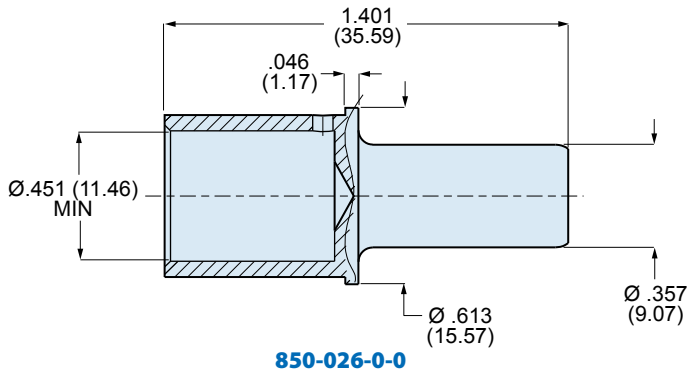
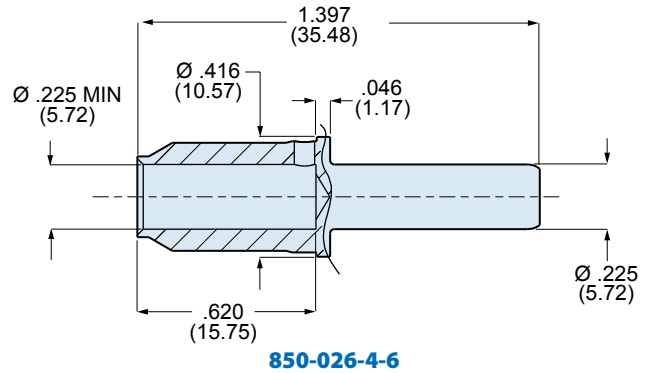
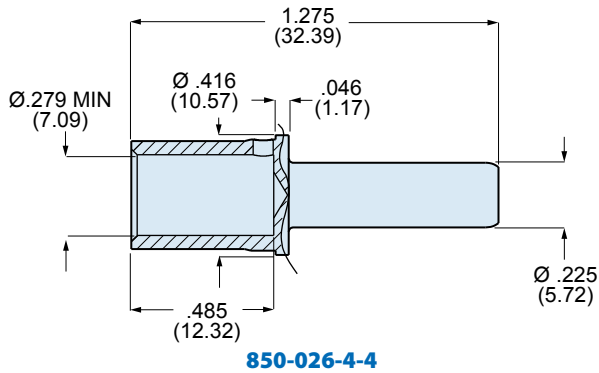
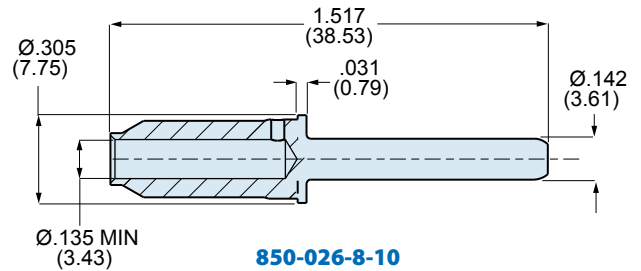
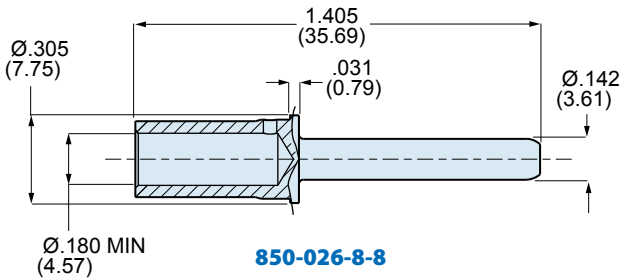
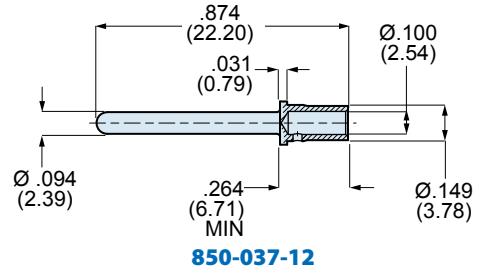
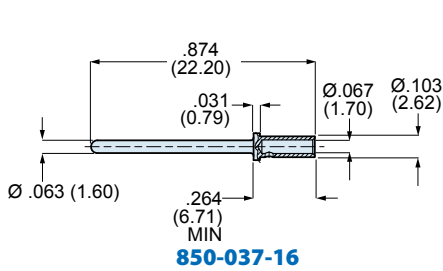
Material and Finish Specifications

Pin, Size #16 and #12	Copper alloy, gold flash over palladium finish
Pin, Size #8, #4 and #1/0	High conductivity copper alloy, gold or silver finish over nickel
Socket, Size #16 and #12	Copper alloy, stainless steel hood, gold flash over palladium finish
Socket, Size #8, #4 and #1/0	High conductivity copper alloy, beryllium copper louverband spring, gold or silver finish over nickel

Contact Current Rating and Resistance

Contact and Wire Size	Current Rating at 20° C (Amperes)	Current Rating at 80° C (Amperes)	Max. Contact Resistance (milliohms)
#16	22	13	6.0
#12	41	23	3.0
#8	73	46	1.0
#4	135	80	0.5
#1/0	245	150	0.3

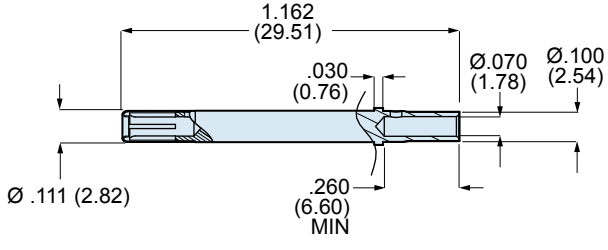
PIN CONTACTS



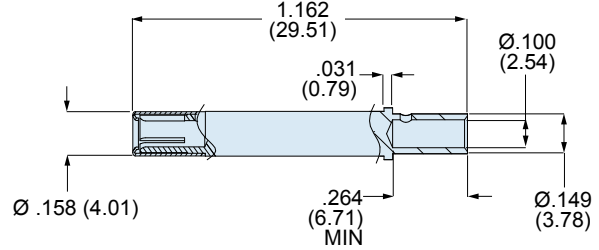


Series 970 PowerTrip™ Connectors and Accessories
 Contacts and Tools
 Crimp Contacts

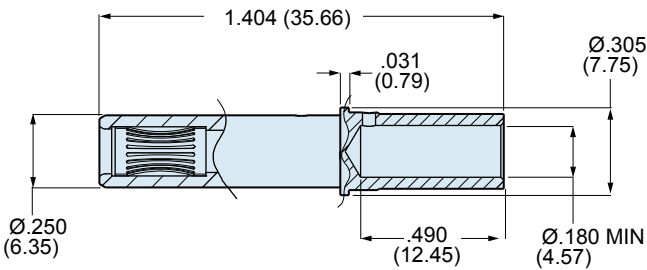
SOCKET CONTACTS



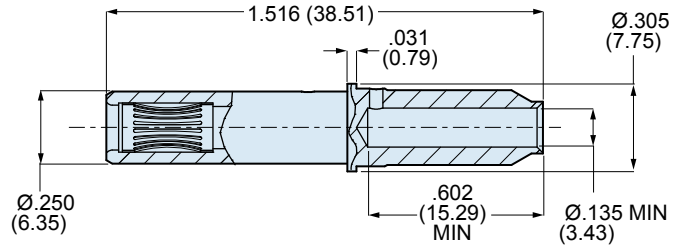
850-038-16



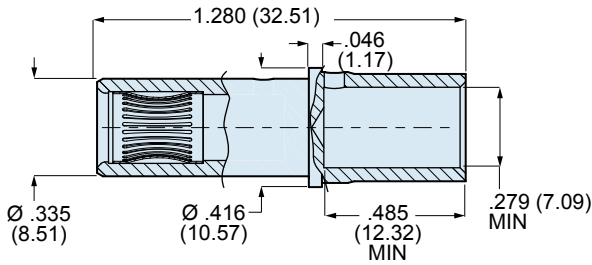
850-038-12



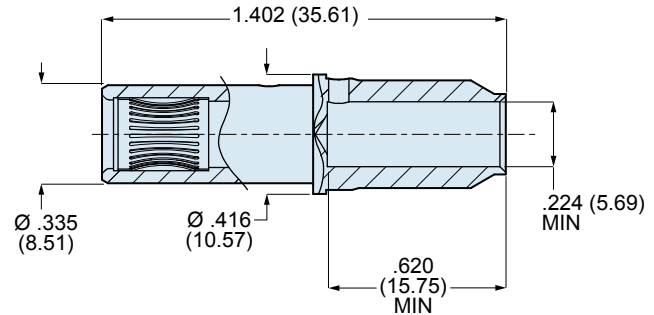
850-027-8-8



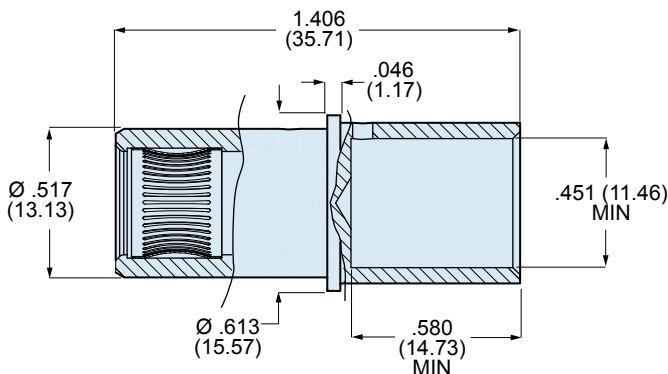
850-027-8-10



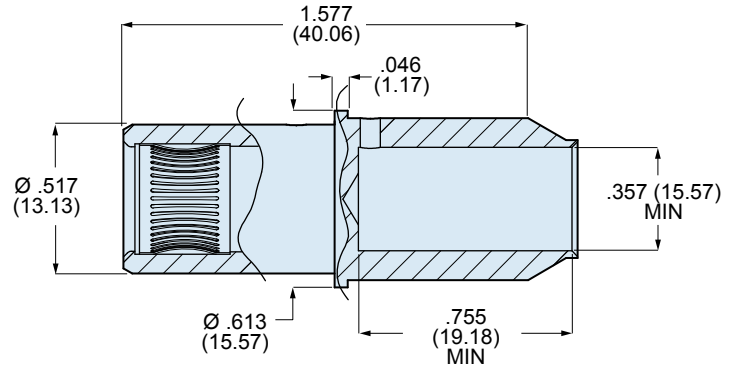
850-027-4-4



850-027-4-6



850-027-0-0



850-027-0-2

X-ON Electronics

Largest Supplier of Electrical and Electronic Components

Click to view similar products for [Circular MIL Spec Contacts](#) category:

Click to view products by [Glenair](#) manufacturer:

Other Similar products are found below :

[006-1189-20](#) [71-VEAM](#) [809-023](#) [809-111](#) [811393-000](#) [850-014](#) [97-45-1418P-5\(920\)](#) [97-45-1418S-4](#) [D-602-0106CS076](#) [AIC12-14P](#)
[AIC16-16PG](#) [AIC8-12P](#) [AIC8-8SG](#) [AIC8-8SRAD](#) [1495044-1](#) [BACC47CP2T](#) [BACC47CP3S](#) [BACC47DP4](#) [BACC47GC1A](#) [BACC47GN1](#)
[16968/2C](#) [173-900245-91](#) [21-033909-028](#) [241611N001](#) [2560-220-2031](#) [27915-38T9](#) [27964-38T112](#) [2M809-118](#) [97-67-36-20](#) [AIC12-16P](#)
[AIC16-14SG](#) [AIC16-18PG](#) [AIC16-18S](#) [AIC16-20PG](#) [AIC4-4PG](#) [CE102S-18](#) [M39029/30-221](#) [M39029/77-430](#) [416-2020-088I](#) [MDM-](#)
[21SH003B-F222](#) [48-100-5014P-02](#) [BA-4020-50LD](#) [BA-4120-50LD](#) [BACC47CN2](#) [BACC47GC3A](#) [BACC47GD3A](#) [BACC47GM1](#) [52G137](#)
[REV A](#) [CB2-18-21PS](#) [D-602-1116CS2727](#)