

# Mighty Mouse Connectors with Size #8 Quadrax, Twinax, Coax or Power Contacts

858-003 and 858-004 Size #8 El Ochito® Contacts for CAT 6a Cable



Mighty Mouse with #8 Contacts

## Size #8 El Ochito® contacts for 10g Base-T Cat 6a ethernet 4 pair cable



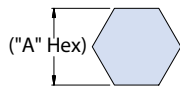
**Fig. 1**  
Pin Contact  
858-003



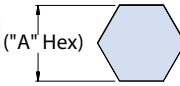
**Fig. 2**  
Socket Contact  
858-004



**Fig. 3**  
Sealing Boot  
687-643



858-003

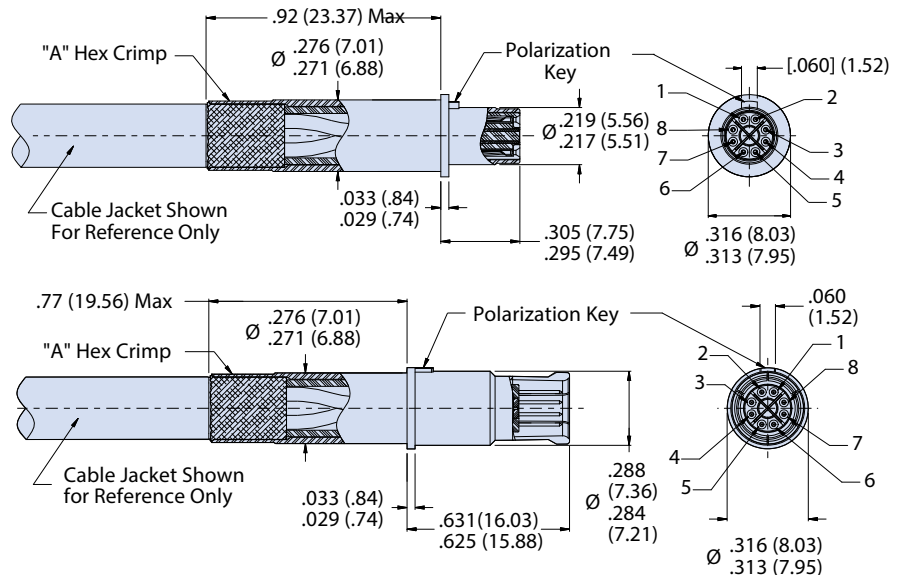


858-004

El Ochito® contacts accept PIC E6A3826 cable. These snap-in, rear release contacts fit Glenair Series 80 Mighty Mouse connectors and Glenair MIL-DTL-38999 Series I, III and IV connectors with size #8 cavities. Crimp termination. Gold-plated copper alloy, Fluoropolymer insulator. 100 Ohms nominal, 500 Vrms DWV, 5000 MegOhms min at 200 VDC. Supplied unassembled. Sealing boot can be ordered with contact or separately.

Fig.	Description	Cable Accommodation	Part Number Only	Part Number Contact and Sealing Boot
Fig. 1	Pin	PIC E6A3826	858-003-01	858-003-01F
Fig. 2	Socket	PIC E6A3826	858-004-01;	858-004-01F
Fig. 3	Sealing Boot	PIC E6A3826	687-643-8-2	687-643-8-2

### Fully Assembled Contact Shown for Reference Only



### Contact Removal Tool

Plastic tool extracts wired contact from connector. First, remove sealing boot, then insert tool from rear of connector.

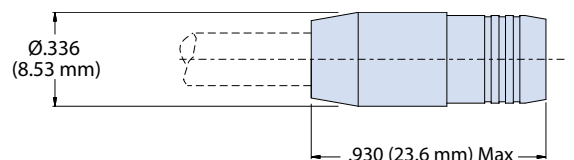
Size	Part Number	Military Part Number
#8	859-049	M81969/14-12



### Sealing Boot

If sealing boot is used, slide boot onto wire before terminating contact. After contact is installed in connector, slide boot forward into connector grommet to seal the contact cavity.

Ref Cable Dia. (in.)	Ref. Cable Dia. (mm.)	Part Number
.220	5.59	687-643-8-2



Dimensions in Inches (millimeters) are subject to change without notice.

Rev. 08.04.15



# Mighty Mouse Connectors with Size #8 Quadrax, Twinax, Coax or Power Contacts

## Size #8 El Ochito Contacts for CAT 6a Cable

**K**

Material and Finish	
Inner Contact, Outer Contact, Inner Ferrule, Crimp Sleeve	Copper alloy, 50 microinches gold over nickel
Insulator	Fluoropolymer
Sealing Boot Rigid Dielectric	Ultem
Sealing Boot Grommet	Fluorosilicone

Specifications	
Current Rating	1 A
Insulation Resistance	5000 Meg Ohms minimum
Dielectric Withstanding Voltage	500Vrms Min @ sea Level
Temperature Range	-55° C to +175° C
Durability	>500 cycles
Corrosion	48 Hrs Salt Spray
Vibration	IAW AS39029/113
Thermal Shock	-55° C to +175° C

### Termination tools for size #8 coax contacts for PIC E6A3826 cable



**A** M22520/2-01 crimper for inner contact. Requires **B** positioner, ordered separately. Length is 6.75 inches, weight is approx. 10 oz.

**B** Positioner, Daniels P/N K1906. Use with **A** crimper, ordered separately. Positioner holds contact at proper depth.

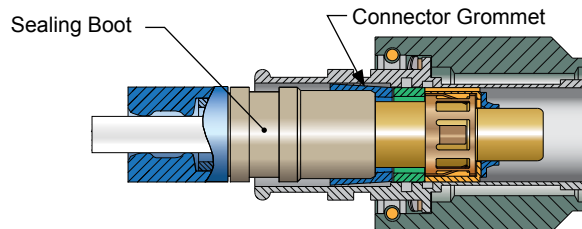
**C** Parallel action tool terminates outer contact. Use with **D** hex crimp dies. 11 inches OAL, 2.0 pounds. Anodized aluminum frame, steel mechanism, plastic handles. Accepts all M22520/5 die sets.

**D** Die set for terminating outer contact and cable shield. Two closures— .231(5.87) hex closure for cable shield and Requires **C** crimp tool sold separately. Hardened steel, black oxide finish.

Figure	Part Number	Military Part Number	Daniels Part Number
A	809-015	M22520/2-01	AFM8
B	859-101	None	K1906
C	809-129	M22520/5-01	HX4
D	859-047	M22520/5-45	N/A

### About Sealing Boots

The sealing boot is necessary to prevent moisture and contamination from penetrating the connector. The sealing boot is ordered separately. The boot consists of a rigid dielectric sleeve and a fluorosilicone rubber grommet. Slide boot onto cable before terminating contact. After the contact is installed into connector, seat the boot into connector grommet.



Dimensions in Inches (millimeters) are subject to change without notice.

## X-ON Electronics

Largest Supplier of Electrical and Electronic Components

*Click to view similar products for [Circular MIL Spec Contacts](#) category:*

*Click to view products by [Glenair](#) manufacturer:*

Other Similar products are found below :

[006-1189-20](#) [71-VEAM](#) [809-023](#) [809-111](#) [811393-000](#) [850-014](#) [97-45-1418P-5\(920\)](#) [97-45-1418S-4](#) [D-602-0106CS076](#) [AIC12-14P](#)  
[AIC16-16PG](#) [AIC8-12P](#) [AIC8-8SG](#) [AIC8-8SRAD](#) [1495044-1](#) [BACC47CP2T](#) [BACC47CP3S](#) [BACC47DP4](#) [BACC47GC1A](#) [BACC47GN1](#)  
[16968/2C](#) [173-900245-91](#) [21-033909-028](#) [241611N001](#) [2560-220-2031](#) [27915-38T9](#) [27964-38T112](#) [2M809-118](#) [97-67-36-20](#) [AIC12-16P](#)  
[AIC16-14SG](#) [AIC16-18PG](#) [AIC16-18S](#) [AIC16-20PG](#) [AIC4-4PG](#) [CE102S-18](#) [M39029/30-221](#) [M39029/77-430](#) [416-2020-088I](#) [MDM-](#)  
[21SH003B-F222](#) [BA-4120-50LD](#) [BACC47CN2](#) [BACC47GC3A](#) [BACC47GD3A](#) [BACC47GM1](#) [52G137 REV A](#) [CB2-18-21PS](#) [D-602-](#)  
[1116CS2727](#) [D-602-1117CS2727](#) [419-2082-102](#)