



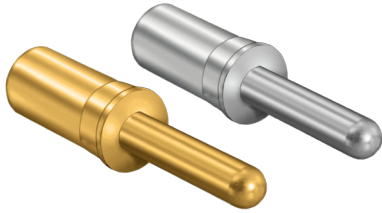
## Series 970 PowerTrip™ Connectors and Accessories

### Contacts and Tools

#### Crimp Contacts

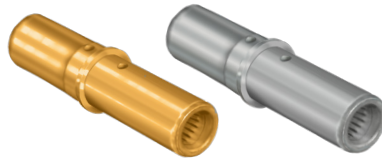
### CRIMP CONTACTS

Series 970 PowerTrip™ contacts for size #16 through Size #1/0 wire. Size #8, #4 and #1/0 contacts are high conductivity copper alloy (IACS >90%) with silver or gold plating. Size #12 and #16 contacts are copper alloy with gold over palladium finish. Size #1/0, 4 and 8 socket contacts feature low resistance, high durability louverband springs. Terminate to wire with standard crimp tools. Contacts are snap-in, rear-release and meet the performance requirements of SAE AS39029.



**Pin Contact**

- LouverBand Springs
- Crimp Termination
- High Conductivity Alloy
- Gold or Silver Plating



**Socket Contact**

#### Crimp Contacts

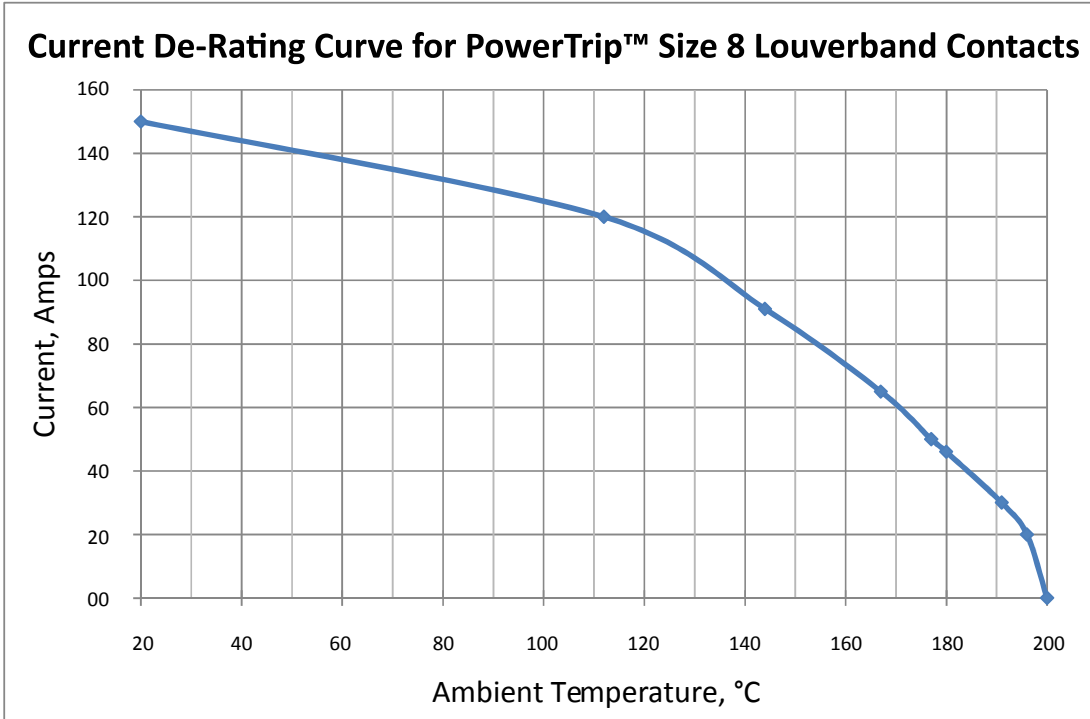
Size	Wire Size	Finish	Pin Contact Part Number	Socket Contact Part Number	Socket Contact Type
16	#16-#20	Gold/Palladium	<a href="#">850-037-16</a>	<a href="#">850-038-16</a>	Split-Tine
12	#12-#14	Gold/Palladium	<a href="#">850-037-12</a>	<a href="#">850-038-12</a>	Split-Tine
8	#8	Silver	<a href="#">850-026-8-8-1</a>	<a href="#">850-027-8-8-1</a>	LouverBand
		Gold	<a href="#">850-026-8-8-2</a>	<a href="#">850-027-8-8-2</a>	LouverBand
	#10	Silver	<a href="#">850-026-8-10-1</a>	<a href="#">850-027-8-10-1</a>	LouverBand
		Gold	<a href="#">850-026-8-10-2</a>	<a href="#">850-027-8-10-2</a>	LouverBand
4	#4	Silver	<a href="#">850-026-4-4-1</a>	<a href="#">850-027-4-4-1</a>	LouverBand
		Gold	<a href="#">850-026-4-4-2</a>	<a href="#">850-027-4-4-2</a>	LouverBand
	#6	Silver	<a href="#">850-026-4-6-1</a>	<a href="#">850-027-4-6-1</a>	LouverBand
		Gold	<a href="#">850-026-4-6-2</a>	<a href="#">850-027-4-6-2</a>	LouverBand
1/0	#1/0	Silver	<a href="#">850-026-0-0-1</a>	<a href="#">850-027-0-0-1</a>	LouverBand
		Gold	<a href="#">850-026-0-0-2</a>	<a href="#">850-027-0-0-2</a>	LouverBand
	#2	Silver	<a href="#">850-026-0-2-1</a>	<a href="#">850-027-0-2-1</a>	LouverBand
		Gold	<a href="#">850-026-0-2-2</a>	<a href="#">850-027-0-2-2</a>	LouverBand

#### Material and Finish Specifications

Pin, Size #16 and #12	Copper alloy, gold flash over palladium finish
Pin, Size #8, #4 and #1/0	High conductivity copper alloy, gold or silver finish over nickel
Socket, Size #16 and #12	Copper alloy, stainless steel hood, gold flash over palladium finish
Socket, Size #8, #4 and #1/0	High conductivity copper alloy, beryllium copper louverband spring, gold or silver finish over nickel

#### Tools for Contact Crimping and Installation

Contact Size	Wire Size	Insertion/Extraction Tool	Extraction Tool	Crimp Tool	Positioner	Die Set	Locator
#16	#16 - #20	<a href="#">809-131</a>	—	<a href="#">809-136</a>	<a href="#">859-032</a>	—	—
#12	#12 - #14	<a href="#">809-132</a>	—	<a href="#">809-136</a>	<a href="#">859-032</a>	—	—
#8	#8	—	<a href="#">859-022</a>	<a href="#">859-025</a>	—	<a href="#">859-026</a>	<a href="#">859-029</a>
#8	#10	—	<a href="#">859-022</a>	<a href="#">859-025</a>	—	<a href="#">859-026</a>	<a href="#">859-173</a>
#4	#4 - #6	—	<a href="#">859-023</a>	<a href="#">859-025</a>	—	<a href="#">859-027</a>	<a href="#">859-030</a>
#1/0	#1/0 - #2	—	<a href="#">859-024</a>	<a href="#">859-025</a>	—	<a href="#">859-028</a>	<a href="#">859-031</a>

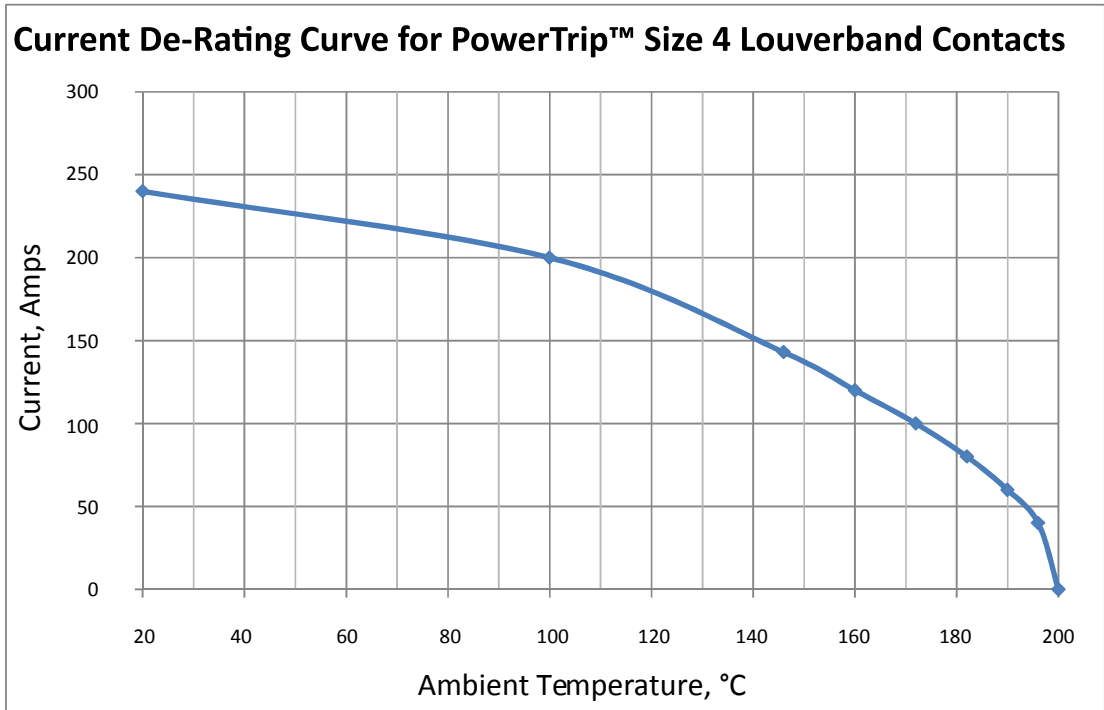


SIZE 8 CONTACTS	
Current, A	Temperature Rise, °C
0	0
20	4
30	9
46	20
50	23
60	33
80	56
120	88
150	179

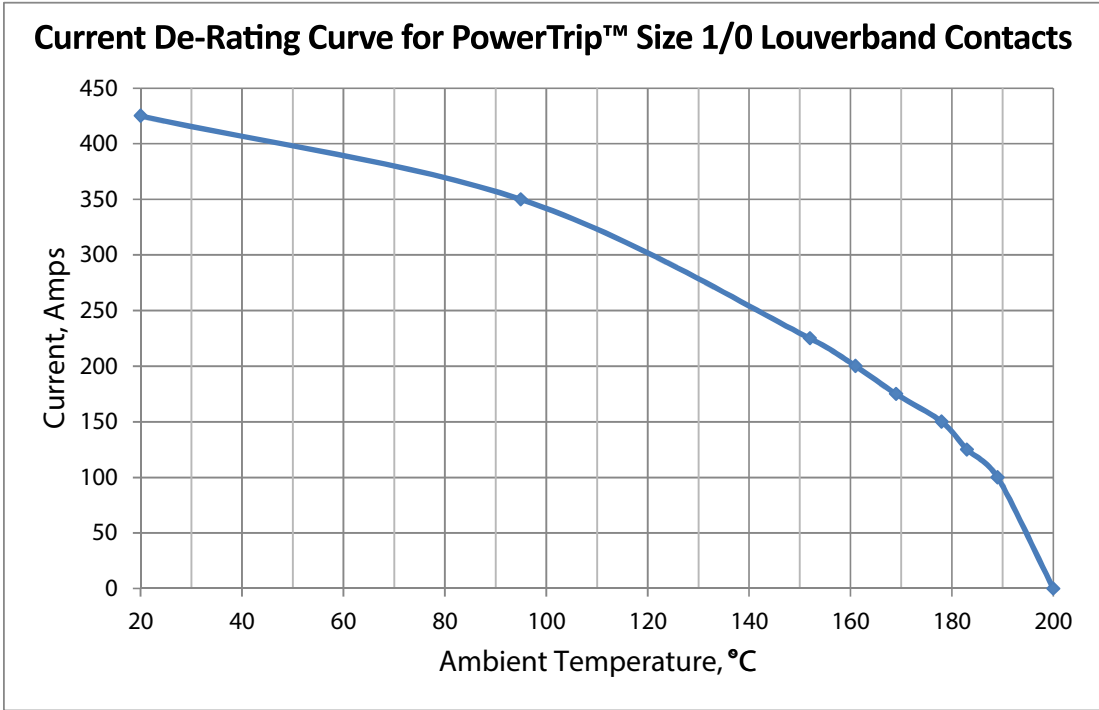




**Series 970 PowerTrip™ Connectors and Accessories**  
**Size 4 Contact Current Performance**



SIZE 4 CONTACTS	
Current, A	Temperature Rise, °C
0	0
40	4
60	10
80	18
100	28
120	40
140	54
200	100
240	176



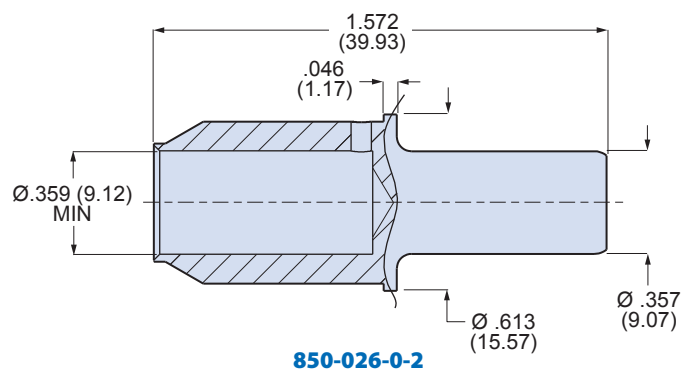
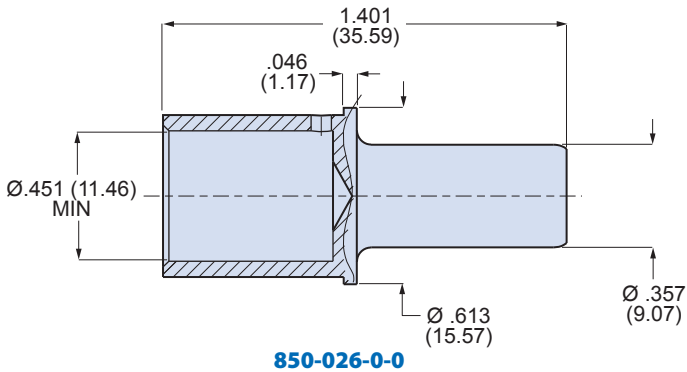
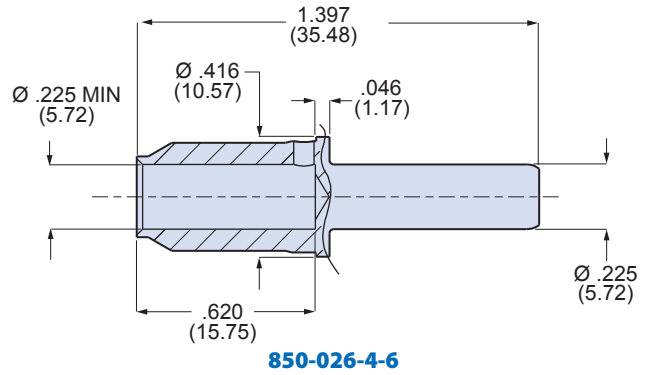
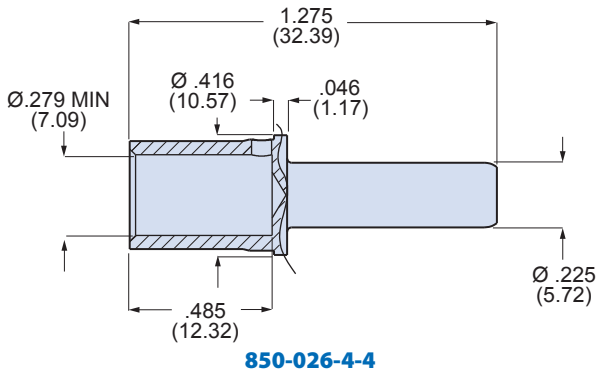
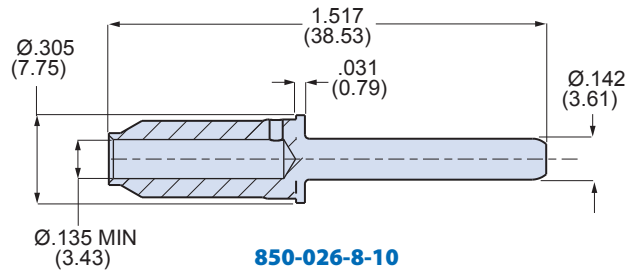
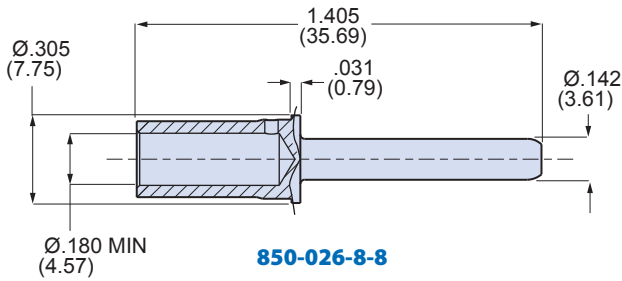
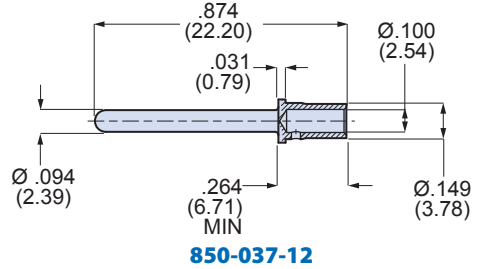
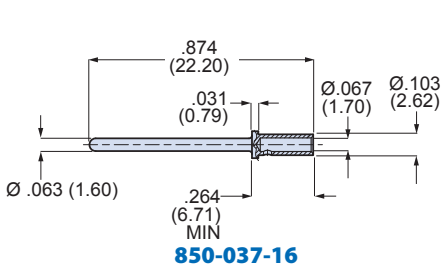
SIZE 1/0 CONTACTS	
Current A	Temperature Rise, °C
0	0
100	11
125	17
150	22
175	31
200	39
225	48
350	104
425	177





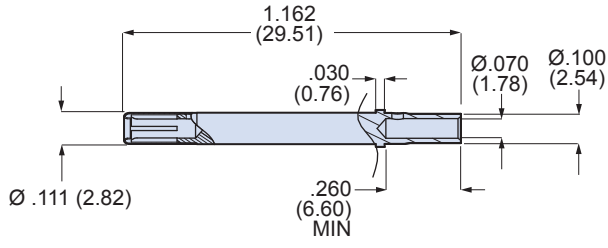
Series 970 PowerTrip™ Connectors and Accessories  
 Contacts and Tools  
 Crimp Contacts

**PIN CONTACTS**

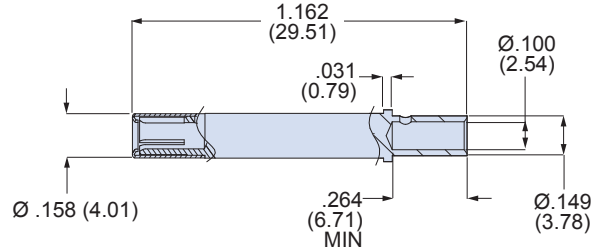


G

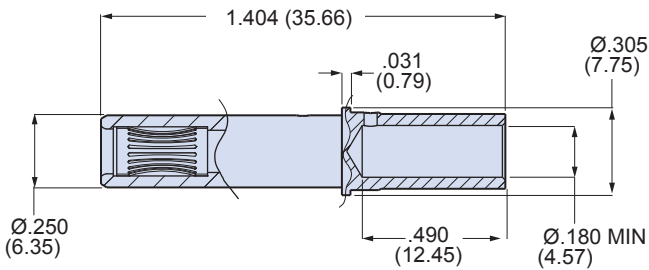
**SOCKET CONTACTS**



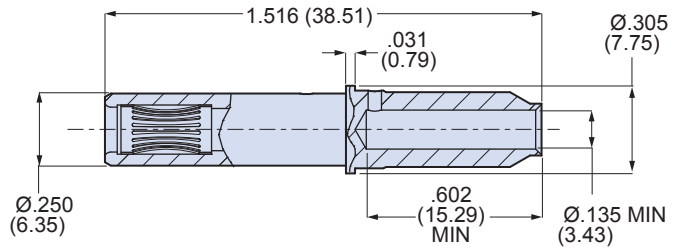
**850-038-16**



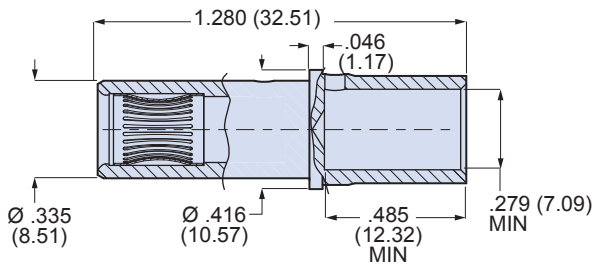
**850-038-12**



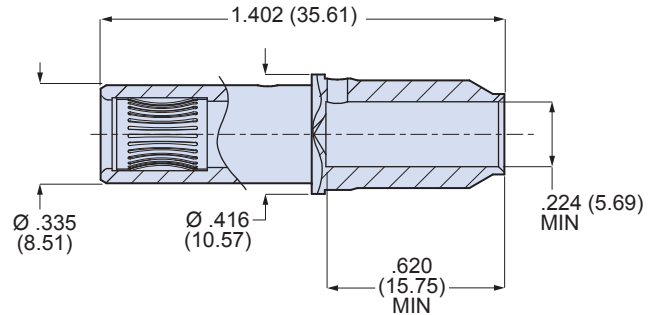
**850-027-8-8**



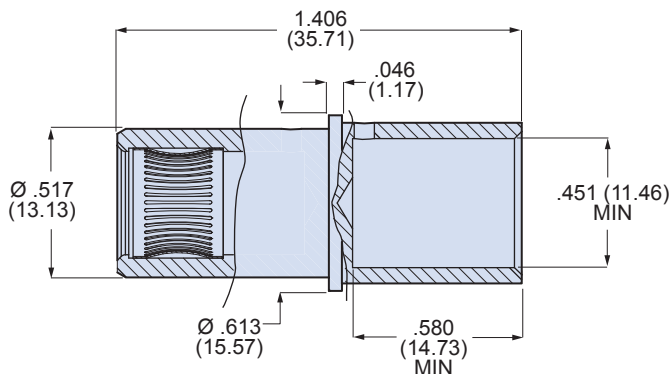
**850-027-8-10**



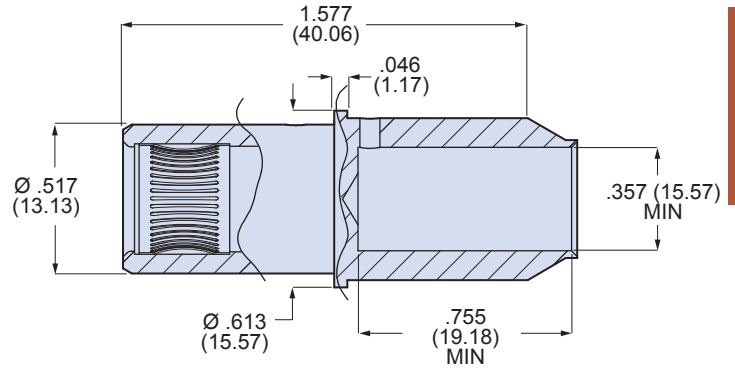
**850-027-4-4**



**850-027-4-6**



**850-027-0-0**



**850-027-0-2**



## X-ON Electronics

Largest Supplier of Electrical and Electronic Components

*Click to view similar products for [Hand Tools](#) category:*

*Click to view products by [Glenair](#) manufacturer:*

Other Similar products are found below :

[58284-1](#) [662908-1](#) [68764-0001](#) [690619-6](#) [7-354778-7](#) [768531-1](#) [821903-5](#) [822253-1](#) [854183-1](#) [854358-1](#) [992258-1](#) [1-21046-3](#) [1-22145-3](#)  
[1-22278-2](#) [1-24954-2](#) [125529-5](#) [126513-1](#) [1320846-1](#) [1338618-1](#) [1338968-2](#) [1-354779-0](#) [1-354779-2](#) [1-354779-4](#) [1424443-1](#) [1424266-1](#)  
[1424444-1](#) [1-525442-0](#) [1532195-2](#) [1538773-2](#) [1-59681-8](#) [1-59907-5](#) [1-692134-3](#) [1725760-1](#) [HT-920A-124-HTELE-RPL-KIT](#) [1976923-1](#)  
[1976969-1](#) [2063794-1](#) [2063795-1](#) [2-21002-1](#) [2-21002-3](#) [2-21002-4](#) [2-21002-7](#) [2-21002-9](#) [2-21004-0](#) [229399-2](#) [229707-1](#) [911737-2](#) [2598-](#)  
[5027-54](#) [91348-2](#) [925980-R](#)