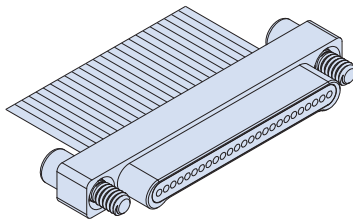




# SERIES 89 Single Row Connectors



## Plug and Receptacle Connectors with Insulated Wire How to Order



**Glenair Insulated Wire Nano Connectors** feature gold alloy TwistPin contacts. Contacts are precision-crimped to insulated, stranded wire. These nanominiature connectors offer premium performance and reliability for demanding applications, available in 8 arrangements. Contact spacing is .025 inches. 1 amp current rating, DWV rating 250 volts AC. Wire gages #30 and #32 AWG.

**TwistPin Contact System** assures premium performance in demanding environments. The gold/platinum alloy contacts will stand up to years of exposure without corrosion.

**Typical Applications** include UAV's, satellites, missile systems and geophysical instruments.

### How To Order

Sample Part Number	890-002	-25S	A2	-0	B	7	-12	T
<b>Series</b>	<b>890-001</b> = Plug, Pin Contacts, Single Row Nanominiature <b>890-002</b> = Receptacle, Socket Contacts, Single Row Nanominiature							
<b>Insert Arrangement/Contact Type</b>	Plugs (890-001): <b>5P, 9P, 15P, 21P, 25P, 31P, 37P, 51P</b> Receptacles (890-002): <b>5S, 9S, 15S, 21S, 25S, 31S, 37S, 51S</b>							
<b>Shell Material and Finish</b>	<b>A1</b> = Aluminum Shell, Cadmium Plating <b>A2</b> = Aluminum Shell, Electroless Nickel Plating <b>S</b> = Stainless Steel Shell, Passivated <b>T</b> = Titanium Shell, Unplated							
<b>Wire Gage</b>	<b>0</b> = #30 AWG <b>2</b> = #32 AWG							
<b>Wire Type</b>	<b>A</b> = Ultra Lightweight XLETFE Insulation, Silver Coated Ultra High Strength Copper. (Not available in #32 AWG) <b>B</b> = Extruded PTFE Insulation, Silver Coated Copper NEMA HP3-ETX (MIL-W-16878/6) <b>C</b> = Cross Linked Modified ETFE Insulation, Silver Coated High Strength Copper. MIL-W-22759/33 (Not available in #32 AWG)							
<b>Wire Color Code</b>	<b>1</b> = White <b>2</b> = Yellow <b>7</b> = 10 Color Repeating (wire type A is striped, types B and C are solid colors)							
<b>Wire Length</b>	<b>12</b> = 12.00 + 1.00 Inches; as required in one inch increments.							
<b>Hardware</b>	<b>J</b> = Hex Head Jackscrew, #0-80 UNF-2A <b>T</b> = Female Thread, #0-80 UNF-2B Female threads are available on plug connectors only if the shell material is titanium or stainless steel.							

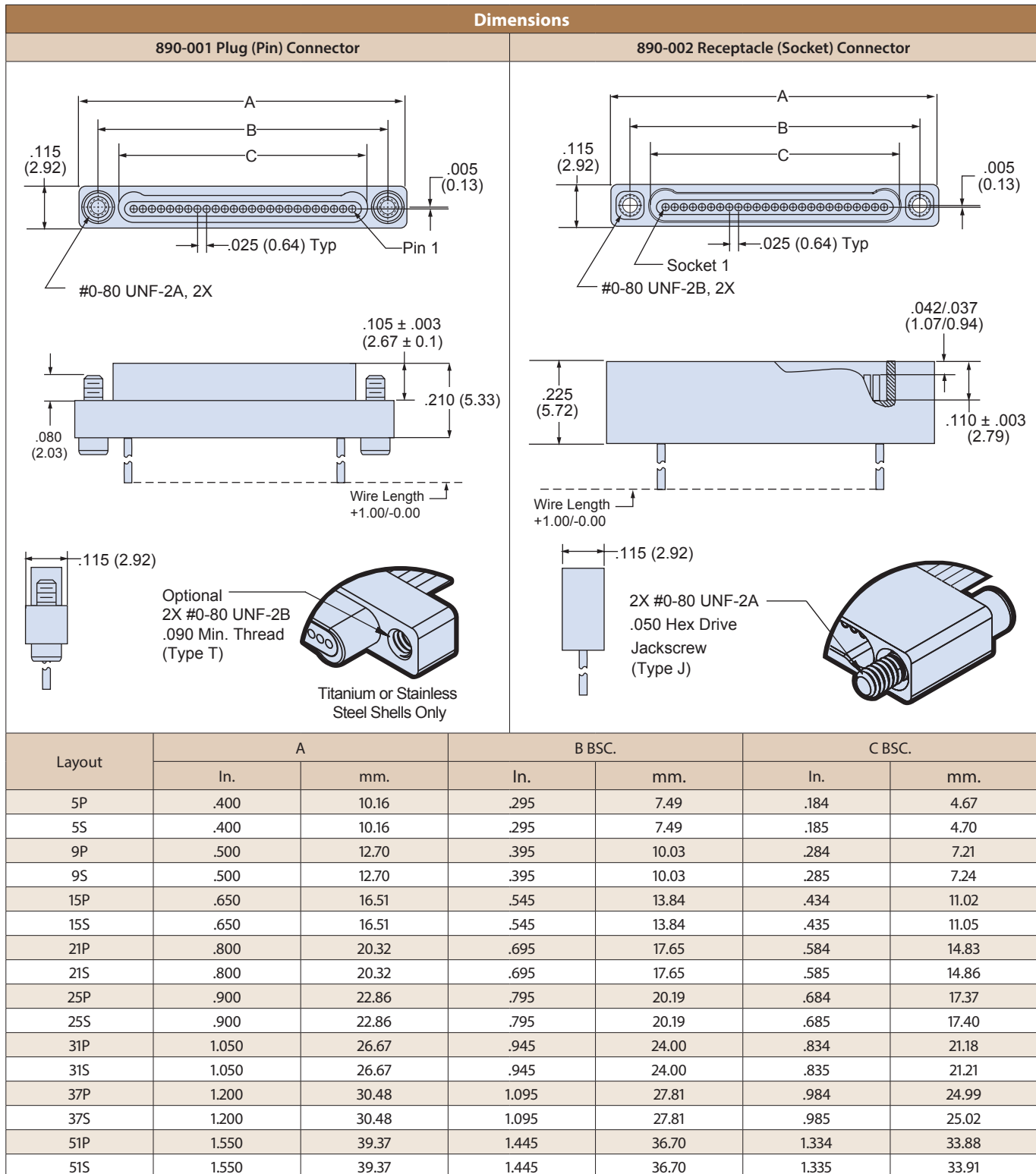
### Plug (Pin) Connector

### Receptacle (Socket) Connector

J - Jackscrew Option	T - Female Thread Option	J - Jackscrew Option	T - Female Thread Option

### NOTES

- Material and finish:
  - Shell: see part number breakdown
  - Insulator: LCP N/A
  - Contacts: Gold alloy per ASTM B477 and ASTM B541
  - Wire: see part number breakdown
  - Hardware: stainless steel, passivated
- Inspect and Test IAW MIL-DTL-32139
- Interface dimensions per MIL-DTL-32139/1 & MIL-DTL-32139/2



## X-ON Electronics

Largest Supplier of Electrical and Electronic Components

*Click to view similar products for [Rectangular MIL Spec Connectors](#) category:*

*Click to view products by [Glenair](#) manufacturer:*

Other Similar products are found below :

[891-011-15SA2-BSST](#) [CTS-S16/16](#) [65002-062](#) [CY4602-000](#) [732-8020-01](#) [77058-22-55PN](#) [81542-20](#) [86.030.0053.0](#) [1241346-1](#) [RM252-020-311-2900](#) [DMC-M 08-16 SA](#) [DMC-M 08-16 SAE](#) [1589051-4](#) [MSO34MPK1E1](#) [BACC65CAMA](#) [BACC65CP1PN](#)  
[BACI10BC0816PNBA](#) [1900ND05S1B00B](#) [HSB-D4S03DM222X](#) [2217548-1](#) [891-006-9PS-BST1T](#) [891-009-15SA2-BRT1T](#) [27963-20T12](#)  
[SIM2N40NC3](#) [SIM2S100A](#) [1604996-2](#) [SMD25PN90L-4055](#) [1900ND08S1B00A](#) [22628-10-6P-791](#) [GMCT50F0T0000](#) [RE04-212S](#)  
[M32139/03-G05SN](#) [CTD160E01F-6148](#) [CTJ112E03B](#) [CTJ122E02D-8000](#) [CTJ-3D-12](#) [CTJ920E06N-513](#) [CTJ920E12N-513](#) [CTL-16-090](#)  
[CY4600-000](#) [CY4601-000](#) [38111-14-15SN](#) [38112-14-15PN](#) [MMA23-0111R1](#) [MMD25-0071P1](#) [33516062020](#) [33526M11-08PE](#) [DMC-M99-01AN](#) [Y59113WE20PNV00300](#) [ZPF000000000106310](#)