

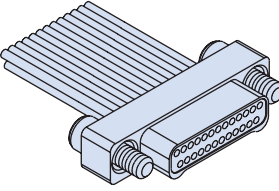
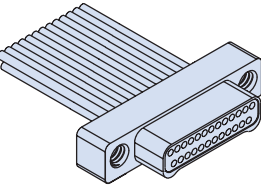
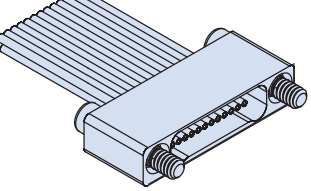
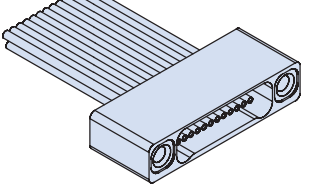
**Nanominiature Connectors with Insulated Wire** feature gold alloy TwistPin contacts. Contacts are precision-crimped to insulated, stranded wire. These nanominiature connectors offer premium performance and reliability for demanding applications. Contact spacing is .025 inches. 1 amp current rating, DWV rating 250 volts AC. Wire gages #30 and #32 AWG.

**TwistPin Contact System** assures premium performance in demanding environments. The gold alloy contacts will stand up to years of exposure without corrosion.

**Typical Applications** include UAV's, satellites, missile systems and geophysical instruments.

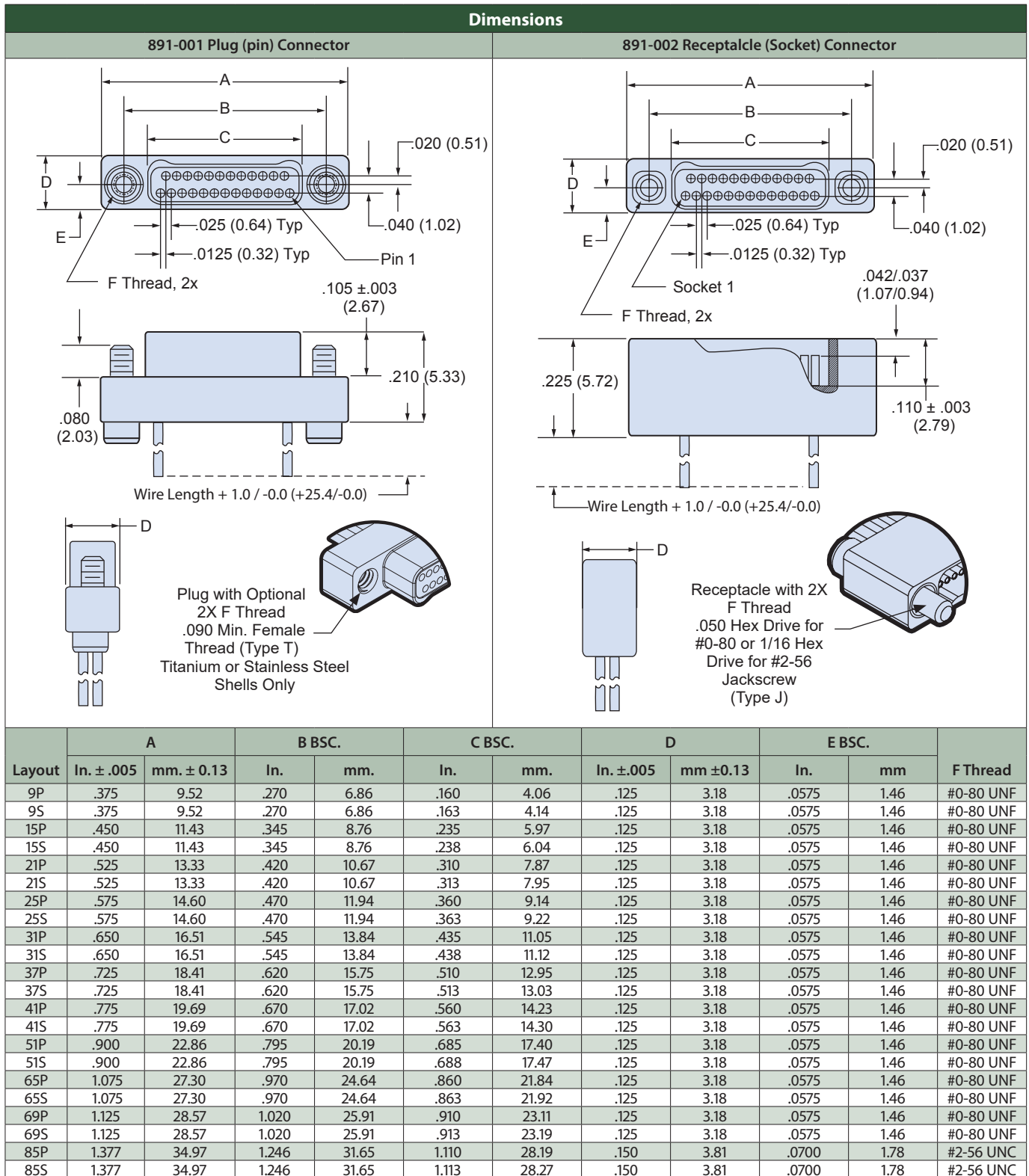
How to Order	
Sample Part Number	891-002 -25S A2 -0 B 7 -12 J
Series	891-001 = Plug 891-002 = Receptacle
Insert Arrangement/ Contact Type	Plugs (891-001): <b>9P, 15P, 21P, 25P, 31P, 37P, 41P, 51P, 65P, 69P, 85P</b> Receptacles (891-002): <b>9S, 15S, 21S, 25S, 31S, 37S, 41S, 51S, 65S, 69S, 85S</b>
Shell Material and Finish	<b>A1</b> = Aluminum Shell, Cadmium Plating <b>T</b> = Titanium Shell, Unplated <b>A2</b> = Aluminum Shell, Electroless Nickel Plating <b>S</b> = Stainless Steel Shell, Passivated
Wire Gage	<b>0</b> = #30 AWG <b>2</b> = #32 AWG (Wire Type 'B' Only)
Wire Type	<b>A</b> = Ultra Lightweight XLETFE Insulation, Silver Coated Ultra High Strength Copper. (Not available in #32 AWG) <b>B</b> = Extruded PTFE Insulation, Silver Coated Copper NEMA HP3-ETX (MIL-W-16878/6) <b>C</b> = Cross Linked Modified ETFE Insulation, Silver Coated High Strength Copper. MIL-W-22759/33 (Not available in #32 AWG)
Wire Color Code	<b>1</b> = White <b>2</b> = Yellow <b>7</b> = 10 Color Repeating (Wire Type A is striped, Types B & C are solid colors)
Wire Length	<b>12</b> = 12.00 + 1.00 inches; as required in one inch increments.
Hardware	<b>J</b> = Hex Head Jackscrew <b>T</b> = Female Threads* *Female threads are available on plug connectors only if the shell material is titanium or stainless steel.

D

Plug (Pin) Connector		Receptacle (Socket) Connector	
			
J - Jackscrew Option	T - Female Thread Option	J - Jackscrew Option	T - Female Thread Option

**NOTES**

- Material and Finishes:
  - Shell: see part number break down
  - insulator: LCP/N/A
  - Contacts: gold alloy / unplated
  - Wire: see part number break down
  - Hardware: passivated stainless steel
- Inspect and Test IAW MIL-DTL-32139
- Interface dimensions per MIL-DTL-32139/3 and /4



D

## X-ON Electronics

Largest Supplier of Electrical and Electronic Components

*Click to view similar products for [Rectangular MIL Spec Connectors](#) category:*

*Click to view products by [Glenair](#) manufacturer:*

Other Similar products are found below :

[891-011-15SA2-BSST](#) [CTS-S16/16](#) [65002-062](#) [CY4602-000](#) [732-8020-01](#) [77058-22-55PN](#) [81542-20](#) [86.030.0053.0](#) [1241346-1](#) [RM252-020-311-2900](#) [DMC-M 08-16 SA](#) [DMC-M 08-16 SAE](#) [1589051-4](#) [MSO34MPK1E1](#) [BACC65CAMA](#) [BACC65CP1PN](#) [BACI10BC0816PNBA](#) [1900ND05S1B00B](#) [HSB-D4S03DM222X](#) [2217548-1](#) [891-006-9PS-BST1T](#) [891-009-15SA2-BRT1T](#) [27963-20T12](#) [SIM2N40NC3](#) [SIM2S100A](#) [1604996-2](#) [SMD25PN90L-4055](#) [1900ND08S1B00A](#) [22628-10-6P-791](#) [GMCT50F0T0000](#) [RE04-212S](#) [M32139/03-G05SN](#) [CTD160E01F-6148](#) [CTJ112E03B](#) [CTJ122E02D-8000](#) [CTJ-3D-12](#) [CTJ920E06N-513](#) [CTJ920E12N-513](#) [CTL-16-090](#) [CY4600-000](#) [CY4601-000](#) [38111-14-15SN](#) [38112-14-15PN](#) [MMA23-0111R1](#) [MMD25-0071P1](#) [33516062020](#) [33526M11-08PE](#) [DMC-M99-01AN](#) [Y59113WE20PNV00300](#) [ZPF000000000106310](#)