

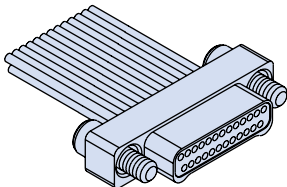
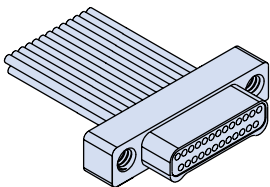
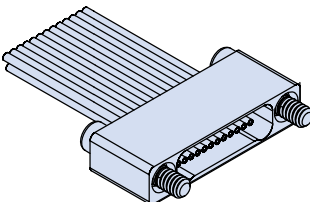
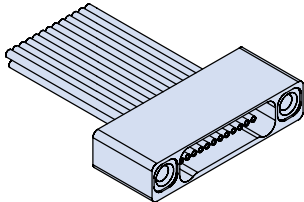
Nanominiature Connectors with Insulated Wire feature gold alloy TwistPin contacts. Contacts are precision-crimped to insulated, stranded wire. These nanominiature connectors offer premium performance and reliability for demanding applications. Contact spacing is .025 inches. 1 amp current rating, DWV rating 250 volts AC. Wire gages #30 and #32 AWG.

TwistPin Contact System assures premium performance in demanding environments. The gold/platinum alloy contacts will stand up to years of exposure without corrosion.

Typical Applications include UAV's, satellites, missile systems and geophysical instruments.

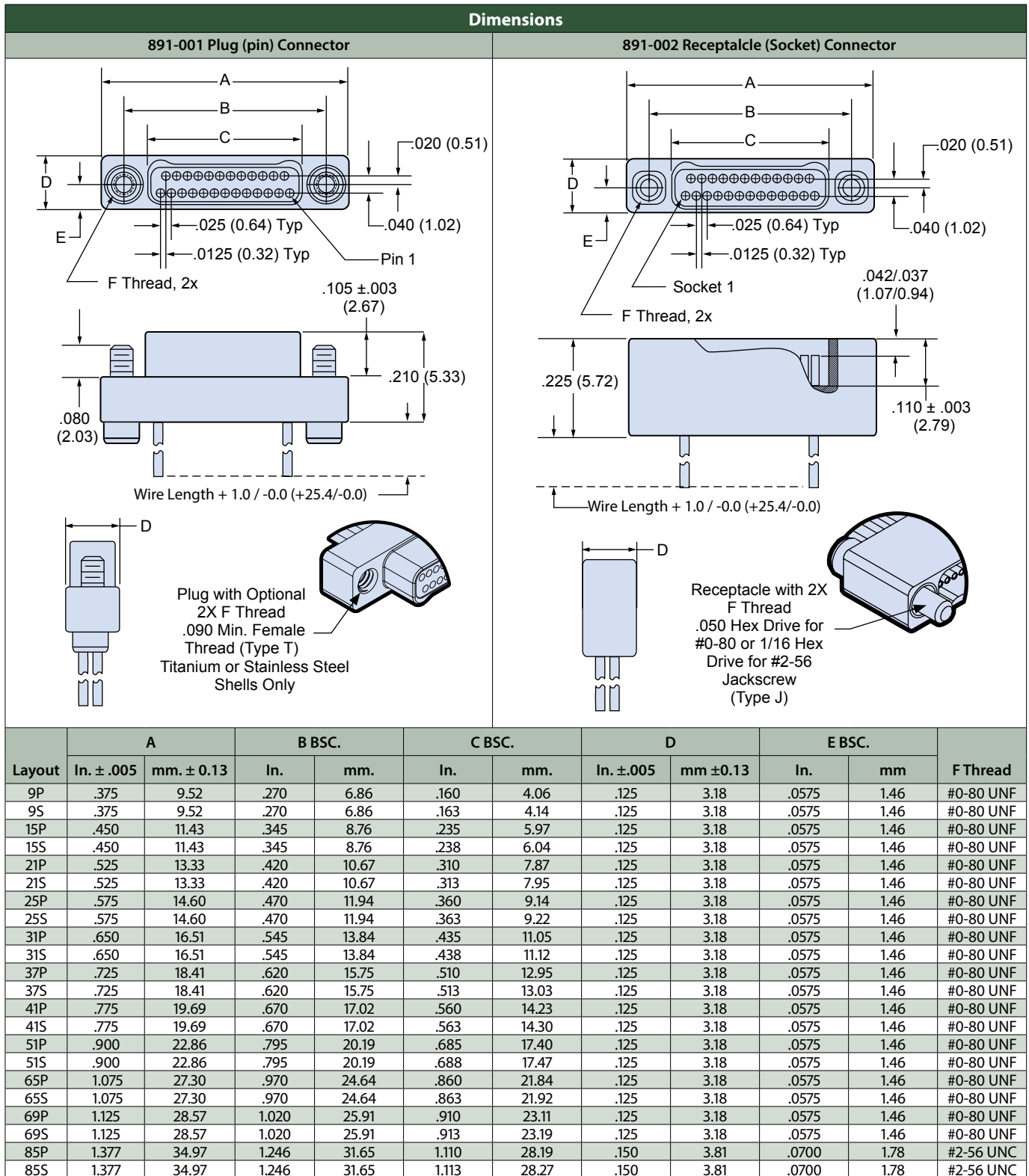
How to Order	
Sample Part Number	891-002 -25S A2 -0 B 7 -12 J
Series	891-001 = Plug 891-002 = Receptacle
Insert Arrangement/ Contact Type	Plugs (891-001): 9P, 15P, 21P, 25P, 31P, 37P, 41P, 51P, 65P, 69P, 85P Receptacles (891-002): 9S, 15S, 21S, 25S, 31S, 37S, 41S, 51S, 65S, 69S, 85S
Shell Material and Finish	A1 = Aluminum Shell, Cadmium Plating T = Titanium Shell, Unplated A2 = Aluminum Shell, Electroless Nickel Plating S = Stainless Steel Shell, Passivated
Wire Gage	0 = #30 AWG 2 = #32 AWG (Wire Type 'B' Only)
Wire Type	A = Ultra Lightweight XLETFE Insulation, Silver Coated Ultra High Strength Copper. (Not available in #32 AWG) B = Extruded PTFE Insulation, Silver Coated Copper NEMA HP3-ETX (MIL-W-16878/6) C = Cross Linked Modified ETFE Insulation, Silver Coated High Strength Copper. MIL-W-22759/33 (Not available in #32 AWG)
Wire Color Code	1 = White 2 = Yellow 7 = 10 Color Repeating (Wire Type A is striped, Types B & C are solid colors)
Wire Length	12 = 12.00 + 1.00 inches; as required in one inch increments.
Hardware	J = Hex Head Jackscrew T = Female Threads* *Female threads are available on plug connectors only if the shell material is titanium or stainless steel.

D

Plug (Pin) Connector		Receptacle (Socket) Connector	
			
J - Jackscrew Option	T - Female Thread Option	J - Jackscrew Option	T - Female Thread Option

NOTES

- Material and Finishes:
 - Shell: see part number break down
 - insulator: LCP/N/A
 - Contacts: gold alloy per ASTM B477 and ASTM B541
 - Wire: see part number break down
 - Hardware: passivated stainless steel
- Inspect and Test IAW MIL-DTL-32139
- Interface dimensions per MIL-DTL-32139/3 and /4



D

X-ON Electronics

Largest Supplier of Electrical and Electronic Components

Click to view similar products for [Rectangular MIL Spec Connectors](#) category:

Click to view products by [Glenair](#) manufacturer:

Other Similar products are found below :

[006-1169-16](#) [CSR31343-0001-00000](#) [CSR31346-0001-A0001](#) [CSR31899-0001-00000](#) [CSR31900-0001-A0001](#) [CTJ-3D-05](#) [CTS-S16/16](#)
[M55302/57A36X](#) [M55302/58-A70Y](#) [65002-062](#) [65008-D08](#) [CY4602-000](#) [732-8020-01](#) [732-8021-02 B](#) [77058-22-55PN](#) [81542-20](#)
[86.030.0053.0](#) [1241346-1](#) [RM252-020-311-2900](#) [DMC-M 08-16 SNE](#) [1589051-4](#) [BACC65CAMA](#) [BACC65CAMN](#) [BACC65CP1PN](#)
[BACI10BC1220PN](#) [18023-9](#) [HSB-D4S03DM222X](#) [2217548-1](#) [891-009-15SA2-BRT1T](#) [SIM2S100A](#) [1604996-2](#) [SMD25PN90L-4055](#)
[1925036-4](#) [220A012-25225-0](#) [22628-10-6P-791](#) [CSR31343-0001-A0001](#) [CSR31899-0001-A0001](#) [CSR31900-0001-00000](#) [33526M11-08PD](#)
[RE04-212S](#) [CTD160E01F-6148](#) [CTJ112E03B](#) [CTJ122E02D-8000](#) [CTJ-3D-12](#) [CTJ920E06N-513](#) [CTJ920E12N-513](#) [CTL-16-090](#) [CTR06-](#)
[5100SY](#) [M55302/63A20H](#) [M55302/66-30H](#)