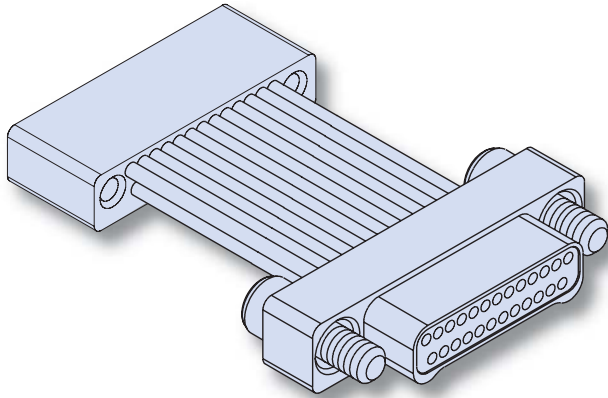




## Series 89 Nanominiature Connectors Two Row Back-To-Back 891-005



**Glenair's Back-To-Back Nano Connectors** feature gold alloy NanoPin contacts. Contacts are precision-crimped to insulated, stranded wire. These nanominiature connectors offer premium performance and reliability for demanding applications. Contact spacing is .025 inches. 1 amp current rating, DWV rating 300 volts AC. Wire gages #30 and #32 AWG.

**NanoPin Contact System** assures premium performance in demanding environments. The gold/platinum alloy contacts will stand up to years of exposure without corrosion.

**Typical Applications** include UAV's, satellites, missile systems and geophysical instruments.

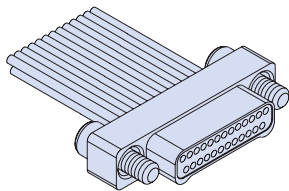
### HOW TO ORDER TWO ROW BACK-TO-BACK JUMPERS

Series	Number of Contacts	Connector Type	Shell Material and Finish	Wire Gage	Wire Type	Wire Color Code	Length Inches	Hardware
891-005 Back-To-Back Cables, Two Row, Nanominiature	9	<b>GP</b> Plug (Pin) Connector on Both Ends	<b>A1</b> Aluminum Shell, Cadmium Plating	<b>0</b> #30 AWG	<b>A</b> Ultralightweight XLETFE Insulation, Silver-Coated Ultrahigh-Strength Copper (Not available for #32 AWG)	<b>1</b> –White <b>2</b> –Yellow <b>7</b> –Ten Color Repeat	<b>Overall Length</b>	<b>JJ</b> = Jackscrews on both ends (GP, GS, CS)  <b>JT</b> = Jackscrews on plug, threaded holes on receptacle (CS)  <b>JP</b> = Jackscrews on plug, threaded holes on plug (GP)  <b>TJ</b> = Jackscrews on receptacle, threaded holes on plug (CS)  <b>JR</b> = Jackscrews on receptacle, threaded holes on receptacle (GS)  <b>TT</b> = Threaded holes both ends (GP, GS, CS)
	15							
	21							
	25							
	31							
37	<b>GS</b> Receptacle (Socket) Connector on Both Ends	<b>A2</b> Aluminum Shell, Electroless Nickel Plating	<b>2</b> #32 AWG	<b>B</b> Extruded PTFE Insulation, NEMA HP3- ETX (MIL-W-16878/6)	<b>Example: "12" specifies 12 inches OAL</b>			
31								
37	<b>CS</b> Plug (Pin) On One End, Receptacle On The Other End	<b>T</b> Titanium Shell, Unplated	<b>S</b> Stainless Steel Shell, Passivated	<b>C</b> Cross-Linked Modified ETFE Insulation, MIL- W-22759/33 (Not available for #32 AWG)				
51								

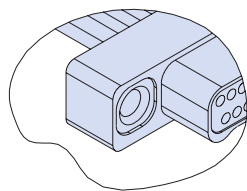
#### Sample Part Number

891-005	— 9	GP	A1	—0	A	1	— 12	J
---------	-----	----	----	----	---	---	------	---

#### PLUG (PIN) CONNECTOR

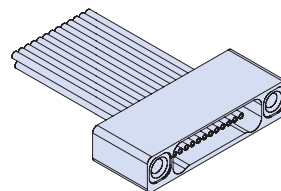


"J" Jackscrew Option

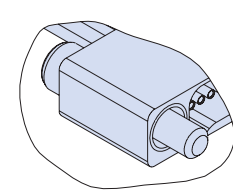


"T" Threaded Insert Option

#### RECEPTACLE (SOCKET) CONNECTOR



"T" Threaded Insert Option



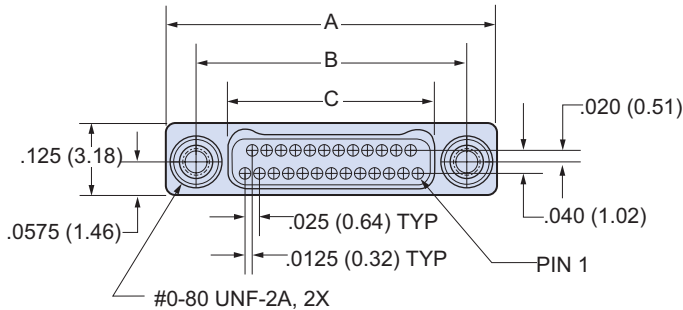
"J" Jackscrew Option

# Series 89 Nanominiature Connectors Two Row Back-To-Back 891-005

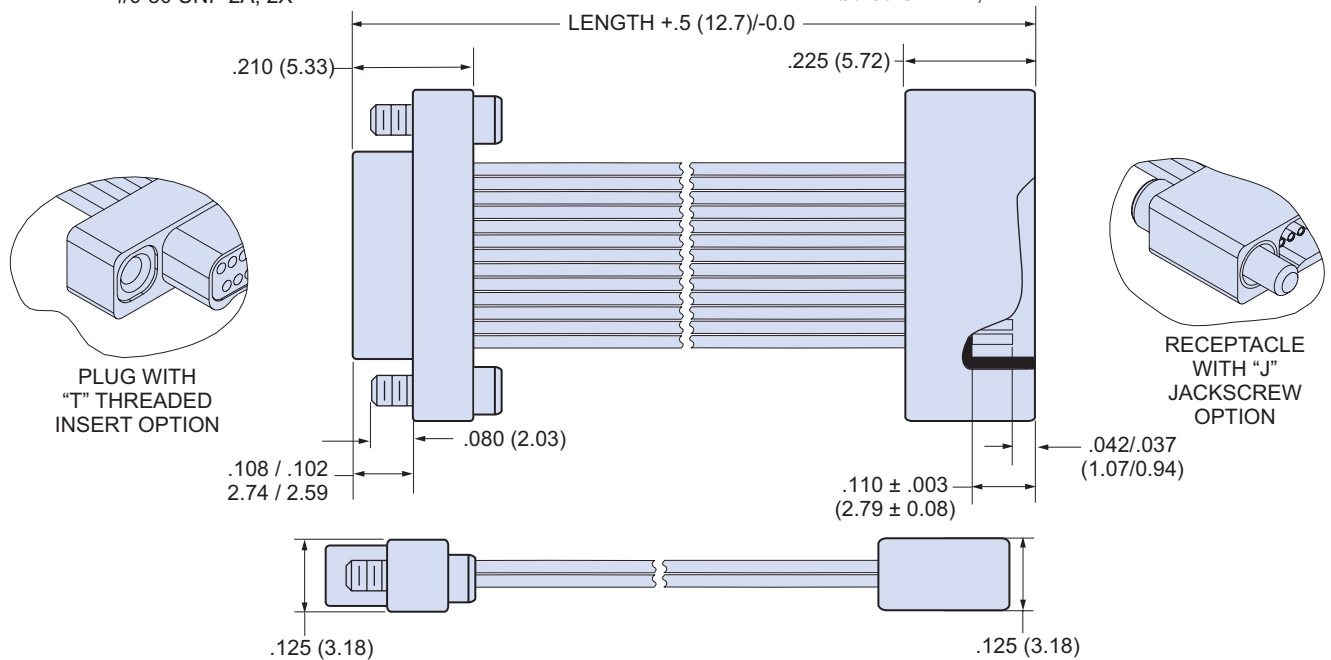
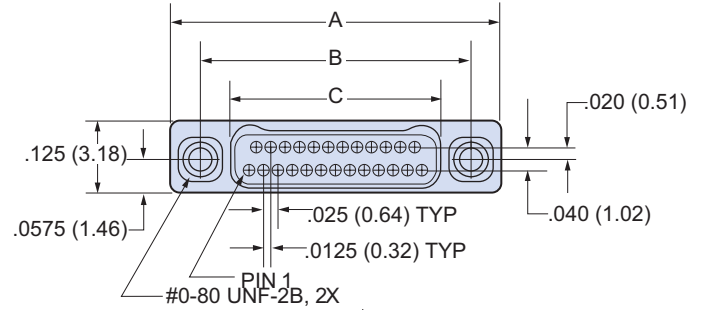


## TWO ROW NANO BACK-TO-BACK PIGTAIL DIMENSIONS

### Plug (Pin) Connectors



### Receptacle (Socket) Connectors



Layout	A		B BSC.		C BSC.	
	In.	mm.	In.	mm.	In.	mm.
9P	.375	9.52	.270	6.86	.160	4.06
9S	.375	9.52	.270	6.86	.163	4.14
15P	.450	11.43	.345	8.76	.235	5.97
15S	.450	11.43	.345	8.76	.238	6.04
21P	.525	13.33	.420	10.67	.310	7.87
21S	.525	13.33	.420	10.67	.313	7.95
25P	.575	14.60	.470	11.94	.360	9.14
25S	.575	14.60	.470	11.94	.363	9.22
31P	.650	16.51	.545	13.84	.435	11.05
31S	.650	16.51	.545	13.84	.438	11.12
37P	.725	18.41	.620	15.75	.510	12.95
37S	.725	18.41	.620	15.75	.513	13.03
51P	.900	22.86	.795	20.19	.685	17.40
51S	.900	22.86	.795	20.19	.688	17.47

## X-ON Electronics

Largest Supplier of Electrical and Electronic Components

*Click to view similar products for [Rectangular MIL Spec Connectors](#) category:*

*Click to view products by [Glenair](#) manufacturer:*

Other Similar products are found below :

[891-011-15SA2-BSST](#) [CTS-S16/16](#) [65002-062](#) [CY4602-000](#) [732-8020-01](#) [77058-22-55PN](#) [81542-20](#) [86.030.0053.0](#) [1241346-1](#) [RM252-020-311-2900](#) [DMC-M 08-16 SA](#) [1589051-4](#) [MSO34MPK1E1](#) [BACC65CAMA](#) [BACC65CP1PN](#) [BACI10BC0816PNBA](#) [HSB-D4S03DM222X](#) [2217548-1](#) [891-006-9PS-BST1T](#) [891-009-15SA2-BRT1T](#) [27963-20T12](#) [SIM2S100A](#) [1604996-2](#) [SMD25PN90L-4055](#) [1900ND08S1B00A](#) [22628-10-6P-791](#) [33526M11-08PD](#) [RE04-212S](#) [M32139/03-G05SN](#) [CTD160E01F-6148](#) [CTJ112E03B](#) [CTJ122E02D-8000](#) [CTJ-3D-12](#) [CTJ920E06N-513](#) [CTJ920E12N-513](#) [CTL-16-090](#) [RM300-000-581-0000](#) [CY4600-000](#) [CY4601-000](#) [38111-14-15SN](#) [38112-14-15PN](#) [MMA23-0111R1](#) [MMD25-0071P1](#) [33516062020](#) [33526M11-08PE](#) [DMC-M99-01AN](#) [Y59113WE20PNV00300](#) [ZPF000000000106310](#) [105979-31](#) [EN4165M01AD0G0](#)