



# Sav-Con® Connector Savers

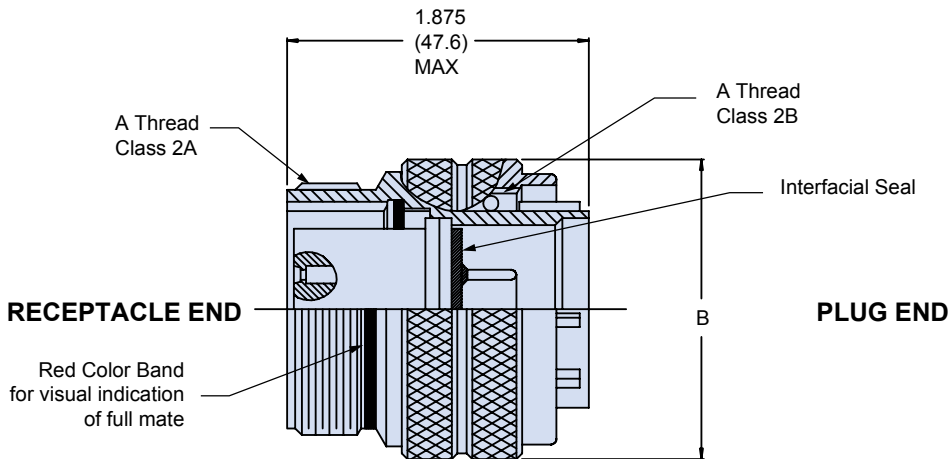
## MIL-DTL-38999 Series III

### 941-005 and 942-005 Threaded Coupling



#### 941-005 ENVIRONMENTAL AND 942-005 HIGH RELIABILITY THREADED COUPLING

How To Order	
<b>Sample Part Number</b>	<b>94 1 -005 NF B 98 P A</b>
<b>Series</b>	<b>94</b>
<b>Class</b>	<b>1 = Environmental 2 = High Reliability</b>
<b>Basic Number</b>	<b>005</b>
<b>Finish</b>	See Table I
<b>Shell Size</b>	<b>A, B, C, D, E, F, G, H, J</b> See Table II or Dimensions Table
<b>Insert Arrangement</b>	See Table II
<b>Contact Type</b>	<b>P = Pins, Plug Side S = Sockets, Plug Side</b>
<b>Alternate Key Position</b>	<b>A, B, C, D, E, N = Normal; See Table III</b>



Dimensions			
Shell Size Ref	Shell Size	A Thread Class 2	B Max
A	9	.6250 - 0.1P - 0.3L - TS-2	.858 (21.82)
B	11	.7500 - 0.1P - 0.3L - TS-2	.984 (24.61)
C	13	.8750 - 0.1P - 0.3L - TS-2	1.157 (28.98)
D	15	1.0000 - 0.1P - 0.3L - TS-2	1.280 (32.16)
E	17	1.1875 - 0.1P - 0.3L - TS-2	1.406 (35.33)
F	19	1.2500 - 0.1P - 0.3L - TS-2	1.516 (38.10)
G	21	1.3750 - 0.1P - 0.3L - TS-2	1.642 (41.28)
H	23	1.5000 - 0.1P - 0.3L - TS-2	1.768 (44.45)
J	25	1.6250 - 0.1P - 0.3L - TS-2	1.890 (47.63)



# Sav-Con® connector savers

## MIL-DTL-38999 Series III

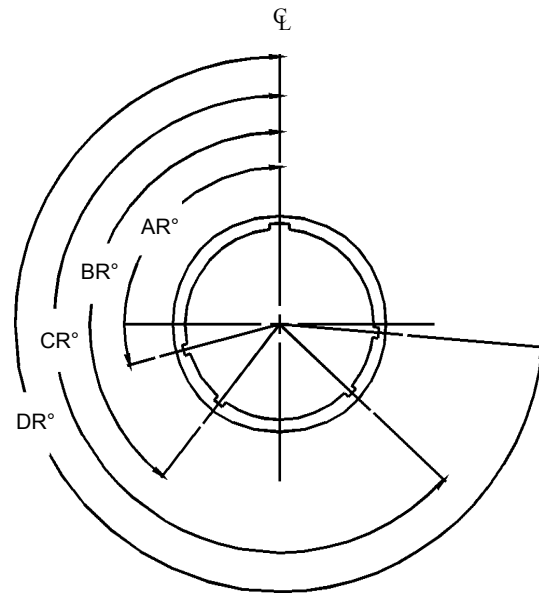
### Reference Information



Plating Code	Material	Finish
M	Aluminum	Electroless Nickel
B		Cad Plate, Olive Drab
NF		Cadmium Plate Olive Drab over Electroless Nickel
NC		Zinc-Cobalt
ZN		Olive Drab Zinc-Nickel
MT		Ni-PTFE 1000 Hour Grey™ (Nickel Fluorocarbon Polymer)
ZR		Zinc Nickel, Black
ME		Electroless Nickel (RoHS)
ZL	Stainless Steel	Electro-Deposited Nickel

Table III: Manin and Alternate Keyway Positions

Shell Size Code Ref	Shell Size	Alt. Keyway Code	AR°	BR°	CR°	DR°
A	9	N	105	140	215	265
		A	102	132	248	320
		B	80	118	230	312
		C	35	140	205	275
		D	64	155	234	304
B	11	N	95	141	208	236
		A	113	156	182	292
		B	90	145	195	252
		C	53	156	220	255
		D	119	146	176	298
C	13	N	80	142	196	293
		A	135	170	200	310
		B	49	169	200	244
		C	66	140	200	257
		D	62	145	180	280
D	15	N	80	142	196	293
		A	135	170	200	310
		B	49	169	200	244
		C	66	140	200	257
		D	62	145	180	280
E	17	N	80	142	196	293
		A	135	170	200	310
		B	49	169	200	244
		C	66	140	200	257
		D	62	145	180	280
F	19	N	80	142	196	293
		A	135	170	200	310
		B	49	169	200	244
		C	66	140	200	257
		D	62	145	180	280
G	21	N	80	142	196	293
		A	135	170	200	310
		B	49	169	200	244
		C	66	140	200	257
		D	62	145	180	280
H	23	N	80	142	196	293
		A	135	170	200	310
		B	49	169	200	244
		C	66	140	200	257
		D	62	145	180	280
J	25	N	80	142	196	293
		A	135	170	200	310
		B	49	169	200	244
		C	66	140	200	257
		D	62	145	180	280



FACE VIEW  
RECEPTACLE INSERT



# Sav-Con® connector savers

## MIL-DTL-38999 Series III

### Reference Information



**Table II: Shell Size - Insert Arrangement**

Shell Size Code	Shell Size Ref.	Insert Arr. Dash No.	Contact Size			
			22	20	16	12
A	9	9-3		3		
		9-35	6			
		9-44	4			
		9-98		3		
B	11	11-2			2	
		11-4		4		
		11-5		5		
		11-6		6		
		11-35	13			
		11-98		6		
		11-99		7		
C	13	13-4			4	
		13-8		8		
		13-35	22			
		13-98		10		
D	15	15-5			5	
		15-15		14	1	
		15-18		18		
		15-19		19		
		15-35	37			
E	17	17-6				6
		17-8			8	
		17-26		26		
		17-35	55			
		17-99		21	2	
F	19	19-11			11	
		19-28		26	2	
		19-30		29	1	
		19-32		32		
		19-35	66			
		19-45	67			

**Table II: Shell Size - Insert Arrangement**

Shell Size Code	Shell Size Ref.	Insert Arr. Dash No.	Contact Size			
			22	20	16	12
G	21	21-35	79			
		21-11				11
		21-16			16	
		21-24		24		
		21-25		25		
		21-27		27		
		21-39		37	2	
		21-41		41		
H	23	23-35	100			
		23-2	85			
		23-21			21	
		23-32		32		
		23-34		34		
		23-36		36		
		23-53		53		
		23-55		55		
		23-97			16	
		23-99			11	
J	25	25-2	100			
		25-4		48	8	
		25-19				19
		25-24			12	12
		25-29			29	
		25-35	128			
		25-43		23	20	
		25-61		61		

**Table IV: Capacitor Array Code Capacitance Range for Filtered Connectors**

Class	Pi - Circuit (pF)	C - Circuit (pF)
X*	160,000 - 240,000	80,000 - 120,000
Y*	80,000 - 120,000	40,000 - 60,000
Z*	60,000 - 90,000	30,000 - 45,000
A	38,000 - 56,000	19,000 - 28,000
B	32,000 - 45,000	16,000 - 22,500
C	18,000 - 33,000	9,000 - 16,500
D	8,000 - 12,000	4,000 - 6,000
E	3,300 - 5,000	1,650 - 2,500
F	800 - 1,300	400 - 650
G	400 - 600	200 - 300
J	70-120	35-60

\* Filter Classes X, Y and Z are 250 VDC.  
All others are 500 VDC

## X-ON Electronics

Largest Supplier of Electrical and Electronic Components

*Click to view similar products for [Circular MIL Spec Connector](#) category:*

*Click to view products by [Glenair](#) manufacturer:*

Other Similar products are found below :

[89075GULPR](#) [0025-262-542](#) [0025-264-3014](#) [58-570121-04S](#) [0134-213-1208](#) [0134-213-2209](#) [0025-258-000](#) [60-042022-07P](#) [60-042022-19P](#)  
[60-042022-23P](#) [60-042217-10P](#) [0114-201-1278](#) [012-0467-000](#) [602GB06EG24-61SN](#) [0134-201-1207](#) [0134-213-1006](#) [6104-207-2302](#) [6104-](#)  
[208-1902](#) [61-168211-04P](#) [61-168617-10P](#) [6131-202-19149P](#) [6131-204-21149P](#) [6131-208-13149P](#) [6131-209-17149P](#) [6131-210-11149P](#) [6131-](#)  
[211-19149P](#) [6131-216-19149P](#) [6131-259-21149P](#) [6131-259-23149P](#) [6131-265-17149P](#) [6131-265-19149P](#) [CS3100A18-1P-472](#) [CS3100A-36-](#)  
[77P](#) [CS3101A-16-55P](#) [CS3102A-10SL-55P](#) [CS3102A-14S-58P](#) [CS3102A-32-17P](#) [CS3102A32-25S](#) [CS3102C18-4P-472](#)  
[CS3106A10SL3S004](#) [CS3106A-18-73S](#) [CS3108A-14S-52S](#) [CS3108A-28-51S](#) [6162-233-1277](#) [6162-324-1231](#) [M243082296Z](#)  
[M2884010AC1S1](#) [CT0-24-10SC](#) [CT0M20-7PCAU](#) [M28840/17AC1G3](#)