

**Series 970 PowerTrip™ Connectors and Accessories**  
**Receptacle Connectors**  
**970-003 Square Flange Receptacle**



**970-003 SQUARE FLANGE RECEPTACLES**



Series 970 PowerTrip™ extreme environment receptacle connectors are intended for high current applications where size 8 AWG to size 1/0 AWG wires are used. These connectors feature high current LouverBand contacts. Coupling threads are triple-start ACME type. EMI protected with ground spring on mating plug and splined backshell interface. Standard contacts are silver plated high conductivity copper alloy, or choose gold-plated contacts for improved corrosion protection. Fluorosilicone rubber gaskets and grommet provide watertight sealing. Contacts are packaged with connector.

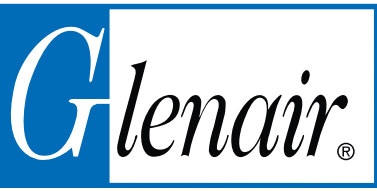
- EMI Protected
- High Current Contacts
- Submersible
- Harsh Environment

PRODUCT FACTS
2000 VAC Sea Level DWV Rating
-65°C to +200°C Operating Temperature
6 Feet Water Immersion, 48 Hours
65 dB min. Attenuation, up to 10GHz
500 Cycles Mating Durability
MIL-S 901 Grade A High-Impact Shock
43 g Random Vibration

**HOW TO ORDER**

SERIES	SHELL MATL AND FINISH	SHELL SIZE - INSERT ARRANGEMENT					CONTACT TYPE AND PLATING	MOUNTING HOLE OPTION	KEY POSITION		
<b>970-003</b> Square Flange Panel Mount Receptacle with Crimp Contacts	<b>ME</b> Aluminum, Electroless Nickel Finish	Contact Arr.					<b>P1</b> Pin Contacts, Silver Plating*	<b>N</b> Thru-Hole	<b>-1</b> Position 1		
		Contact Size and Qty									
		<b>MT</b> Aluminum, Nickel-PTFE Finish	#16	#12	#8	#4		#1/0	<b>P2</b> Pin Contacts, Gold Plating	<b>T</b> Clinch Nuts Installed in Mounting Holes for Back Panel Mounting.	<b>-2</b> Position 2
			18-2		2						
			18-4	2	2						
	20-3			3							
	20-4			4							
	20-5			2	3						
	20-7		4		3						
	24-2					2					
	24-3					3					
	24-5				5						
	24-6			4		2					
	24-A6			3		3					
	28-4					4					
	28-8			1	7						
	28-9		5			4					
	28-15	15									
	<b>ZR</b> Aluminum, Black Zinc-Nickel Finish	32-2				2		<b>S1</b> Socket Contacts, Silver Plating*	<b>-3</b> Position 3		
		32-3				3					
32-4					2	<b>S2</b> Socket Contacts, Gold Plating	<b>-4</b> Position 4				
32-5					5						
32-6			3		3						
32-20		1	19								
36-4					4						
36-16	3		13								
40-5				5	<b>A</b> Pin Connector, without Contacts	<b>-5</b> Position 5					
40-21			21								
<b>Z1</b> Passivated Stainless Steel						<b>B</b> Socket Connector, without Contacts	<b>-6</b> Position 6				
<b>Sample Part Number</b>											
<b>970-003</b>	<b>MT</b>	<b>24-5</b>					<b>P1</b>	<b>N</b>	<b>-1</b>		





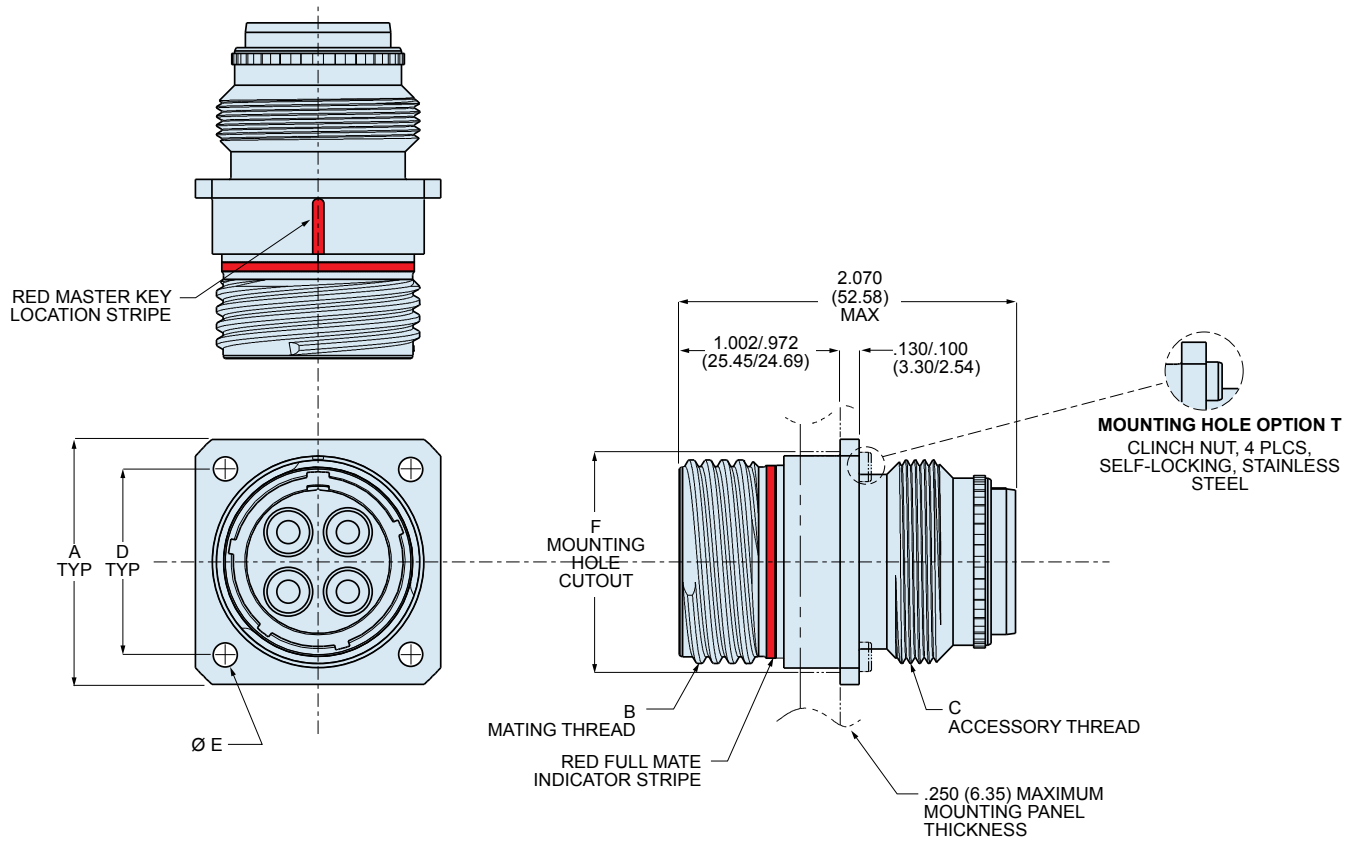
# Series 970 PowerTrip™ Connectors and Accessories

## Receptacle Connectors

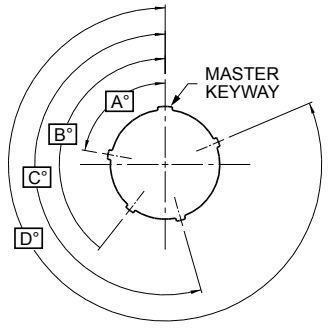
### 970-003 Square Flange Receptacle

#### 970-003 SQUARE FLANGE RECEPTACLE

D



DIMENSIONS											
Shell Size	A		B	C	D		Ø E		E	Ø F	
	In.	mm.	Mating Thread	Accessory Thd	In.	mm.	In.	mm.	Clinch Nut Thd	In.	mm.
18	1.383	35.13	1.125-.1P-.3L-TS-2A	1.125-18 UNEF-2A	1.015	25.78	.146	3.71	6-32 UNC-2B	1.187	30.15
20	1.508	38.30	1.250-.1P-.3L-TS-2A	1.250-18 UNEF-2A	1.140	28.96	.146	3.71	6-32 UNC-2B	1.374	34.90
24	1.718	43.64	1.500-.1P-.3L-TS-2A	1.4375-18 UNEF-2A	1.281	32.54	.146	3.71	6-32 UNC-2B	1.562	39.67
28	2.138	54.31	1.750-.1P-.3L-TS-2A	1.8125-16 UN-2A	1.568	39.83	.170	4.32	8-32 UNC-2B	1.835	46.61
32	2.328	59.13	2.000-.1P-.3L-TS-2A	2.0625-16 UNS-2A	1.734	44.04	.170	4.32	8-32 UNC-2B	2.093	53.16
36	2.578	65.48	2.250-.1P-.3L-TS-2A	2.250-16 UN-2A	1.984	50.39	.170	4.32	8-32 UNC-2B	2.302	58.47
40	2.828	71.83	2.500-.1P-.3L-TS-2A	2.500-16 UN-2A	2.234	56.74	.170	4.32	8-32 UNC-2B	2.562	65.07



KEY POSITIONS				
Position	A°	B°	C°	D°
1	80	142	196	293
2	135	170	200	310
3	49	169	200	244
4	66	140	200	257
5	62	145	180	280
6	79	153	197	272

## X-ON Electronics

Largest Supplier of Electrical and Electronic Components

*Click to view similar products for [Gate Drivers](#) category:*

*Click to view products by [Glenair](#) manufacturer:*

Other Similar products are found below :

[00028](#) [00053P0231](#) [8967380000](#) [56956](#) [CR7E-30DB-3.96E\(72\)](#) [57.404.7355.5](#) [LT4936](#) [57.904.0755.0](#) [5801-0903](#) [5803-0901](#) [5811-0902](#)  
[5813-0901](#) [58410](#) [00576P0030](#) [00581P0070](#) [5882900001](#) [00103P0020](#) [00600P0005](#) [00-9050-LRPP](#) [00-9090-RDPP](#) [5951900000](#) [01-](#)  
[1003W-10/32-15](#) [LTI LA6E-1S-WH-RC-FN12VXCR1](#) [0131700000](#) [00-2240](#) [LTP70N06](#) [LVP640](#) [0158-624-00](#) [5J0-1000LG-SIL](#) [020017-13](#)  
[LY1D-2-5S-AC120](#) [LY2-0-US-AC120](#) [LY2-US-AC240](#) [LY3-UA-DC24](#) [00-5150](#) [00576P0020](#) [00600P0010](#) [LZNQ2M-US-DC5](#) [LZNQ2-](#)  
[US-DC12](#) [LZP40N10](#) [00-8196-RDPP](#) [00-8274-RDPP](#) [00-8275-RDNP](#) [00-8609-RDPP](#) [00-8722-RDPP](#) [00-8728-WHPP](#) [00-8869-RDPP](#) [00-](#)  
[9051-RDPP](#) [00-9091-LRPP](#) [00-9291-RDPP](#)