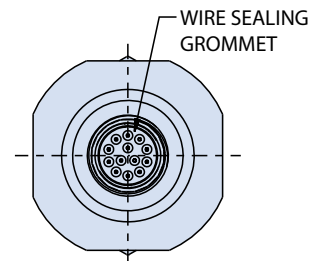
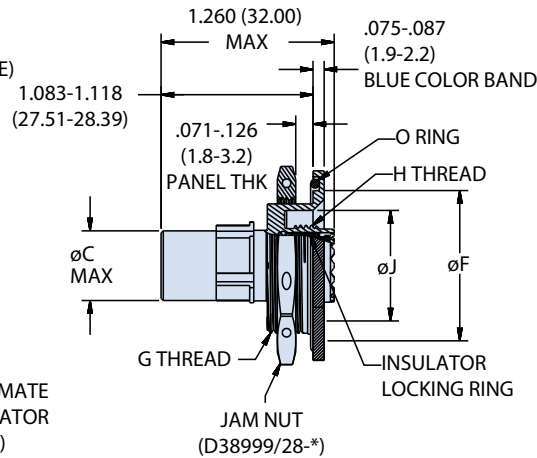
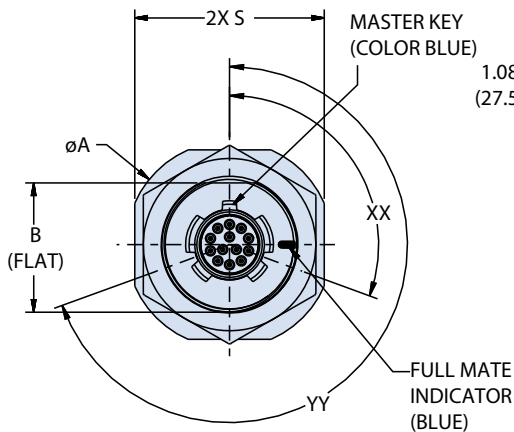
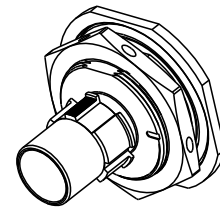
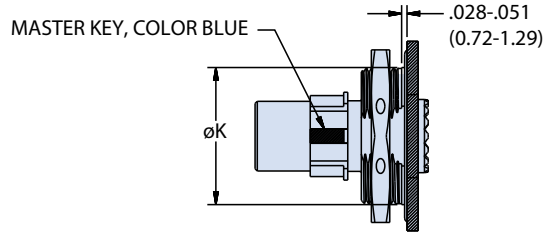
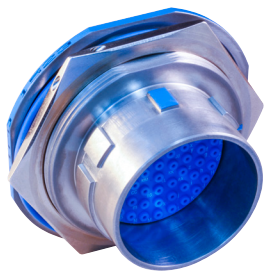


QPL QUALIFIED MIL-DTL-38999 Series IV, Breech Coupling 38999/44 jam-nut mount receptacle with rear release crimp contacts

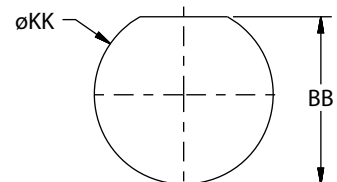


SERIES IV ENVIRONMENTAL

QPL Part Number Development								
Sample Part Number			D38999/44	W	J	30	P	N
MIL-DTL-38999	38999/44 = Jam-Nut receptacle							
Class	F = Environmental, aluminum, electroless nickel, conductive, -65°C to +200°C W = Environmental, aluminum, cadmium olive drab, conductive, -65°C to +175°C G = Environmental, aluminum, electroless nickel, conductive, -65°C to +200°C (space-grade)							
Shell Size	B, C, D, E, F, G, H, J							
Insert Arrangement	Per MIL-STD-1560; See reference section for details							
Contact Style	P = Pin Insert A = Pin Gender, Less Contacts S = Socket Insert B = Socket Gender, Less Contacts							
Polarization	N (Normal), A, B, C, D, K, L, M, R ; see polarization positions table							



Panel Cut-Out Dimensions							
Shell Size	Shell Size Code	ØKK	BB	Shell Size	Shell Size Code	ØKK	BB
11	B	1.020 (25.90)	.955 (24.26)	19	F	1.520 (38.60)	1.460 (37.08)
		1.010 (25.65)	.945 (24.01)			1.510 (38.35)	1.450 (36.83)
13	C	1.145 (29.08)	1.085 (27.56)	21	G	1.645 (41.78)	1.585 (40.26)
		1.135 (28.83)	1.075 (27.31)			1.635 (41.53)	1.575 (40.01)
15	D	1.270 (32.26)	1.210 (30.73)	23	H	1.770 (44.95)	1.710 (43.43)
		1.260 (32.01)	1.200 (30.48)			1.760 (44.70)	1.700 (43.17)
17	E	1.395 (35.43)	1.335 (33.91)	25	J	1.895 (48.13)	1.835 (46.61)
		1.385 (35.18)	1.325 (33.66)			1.885 (47.88)	1.825 (46.36)



JAM-NUT MOUNT RECEPTACLE
RECOMMENDED PANEL CUTOUT

COTS EQUIVALENT MIL-DTL-38999 Series IV, Breech Coupling



234-105-44 jam-nut mount receptacle with rear release crimp contacts

SERIES IV ENVIRONMENTAL

COTS Part Number Development						
Sample Part Number	234-105-44	NF	11	-35	P	N
Series / Basic Part No.	234-105-44 = Environmental, jam-nut environmental receptacle					
Material/Finish	ME = Aluminum, electroless nickel, conductive, -65°C to +200°C NF = Aluminum, cadmium olive drab, conductive, -65°C to +175°C MA† = Aluminum, electroless nickel, conductive, -65°C to +200°C (space-grade)					
Shell Size	11, 13, 15, 17, 19, 21, 23, 25					
Insert Arrangement	Per MIL-STD-1560; See reference section for details					
Contact Style	P = Pin Insert A = Pin Gender, Less Contacts S = Socket Insert B = Socket Gender, Less Contacts					
Polarization	N (Normal), A, B, C, D, K, L, M, R; see polarization positions table					

† Connectors must be ordered with "MA" finish and modification code "-186T" to conform to the thermal vacuum outgassing requirements of Class G. Additional material/finish options are available, consult factory for ordering information.

Dimensions											
Shell Size	Shell Size Code	ØA	B Flat	ØC Max	ØF	G Thd 1.0-6g 0.100R	H Thd 1.0-6g 0.100R	ØJ	ØK	S	O-Ring P/N
11	B	1.520 (38.6) 1.480 (37.6)	.942 (23.93) .935 (23.74)	.509 (12.93)	1.096 (27.84) 1.085 (27.55)	M25	M15	.804 (20.42) .794 (20.17)	1.000 (25.40) .990 (25.15)	1.394 (35.40) 1.354 (34.40)	AS3582-024
13	C	1.642 (41.7) 1.602 (40.7)	1.066 (27.08) 1.059 (26.89)	.634 (16.10)	1.221 (31.02) 1.249 (31.72)	M28	M18	.928 (23.57) .918 (23.32)	1.125 (28.58) 1.115 (28.33)	1.520 (38.60) 1.480 (37.60)	AS3582-026
15	D	1.768 (44.9) 1.728 (43.9)	1.191 (30.26) 1.184 (30.07)	.759 (19.28)	1.346 (34.19) 1.335 (33.90)	M31	M22	1.046 (26.56) 1.036 (26.31)	1.250 (31.75) 1.240 (31.50)	1.641 (41.68) 1.602 (40.70)	AS3582-028
17	E	1.957(49.7) 1.917 (48.7)	1.321 (33.56) 1.314 (33.37)	.885 (22.48)	1.483 (37.67) 1.472 (37.38)	M34	M25	1.182 (30.02) 1.172 (29.77)	1.375 (34.92) 1.365 (34.67)	1.799 (45.70) 1.760 (44.70)	AS3582-029
19	F	2.035 (51.7) 1.996 (50.7)	1.441 (36.61) 1.434 (36.42)	1.009 (25.63)	1.608 (40.85) 1.597 (40.56)	M38	M28	1.296 (32.91) 1.286 (32.66)	1.500 (38.10) 1.490 (37.85)	1.909 (48.50) 1.870 (47.50)	AS3582-030
21	G	2.157 (54.8) 2.118 (53.8)	1.566 (39.78) 1.559 (39.59)	1.134 (28.80)	1.733 (44.02) 1.722 (43.73)	M41	M31	1.422 (36.11) 1.412 (35.86)	1.625 (41.28) 1.615 (41.03)	2.035 (51.70) 1.996 (50.70)	AS3582-031
23	H	2.283 (58.0) 2.244 (57.0)	1.691 (42.96) 1.684 (42.77)	1.259 (31.98)	1.858 (47.20) 1.847 (46.91)	M44	M34	1.546 (39.26) 1.536 (39.01)	1.750 (44.45) 1.740 (44.20)	2.157 (54.80) 2.118 (53.80)	AS3582-032
25	J	2.409 (61.2) 2.370 (60.2)	1.816 (46.13) 1.809 (45.94)	1.384 (35.15)	1.983 (50.37) 1.972 (50.08)	M47	M37	1.672 (42.46) 1.662 (42.21)	1.875 (47.63) 1.865 (47.38)	2.283 (58.00) 2.244 (57.00)	AS3582-033

Polarization Positions									
	N	A	B	C	D	K	L	M	R
XX	110°	100°	90°	80°	70°	120°	120°	120°	120°
YY	250°	260°	270°	280°	290°	255°	265°	275°	285°

Additional Material/Finish Options	
Finish Code	Description
G2	Aluminum, anodize, hardcoat
ZR	Aluminum, zinc nickel, black (tri-valent cr)
MT	Aluminum, nickel PTFE
ZL‡	Stainless steel, electro-deposited nickel
Z1‡	Stainless steel, passivated

‡ Available in receptacle only, not firewall rated.

X-ON Electronics

Largest Supplier of Electrical and Electronic Components

Click to view similar products for [Circular MIL Spec Connector](#) category:

Click to view products by [Glenair](#) manufacturer:

Other Similar products are found below :

[0025-262-542](#) [0025-264-3014](#) [58-570121-04S](#) [0134-202-1200](#) [0134-207-1206](#) [0134-207-1800](#) [0134-207-2207](#) [0134-213-0806](#) [0134-213-1007](#) [0134-213-1009](#) [0134-213-1208](#) [0134-213-1800](#) [0134-213-2209](#) [0025-258-000](#) [015-9516-002](#) [60-042722-19P](#) [0114-201-1278](#) [602GB06EG24-61SN](#) [0134-201-1207](#) [0134-201-1806](#) [0134-201-2006](#) [0134-201-2007](#) [0134-201-2010](#) [0134-202-1400](#) [0134-207-0809](#) [0134-207-1208](#) [0134-207-2009](#) [0134-213-1006](#) [6104-207-2302](#) [6104-208-1902](#) [6131-202-19149P](#) [6131-204-21149P](#) [6131-207-13149P](#) [6131-208-13149P](#) [6131-209-17149P](#) [6131-210-11149P](#) [6131-211-19149P](#) [6131-216-19149P](#) [6131-220-25149P](#) [6131-259-11149P](#) [6131-259-21149P](#) [6131-259-23149P](#) [6131-263-19149P](#) [6131-265-17149P](#) [6131-265-19149P](#) [CS3102A-20-15P](#) [CS3102A-20-15S](#) [CS3102C18-4P-472](#) [CS3106A-20-29P](#) [CS3106A-20-74P](#)