

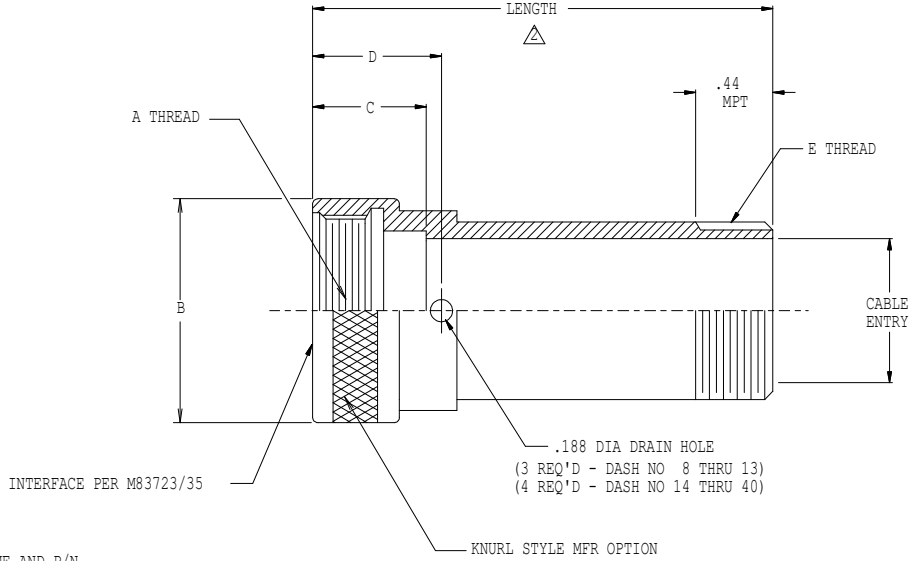
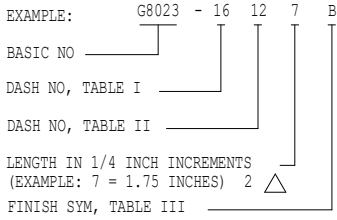
TABLE I						
DASH NO	SHELL SIZE	A THREAD CLASS 2B	B DIA	C MAX	D APPROX	
8	8S	7/16-28 UNEF	.562	.690	.784	
10	10S	1/2-28 UNEF	.625	.690	.784	
11	10SL	9/16-24 UNEF	.687	.690	.784	
12	12	5/8-24 UNEF	.750	.690	.784	
13	12S	5/8-24 UNEF	.750	.690	.784	
14	14	3/4-20 UNEF	.875	.690	.784	
15	14S	3/4-20 UNEF	.875	.690	.784	
16	16	7/8-20 UNEF	1.000	.846	.940	
17	16S	7/8-20 UNEF	1.000	.690	.784	
18	18	1-20 UNEF	1.125	.846	.940	
20	20	1 1/8-18 UNEF	1.250	.856	.950	
22	22	1 1/4-18 UNEF	1.375	.856	.950	
24	24	1 3/8-18 UNEF	1.500	.800	.894	
28	28	1 5/8-16 UNEF	1.812	.793	.887	
32	32	1 7/8-16 UN	2.062	.731	.825	
36	36	2 1/8-16 UN	2.312	.731	.825	
40	40	2 3/8-16 UN	2.562	1.159	1.253	

TABLE II		
DASH NO	E THREAD CLASS 2B	CABLE ENTRY
3	1/2-28 UNEF	.38
4	5/8-24 UNEF	.50
6	3/4-20 UNEF	.63
8	7/8-20 UNEF	.75
10	1-20 UNEF	.88
12	1 3/16-18 UNEF	1.00
13	1 1/4-18 UNEF	1.06
16	1 7/16-18 UNEF	1.25
20	1 3/4-18 UNS	1.50
24	2-18 UNS	1.75
28	2 1/4-16 UN	2.00
32	2 1/4-16 UN	2.25
40	3-16 UN	2.75

TABLE III	
SYM	FINISH DESCRIPTION
A	CADMIUM PLATE / BRIGHT DIP
B	CADMIUM PLATE / OLIVE DRAB
E	GOLD IRIDITE
J	GOLD IRIDITE OVER CADMIUM PLATE OVER NICKEL PLATE
L	CADMIUM PLATE / BRIGHT DIP OVER ELECTROLESS NICKEL
M	ELECTROLESS NICKEL
N	CADMIUM PLATE / OLIVE DRAB OVER NICKEL PLATE
P	NICKEL PLATE
T	CADMIUM PLATE OVER NICKEL PLATE
W	LEACHED IRIDITE
Y	GOLD IRIDITE OVER CADMIUM PLATE
Z	SPECIAL PER PURCHASE ORDER

REVISIONS			
SYM.	DESCRIPTION	DATE	APPROVED
J	REDRAWN PER DCN 09600	03/03/92	T.L.

PART NUMBER DEVELOPMENT



NOTES:

- ASSEMBLY IDENTIFIED WITH MANUFACTURER'S NAME AND P/N, SPACE PERMITTING.
- STANDARD MIN LENGTH: 1.75 INCHES. FOR SHORTER LENGTH, CONSULT FACTORY.
- DISCARD CONNECTOR REAR HARDWARE, WITH THE EXCEPTION OF THE WIRE SEAL FERRULE. WHICH MUST BE RETAINED.
- ADAPTER ACCOMMODATES: BENDIX 90-484, CANON CV, MATRIX M723, AND MI-C-83723, SERIES 2 CONNECTORS.
- MATERIAL/FINISH:
ADAPTER - AL ALLOY/SEE TABLE III.

UNLESS OTHERWISE SPECIFIED DIMENSIONS ARE IN INCHES TOLERANCES: FRACTIONS ± 1/16 DECIMALS .XX ± .03 .XXX ± .015 ANGLES ± 2°	DRAWN	T. LE	03/03/92	GLENAIR, INC. <small>EST. 1952</small> 1211 AIR WAY - GLENDALE - CALIFORNIA 91201 ADAPTER TO AN3054, FOR MIL-C-83723, SERIES 2 CONNECTORS			
	CHECK	G. BURGE	03/03/92				
	ENGR	P. OAKES	03/03/92				
DO NOT SCALE THIS DRAWING	RELEASE DATE	03/03/92	CODE IDENT. NO.	SIZE	G8023	REV	J
B/F 7198	E/C 360KS	NON REPARABLE COMMERCIAL ITEM	SCALE N/A	WEIGHT N/A	SHEET 1 OF 1		

X-ON Electronics

Largest Supplier of Electrical and Electronic Components

Click to view similar products for [Circular MIL Spec Strain Reliefs & Adapters](#) category:

Click to view products by [Glenair](#) manufacturer:

Other Similar products are found below :

[896227-000](#) [899170S004](#) [0113-023-000](#) [6000-063-0022](#) [CS6624-000](#) [620AB038Z136](#) [620AS001Z108](#) [620AS038Z112](#) [620AS038Z120](#)
[620AS038Z132](#) [620FB038NF08](#) [620HA038NF09](#) [620HA038NF11](#) [620HA038NF13](#) [620HA038NF25](#) [620HB049NF17](#) [620HS038NF11](#)
[620HS038Z121](#) [620HS042XM19](#) [620HS042XM25](#) [620HS048B17](#) [620MS064NF12](#) [620MS065Z107](#) [620MS065ZNU06](#) [627-123NF21-11](#)
[627-125NF23-6](#) [630J041M06H](#) [630J041M20H](#) [637S010NF0212H](#) [637S010NF0416A](#) [640830-000](#) [659943-000](#) [66241-10A](#) [CW0597-000](#)
[CW0598-000](#) [CW0948-000](#) [CY0122-000](#) [M85049/41-6A W/B](#) [M85049/42-12DS](#) [M85049/47N8](#) [M85049/51-1-14S](#) [M85049/51S16S](#)
[M85049/60-1N16](#) [M85049/60-2G12W](#) [M85049/69-11N](#) [CZ3661-000](#) [D02922-000](#) [70.360.1628.0](#) [703797-000](#) [705825-000](#)