

TABLE I

SHELL SIZE	A THREAD CLASS 2B	B DIA MAX	C MAX	D MAX	E ±.031	F MIN	G MAX CLOSED	G1 MIN OPEN
8	7/16-28 UNEF	.617	.43	.78	.750	.075	.040	.125
10	9/16-24 UNEF	.734	.43	.89	.750	.075	.040	.188
12	11/16-24 UNEF	.858	.43	1.03	.937	.175	.080	.250
14	13/16-20 UNEF	.984	.43	1.22	1.015	.300	.180	.406
16	15/16-20 UNEF	1.112	.43	1.28	1.125	.375	.180	.531
18	1 1/16-18 UNEF	1.198	.46	1.37	1.188	.525	.306	.656
20	1 3/16-18 UNEF	1.323	.46	1.56	1.312	.650	.430	.781
22	1 5/16-18 UNEF	1.448	.46	1.75	1.437	.795	.539	.906
24	1 7/16-18 UNEF	1.573	.46	1.81	1.562	.900	.539	1.031

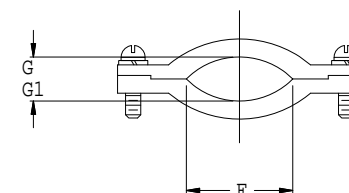
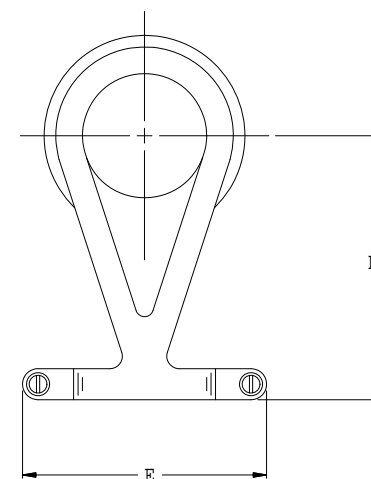
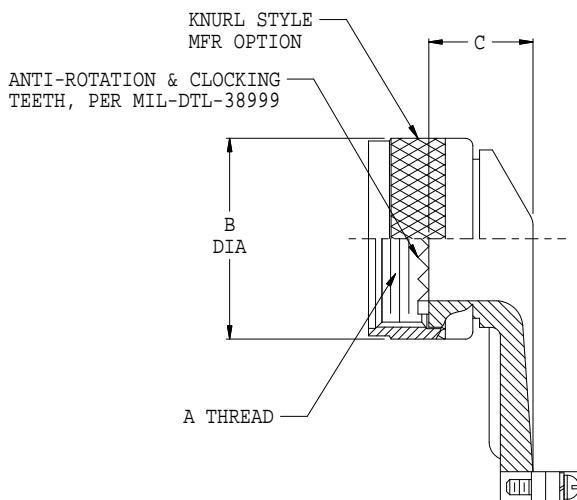
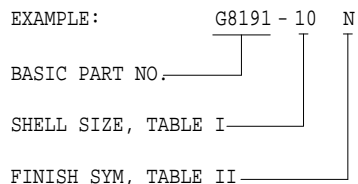
TABLE II

SYM	FINISH DESCRIPTION
C	BLACK ANODIZE
J	GOLD IRIDITE OVER CADMIUM PLATE OVER NICKEL
OMIT	ELECTROLESS NICKEL
N	CADMIUM PLATE/OLIVE DRAB OVER NICKEL
T	CADMIUM PLATE/BRIGHT DIP OVER NICKEL
NF	CAD/O. D. OVER ELECTROLESS NICKEL (1000 HOUR SALT SPRAY)

REVISIONS

SYM.	DESCRIPTION	DATE	APPROVED
D	REDRAWN & REVISED PER DCN 16449	07/24/00	T.L.
E	REVISED PER DCN 28909	02/02/08	T.L.

PART NUMBER DEVELOPMENT



NOTES:

- ASSEMBLY IDENTIFIED WITH MANUFACTURER'S NAME AND P/N, SPACE PERMITTING.
- DISCARD CONNECTOR REAR HARDWARE.
- ADAPTER ACCOMMODATES: BENDIX JT, LJT, BURNDY CT, CANNON KJ (MS27466, 67, 68, 72, 73, 74, 79, 80, 81, 84, & 97, MS27652, 53, 54 & 56) CONNECTOR SERIES, PER MIL-DTL-38999 E, P & T. CONSULT FACTORY FOR SERIES NOT SHOWN.
- GLENAIR 600 SERIES BACKSHELL ASSEMBLY TOOLS ARE RECOMMENDED FOR ASSEMBLY AND INSTALLATION.
- MATERIAL/FINISH:  
CLAMP BODY, SADDLES, COUPLING NUT - AL ALLOY/SEE TABLE II  
LOCK WASHERS, SCREWS - CRES/PASSIVATED

UNLESS OTHERWISE SPECIFIED DIMENSIONS ARE IN INCHES TOLERANCES:	DRAWN	T.LE	07/24/00	<b>GLENAIR, INC.</b> CAD 2000 <sup>o</sup> 1211 AIR WAY - GLENDALE - CALIFORNIA 91201
	CHECK	P.OAKES	07/24/00	
	ENGR	R. PAINTER	07/24/00	
FRACTIONS ± 1/16	<i>R. Painter</i>		APPROVED	ADAPTER, 90°, STRAIN RELIEF, FOR MIL-DTL-38999 CONNECTORS
DECIMALS .XX ±.03 .XXX ±.015	<i>P. Oakes</i>		APPROVED	
ANGLES ± 2°	RELEASE DATE	07/24/00	ORIGINAL RELEASE DATE	
DO NOT SCALE THIS DRAWING	B/F		P/C 620FA	NON REPARABLE COMMERCIAL ITEM
SCALE N/A		WEIGHT N/A	SHEET 1 OF 1	REV. E

CODE IDENT. NO. 06324 SIZE C G8191

## X-ON Electronics

Largest Supplier of Electrical and Electronic Components

*Click to view similar products for [Circular MIL Spec Strain Reliefs & Adapters](#) category:*

*Click to view products by [Glenair](#) manufacturer:*

Other Similar products are found below :

[896227-000](#) [899170S004](#) [0113-023-000](#) [6000-063-0022](#) [CS6624-000](#) [620AB038Z136](#) [620AS001Z108](#) [620AS038Z112](#) [620AS038Z120](#)  
[620AS038Z132](#) [620FB038NF08](#) [620HA038NF09](#) [620HA038NF11](#) [620HA038NF13](#) [620HA038NF25](#) [620HB049NF17](#) [620HS038NF11](#)  
[620HS038Z121](#) [620HS042XM19](#) [620HS042XM25](#) [620HS048B17](#) [620MS064NF12](#) [620MS065Z107](#) [620MS065ZNU06](#) [627-123NF21-11](#)  
[627-125NF23-6](#) [630J041M06H](#) [630J041M20H](#) [637S010NF0212H](#) [637S010NF0416A](#) [640830-000](#) [659943-000](#) [66241-10A](#) [CW0597-000](#)  
[CW0598-000](#) [CW0948-000](#) [CY0122-000](#) [M85049/41-6A W/B](#) [M85049/42-12DS](#) [M85049/47N8](#) [M85049/51-1-14S](#) [M85049/51S16S](#)  
[M85049/60-1N16](#) [M85049/60-2G12W](#) [M85049/69-11N](#) [CZ3661-000](#) [D02922-000](#) [70.360.1628.0](#) [703797-000](#) [705825-000](#)