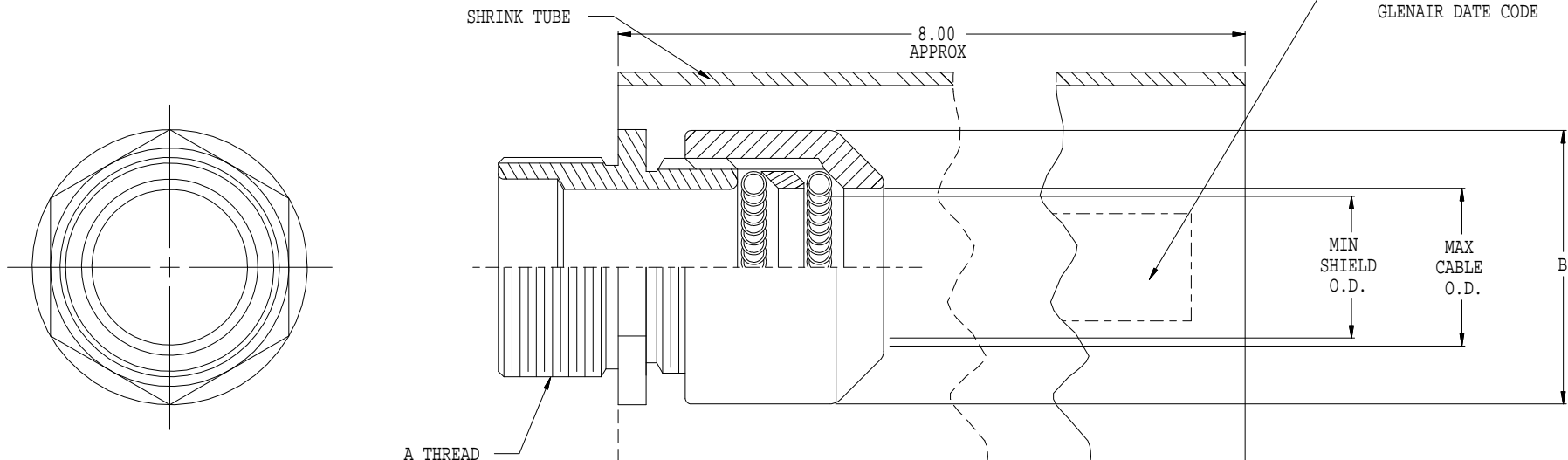


TABLE I

ORDER SIZE	A THREAD	MAX CABLE O.D.	MIN SHIELD O.D.	B MAX	SHRINK TUBE NO $\triangle 3$
GA/CSGA -A (SM)	7/8 -12 UN	.250	.125	1.12	HRSR 125
GA/CSGA -A	7/8 -12 UN	.406	.200	1.12	
GA/CSGA -B	1 -12 UN	.515	.260	1.12	
GA/CSGA -C	1 1/8 -12 UN	.640	.400	1.32	HRSR 175
GA/CSGA -D	1 1/4 -12 UN	.750	.400	1.63	
GA/CSGA -E	1 1/4 -12 UN	.812	.430	1.63	
GA/CSGA -F	1 5/16 -12 UN	.843	.470	1.75	HRSR 200
GA/CSGA -G	1 1/2 -12 UN	.953	.580	1.88	
GA/CSGA -J	1 5/8 -12 UN	1.062	.690	1.88	
GA/CSGA -K	1 3/4 -12 UN	1.172	.800	2.06	HRSR 250
GA/CSGA -L	1 13/16 -12 UN	1.265	.890	2.18	
GA/CSGA -M	2 -12 UN	1.406	1.010	2.32	
GA/CSGA -N	2 1/16 -12 UN	1.515	1.130	2.38	HRSR 300
GA/CSGA -P	2 3/16 -12 UN	1.625	1.200	2.44	
GA/CSGA -R	2 5/16 -12 UN	1.750	1.250	2.75	
GA/CSGA -S	2 11/16 -12 UN	1.875	1.380	2.88	HRSR 400
GA/CSGA -T	2 7/8 -12 UN	2.062	1.560	3.13	
GA/CSGA -V	3 -12 UN	2.187	1.690	3.25	
GA/CSGA -W	3 1/8 -12 UN	2.312	1.810	3.50	HRSR 400
GA/CSGA -AA	3 3/4 -12 UN	2.875	2.380	4.00	

REVISIONS


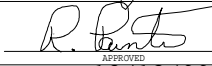
SYM.	DESCRIPTION	DATE	APPROVED
A	RELEASED	12/13/99	C.S.
B	REVISED PER DCN 15671	12/15/99	T.L.
C	REVISED PER DCN 52794	11/01/14	N.D.
D	REVISED PER DCN 54620	03/31/15	M.P.
E	REVISED PER DCN 54786	04/09/15	ACM
F	REVISED PER DCN 72885	10/11/18	N.D.



NOTES:

- ASSEMBLY IDENTIFIED WITH MANUFACTURER'S NAME AND P/N, SPACE PERMITTING.
- GLENAIR 600 SERIES BACKSHELL ASSEMBLY TOOLS ARE RECOMMENDED FOR ASSEMBLY AND INSTALLATION.
- $\triangle 3$  SUGGEST TUBING SIZE BEFORE APPLYING ADHESIVE. TUBING I.D MUST ACCOMMODATE REAR ADAPTER AFTER APPLIED ADHESIVE.
- MATERIAL/FINISH:  
 ADAPTER - AL ALLOY/CAD/O.D. OVER ELECTROLESS NICKEL (500 HR SALT SPRAY)  
 FERRULE, GROUNDING SPRING - CRES/PASSIVATE  
 TUBING - HEAT-SHRINKABLE, FLAME RETARDANT WITH ADHESIVE.

THIS COPYRIGHTED DOCUMENT IS THE PROPERTY OF GLENAIR, INC. AND IS FURNISHED ON THE CONDITION THAT IT IS NOT TO BE DISCLOSED, REPRODUCED IN WHOLE OR IN PART, OR USED TO SOLICIT QUOTATIONS FROM COMPETITIVE SOURCES, OR USED FOR MANUFACTURE BY ANYONE OTHER THAN GLENAIR, INC. WITHOUT WRITTEN PERMISSION FROM GLENAIR, INC. THE INFORMATION HEREIN HAS BEEN DEVELOPED AT GLENAIR'S EXPENSE AND MAY BE USED FOR ENGINEERING EVALUATION AND INCORPORATION INTO TECHNICAL SPECIFICATIONS AND OTHER DOCUMENTS WHICH SPECIFY PROCUREMENT OF PRODUCTS FROM GLENAIR, INC.

UNLESS OTHERWISE SPECIFIED	DRAWN	T. LE	02/03/98	<b>GLENAIR, INC.</b> CAD 1998 $\circ$	
DIMENSIONS ARE IN INCHES	CHECK	R. PAINTER	02/03/98		
TOLERANCES:	ENGR	A. WU	02/03/98		
FRACTIONS	 APPROVED		GLENAIR CABLE SHIELD GROUNDING ADAPTERS, MALE GA/CSGA		
DECIMALS	 APPROVED				
ANGLES					
DO NOT SCALE THIS DRAWING	RELEASE DATE	12/13/99	CODE IDENT. NO.	SIZE	REV.
	ORIGINAL	02/04/98	06324	C	GA/CSGA
B/F 98-5510	P/C 460	NON REPARABLE COMMERCIAL ITEM	SCALE N/A	WEIGHT N/A	SHEET 1 OF 1

## X-ON Electronics

Largest Supplier of Electrical and Electronic Components

*Click to view similar products for [Cable Mounting & Accessories](#) category:*

*Click to view products by [Glenair](#) manufacturer:*

Other Similar products are found below :

[582603-1](#) [009333-000](#) [727844N003](#) [747](#) [809090N001](#) [843188-000](#) [8666](#) [967279N002](#) [DB-11](#) [1300840039](#) [1300900096](#) [1301800416](#)  
[1302264450](#) [1300830184](#) [1300830729](#) [1300900039](#) [1301580036](#) [1301850553](#) [1301860939](#) [1302000074](#) [1302261315](#) [1302264431](#)  
[1337706-2](#) [APA18-AK](#) [1724](#) [1-787307-1](#) [185491N001](#) [1868](#) [HP-6N](#) [C-202-C](#) [202C221-13-0](#) [CA7308-000](#) [8S23-75FR-CS8184](#) [2684](#) [9648](#)  
[3089](#) [988382-000](#) [A72821-000](#) [AA401](#) [173506-000](#) [202C292-13-0](#) [202C302-13-0](#) [2109](#) [300625](#) [3330](#) [3412](#) [M9142](#) [M9143](#) [529732-000](#)  
[561-50D1187](#)